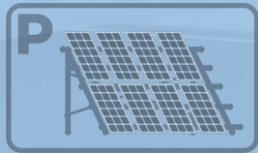


Kinetic Solar Gen 3 Adjustable Ground Mount



Gen 3 Adjustable Ground Mount

The Gen 3 Adjustable Ground Mount features ten tilt options between 0-60 degrees. This adjustable rack allows the panels to maximize their performance for optimal summer and winter solar exposure. The Winter 60° tilt allows for snow shedding, reducing clearing maintenance.

Material

A-Frame	Galvanized Steel
Klein & Deckel Rail	Galvanized Steel Mill Aluminum
Hardware	Zinc Plated

Warranty

The new Adjustable Ground Mount is part of the Kinetic product line which is covered by up to a 20-year limited warranty. See the warranty document on our website for more details.

Certifications

The new Adjustable Ground Mount is permit-ready with pre-engineered stamped regional drawings independently verified by a professional structural engineer.

Versatile



The Adjustable Ground Mount accommodates modules up to 2450mm x 1303mm, and offers ten angle tilt adjustments. The Winter angle (60°) encourages snow shedding. Engineered for a wind load of up to 1.0 kPa, and a snow load of 2.5 kPa. The heavy-duty hot-dip galvanized steel offers strength and longevity.

Easy Install



Supports the use of standard Kinetic Clamps and K-Nut accessories, and it is easily assembled using datums.

Local Availability



The complete racking is stored and shipped on a single pallet, making it easier to stock locally.

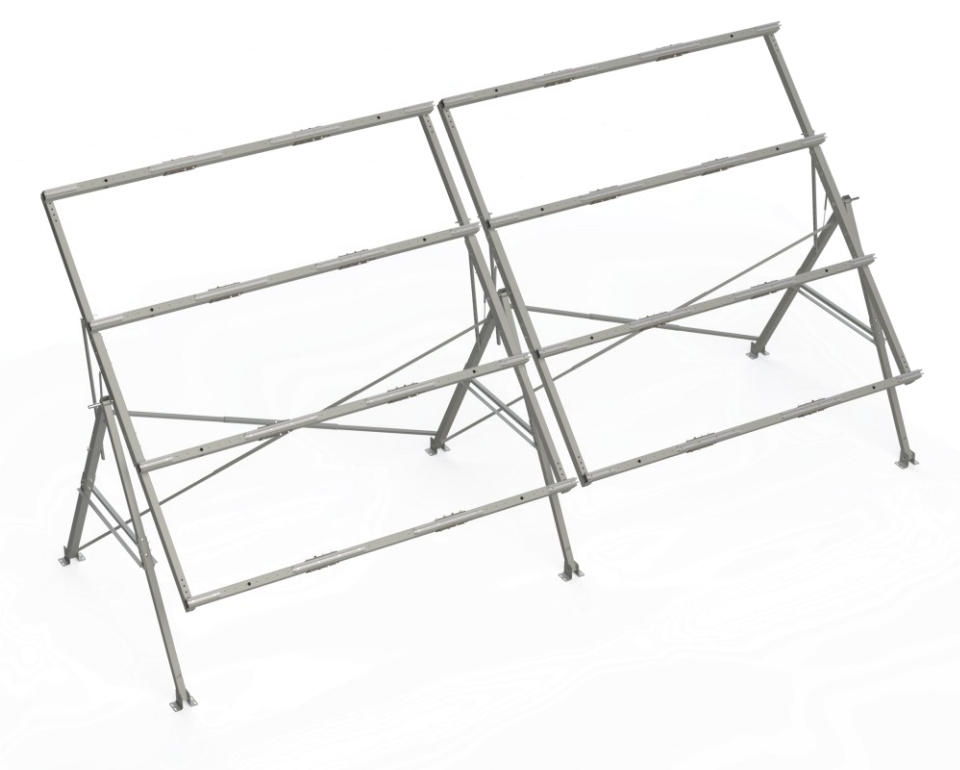
New Modular Rail Design



UL 2703
TIL No. A-40

Toll Free: 1-855-665-3755
Tel: 416-665-3755
1-65 Martin Ross Ave,
North York, ON M3J 2L6
kineticsolar.com



SKU	A-Frames	Adjustable Ground Mount 0° / 10° / 15° / 20° / 25° / 30° / 35° / 45° / 50° / 60°
K3AGM6-G	2	
K3AGM8-G	2	
K3AGM10-G	3	
K3AGM12-G	3	
K3AGM14-G	3	
K3AGM16-G	3	
K3AGM18-G	4	
K3AGM20-G	4	
K3AGM22-G	4	
K3AGM24-G	5	
K3AGM26-G	5	
K3AGM28-G	5	
K3AGM30-G	6	
K3AGM32-G	6	
K3AGM34-G	6	
K3AGM36-G	7	
K3AGM38-G	7	
K3AGM40-G	7	
K3AGM42-G	8	
K3AGM44-G	8	
K3AGM46-G	8	

For Panels 1134 x 2400 mm

Can also accommodate 1303mm panels, please contact us for more information.

System Details



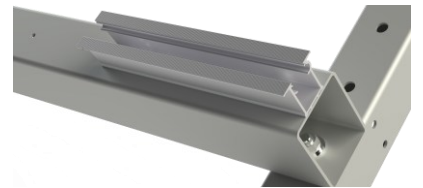
Feet



Modular Construction



Angle Adjustment



Klein & Deckel Rail

Kinetic Solar

Kinetic Solar is a trusted North America-based manufacturer with 45+ years of experience. Our signature K-Rack™ product line is recognized within the industry for its ease of installation, superior quality.



The Specifications and key features contained in this datasheet may deviate slightly from our actual products due to ongoing innovation and product enhancement. Kinetic Solar reserves the right to make necessary adjustments to the information described here at any time. We ask that any K-Rack™ product should be handled by qualified professionals during installation and that all installation instructions are followed as per our installation guide.

© July 2025 R1. All rights reserved, Adjustable Ground Mount Cut Sheet



UL 2703
TIL No. A-40

Toll Free: 1-855-665-3755
Tel: 416-665-3755
1-65 Martin Ross Ave,
North York, ON M3J 2L6
kineticsolar.com

