

B4i Standard 4-Cell, Battery Boxes

Protect your equipment

Perfect for indoor or outdoor use providing protection to personnel and equipment against access to hazardous parts. Enclosures provide batteries protection against ingress of solid foreign objects, falling dirt and windblown dust, the ingress of water, rain, sleet, snow, splashing water, and hose directed water.

- NEMA 4 Enclosure
- Suitable for either indoor or outdoor use
- Piano hinged lid
- Southco fastener
- Lockable clasps
- Powder coat grey
- 1.5" rigid exposed insulation
- 14 gauge steel

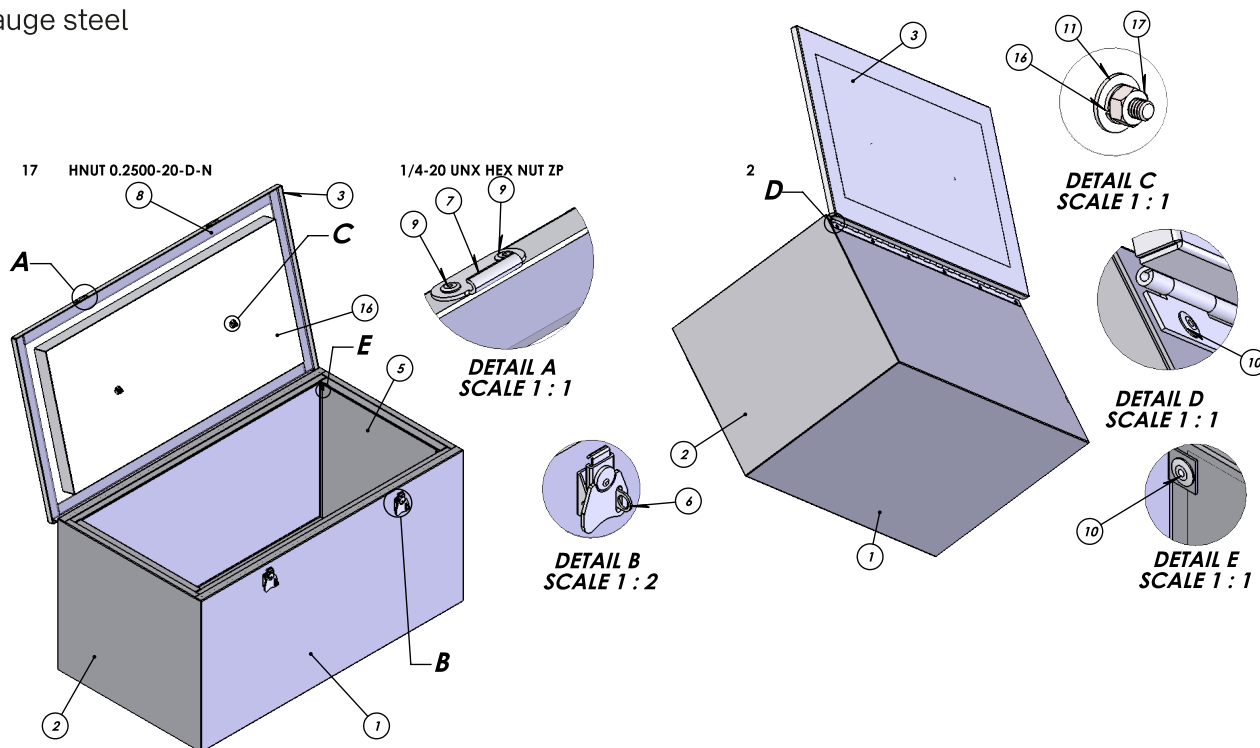


B4i

- NAT-1002
- Holds 4

Specifications

	Weight Lbs.	Outside L x W x H	Inside L x W x H
B4i	66	32 x 17.5 x 16.5	28.75 x 14.25 x 13.5



Item No.	Description	QTY.
1	Main Body Back/Sides	1
2	End Panels	2
3	Door Panel	1
16	Door Inner Liner Insulation Panel	1
5	Body Inner Liner Insulation Panel	1
6	Latch	2
7	Keeper	2
8	3/16" x 1" Wide Closed Cell Neoprene Gasket	1
9	ø.125 Stainless Steel Pop Rivet, Grip .100 to .180	8
10	ø.1875 Stainless Steel Pop Rivet, Grip .100 to .220	10
11	Flat 1/4" Washer Zip	2
12	Insulation Base	1
13	Insulation Front and Back	2
14	Insulation Sides	2
15	Door Insulation	1
16	1/4" Flat Washer ZP	2
17	1/4-20 UNC Hex Nut ZP	2

Zone	REV.	Description	Date	Approved
	A	Initial Prototype Design	180108	AL
	B	Added Foam Insulation in Door Liner and Sides	110112	AL

Purchase these now on the BayWa r.e. web shop.



BayWa r.e.
r.e.think energy