



X5 Model

240 V | 30 A | 7.2 kW

Extremely sturdy and made in Canada, our FLO Home™ X5 residential smart charging station lets you view and manage settings from your private FLO account.



Connected

Track your data usage, access smart features like Charging Schedule and experience real time charging with the FLO app



Future-proof

Automatic software update and easy addition of a 2nd X5 on the same breaker



Quality Cable and Connector

25' commercial grade cable that ensures resilient flexibility



High quality universal connector built to last 10 years +

Robust Casing

Made of 100% aluminum with a highly resistant finish



Built-in Security

Safe for your electric vehicle and your home



**3-Year
Warranty**


**Made in
Canada**

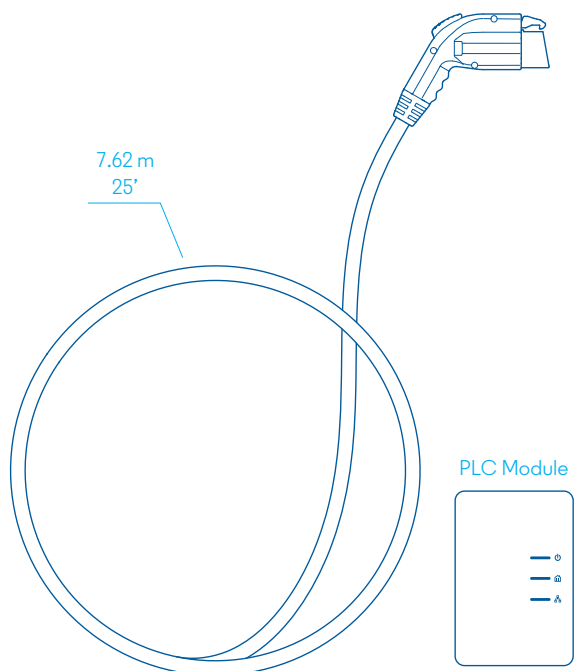
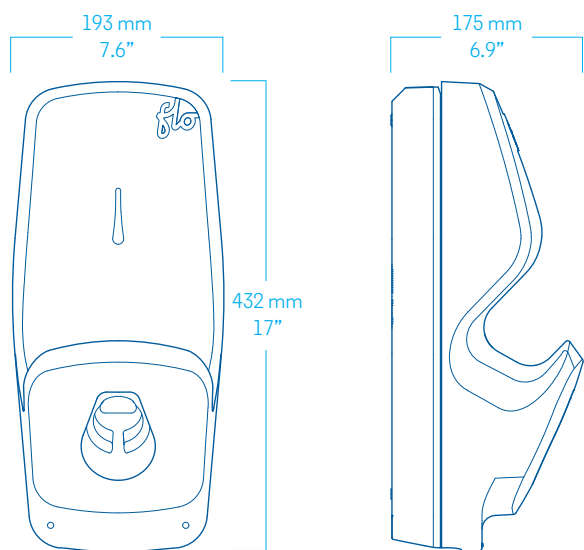
Certified 

Designed and manufactured by AddÉnergie

flo.ca

Technical Specifications

X5 Model



Type
Level 2 Charging Station

Casing
100% aluminum
NEMA 4X certified
Designed for outdoor or indoor installation

Finish
Metallic Grey with high resistance coating

Power Sharing
Included

Charging Schedule
Included

Voltage
208 - 240 V @ 60 Hz

Output Current
Adjustable from 6 to 30 A

Charging Power
6.2 - 7.2 kW

Cable
7.62 m / 25' ultra flex cable

Certification



Central Office
7420, Airport Road West, Suite 106
Mississauga (Ontario) L4T 4E5
1-855-543-8356

Eastern Office
2327, Versant Nord boulevard, Suite 120
Quebec (Quebec) G1N 4C2
1-855-543-8356

Charging Connector
SAE J1772™ designed to withstand 10,000+ charging cycles

Security Features
Integrated GFCI circuit breaker
20mA, 3 reset attempts at 15-minute intervals

Operating Temperature
-40 °C to 50 °C
-40 °F to 122 °F

Wall Bracket
Included

Installation
Must be installed by a qualified electrician

Weight
11.23 kg / 24.76 lb

Warranty
3 years

Communication Interface
“HomePlug” power-line communication
*PLC module included

Model Number
FH-1-STA-X5-HY5N-FL1

Conformity

FC CAN ICES-3 (B)/NMB-3(B)
In conformity with:
IC: NMB - 006