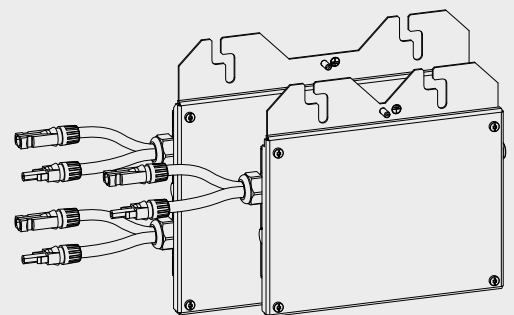


## Rapid Shutdown Box - Duo Rapid Shutdown Box - Quattro

EN-US	Installation Instructions
	Balance of System
ES-MX	Instrucciones de instalación
	Balance of System
FR	Instructions d'installation
	Balance of System





# Contents

General .....	5
Safety .....	5
FCC / RSS Compliance .....	6
Device concept .....	6
System Limitations .....	7
Maximum Distance Between the Rapid Shutdown Box and the PV Array .....	7
Technical Data .....	7
Compatibility with Inverters .....	8
Service code 307 on the inverter .....	9
Initiating Rapid Shutdown .....	9
Resetting after Rapid Shutdown .....	9
Installing the Rapid Shutdown Box .....	10
Drilling pattern .....	11
Mounting the Rapid Shutdown Box - Duo on a rail .....	11
Attaching the Rapid Shutdown Box to the wall .....	11
Connecting the Rapid Shutdown Box .....	13
Wiring of the Rapid Shutdown Box - Duo .....	13
Connecting the wires Rapid Shutdown Box - Quattro .....	14
Connecting a MC4-Y-Connector .....	15
Connecting several Rapid Shutdown Boxes .....	15
Connecting the wires to the Terminals .....	16
Connecting the Rapid Shutdown Box to an Inverter .....	16
Connecting the Rapid Shutdown Box Grounding .....	17
Connecting the Rapid Shutdown Box to an Emergency Stop Button .....	18
Connecting the Rapid Shutdown Box to a Fronius Primo 10.0 / 11.4 / 12.5 / 15.0 .....	18



## Safety



**WARNING!** Incorrect operation and incorrectly performed work can cause serious injury and damage to property. Only qualified staff are authorized to commission the Rapid Shutdown Box (RSB) and only within the scope of the respective technical regulations. Read the safety rules before installing and performing maintenance work.



**WARNING!** Work performed incorrectly can cause serious injury and damage. The Rapid Shutdown Box should only be installed and connected by licensed electricians. Follow the safety rules! Before any installation or connection work is carried out, disconnect the AC supply to the inverter and the DC supply to the Rapid Shutdown Box.



**WARNING!** An electric shock can be fatal. Inadequately sized electrical components can cause serious injury and damage to property.

- All electrical connections must be made in accordance with the National Electrical Code, ANSI/NFPA 70, and any other regulations applicable to the installation site.
- Installations in Canada must be carried out in accordance with applicable Canadian standards.
- Use copper wire for all spring clamp terminals.
- Use min. 194°F (90°C) copper wire for all grounding wires and DC Output wires.
- See NEC table 250.122 for proper ground wire sizing.
- Voltage drop and other considerations may mean larger cable cross sections need to be used.

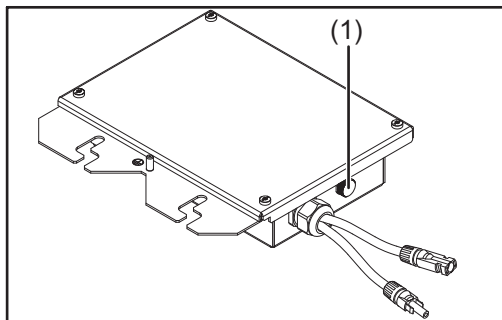


**WARNING!** An inadequate ground conductor connection can cause serious injury and damage to property. The housing screws provide an adequate ground conductor connection for grounding the housing and should not be replaced under any circumstances by other screws that do not provide a reliable ground conductor connection.

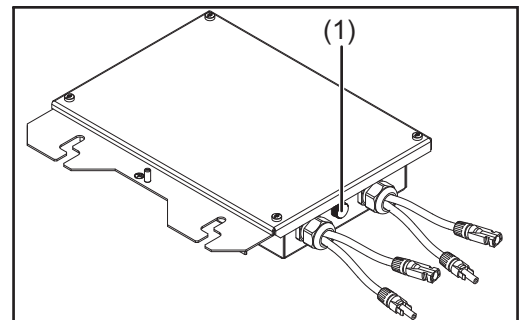


**CAUTION!** The following points must be observed in order to prevent damage to the Rapid Shutdown Box:

- The technical specifications must be followed.
- The pressure compensation membrane (1) must not be used for cabling.



Rapid Shutdown Box - Duo



Rapid Shutdown Box - Quattro



**NOTE!** Photovoltaic modules exposed to light supply energy to the Rapid Shutdown Box when connected.



**NOTE!** When installing outdoors, only use waterproof conduit fittings and conduits. Conduit fittings and conduits are not included in the Rapid Shutdown Box's scope of supply. Conduit fittings must always be installed with a locking nut. Ensure that the conduit fittings are installed and sealed correctly.



**NOTE!** When connecting DC cables, ensure the polarity is correct.

**IMPORTANT!** The system status indicator (inverter) shall be installed in a location in close proximity to the system initiator, where the indication of safe shutdown can be clearly seen. If the rapid shutdown initiation is loss of AC, the inverter acts as system initiator and indicator.

---

## FCC / RSS Compliance



### FCC

This device corresponds to the limit values for a digital device of class B in accordance with Part 15 of the FCC regulations. The limit values should provide adequate protection against harmful interference in homes. This device creates and uses high frequency energy and can interfere with radio communications when not used in accordance with the instructions. However, there is no guarantee against interference occurring in a particular installation.

If this device interferes with radio or television reception when turning the device on and off, it is recommended that the user solve this with one or more of the following measures:

- adjust or reposition the receiving antenna
- increase the distance between the device and the receiver
- connect the device to another circuit, which does not include the receiver
- for further support, please contact the retailer or an experienced radio/TV technician.

### Industry Canada RSS

The device corresponds to the license-free Industry Canada RSS standards. Operation is subject to the following conditions:

- (1) The device may not cause harmful interference
- (2) The device must accept any interference received, including interference that may cause undesired operation.

---

## Device concept

The Rapid Shutdown Box provides a convenient and safe way to comply with Article 690.12 in the 2014 Edition of the National Electrical Code. The device is powered directly by the PV array and is controlled depending on the state of the signal port. This signal port can be controlled by a relay terminal in the inverter. The use of a DC relay, which also functions as a switch-disconnector, ensures that the PV array is galvanically isolated in the case of a Rapid Shutdown.

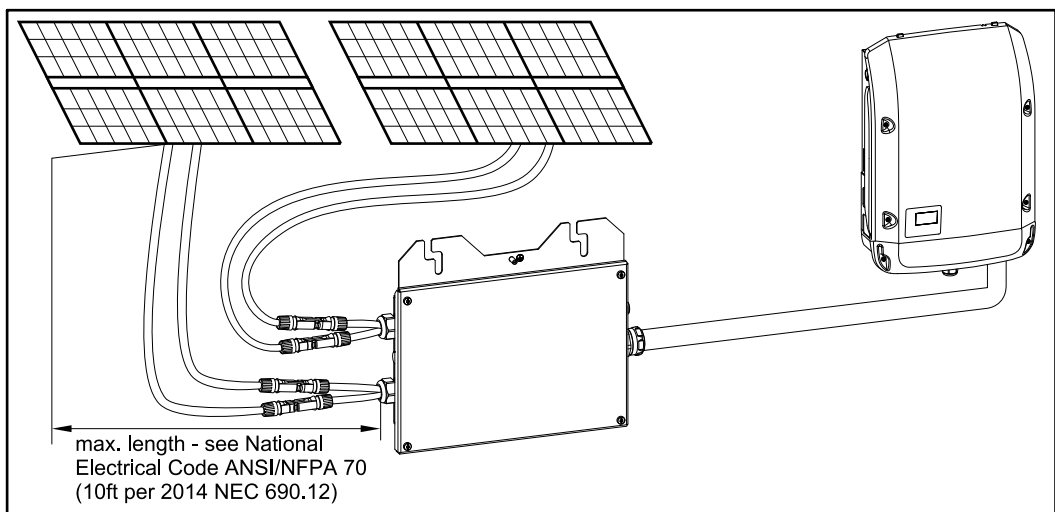
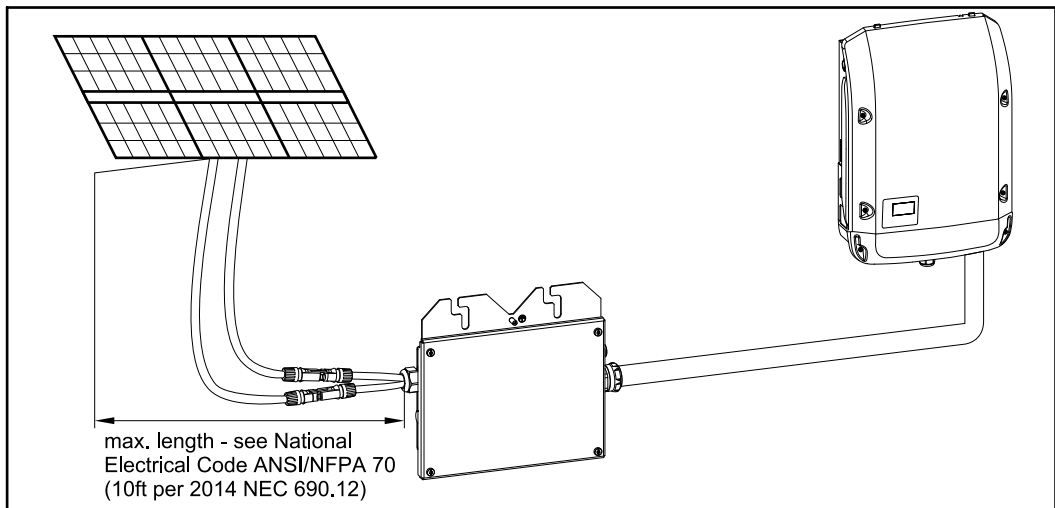
The Rapid Shutdown Box ensures that residual energy in the capacitors of the inverter is discharged within the required time period. To ensure that the entire system functions correctly, the signal ports of all Rapid Shutdown Boxes must be serially connected (see section "Connecting the Rapid Shutdown Box"). For this purpose, Duo and Quattro variants of the device and also the discontinued versions RSB Single and RSB Multi can be mixed randomly.

The Rapid Shutdown can be initialized by means of AC failure if the signal lines are connected to the inverter. Alternatively or additionally, an emergency stop button that interrupts the signal wires can be used.

**System Limitations**

- Maximum number of Rapid Shutdown Boxes per inverter: 5
- Maximum line resistance permitted in the signal loop: 300 Ω
- Maximum permissible wire length for signal loop using AWG 14, 16, 18 or 20: 3200ft (1000m)

**Maximum Distance Between the Rapid Shutdown Box and the PV Array**



**Technical Data**



	RSB Duo	RSB Quattro
Max. voltage	600 V DC	
Start voltage	80 V DC	
Max. input current	25 A	25 A / 25 A
Power supply	DC (from the PV array)	
Self-consumption during operation	2 W	
Permissible operating temperature	-40° F to +149° F (-40° C to +65° C)	
Permissible humidity	0 - 100 % (not condensing)	
Max. altitude	13,123 ft. (4000 m)	

Max. number of <i>Controlled</i> circuits (per NEC)	1	2
Enclosure type	NEMA 4X	
Device dimensions h x w x d	11.26 x 9.7 x 2.62 in. (286 x 246,5 x 66,6 mm)	13.82x11.54x2.62 in. (351 x 293 x 66,6 mm)
Shipping dimensions h x w x d	13 x 12 x 5.9 in. (330x305x150 mm)	13.78x11.81x6.1in. (350x300x155 mm)
Shipping weight	5.95 lbs. (2,7 kg)	8.16 lbs. (3,7 kg)
Standards and regulations	UL1741; LTR AE-004-2015; FCC15 Class B	

### Compatibility with Inverters

Inverter	Rapid Shutdown Box – Duo	Rapid Shutdown Box – Quattro
Fronius Galvo 1.5-1 208-240		
Fronius Galvo 2.0-1 208-240		
Fronius Galvo 2.5-1 208-240		
Fronius Galvo 3.1-1 208-240		
Fronius Primo 3.8-1 208-240		
Fronius Primo 5.0-1 208-240		
Fronius Primo 6.0-1 208-240		
Fronius Primo 7.6-1 208-240		
Fronius Primo 8.2-1 208-240		
Fronius Primo 10.0-1 208-240 *)		
Fronius Primo 11.4-1 208-240 *)		
Fronius Primo 12.5-1 208-240 *)		
Fronius Primo 15.0-1 208-240 *)		
Fronius Symo 10.0-3 208-240		
Fronius Symo 12.0-3 208-240		
Fronius Symo 15.0-3 208	-	-
Fronius Symo 10.0-3 480 **)		
Fronius Symo 12.5-3 480 **)		
Fronius Symo 15.0-3 480 **)		
Fronius Symo 17.5-3 480 **)		
Fronius Symo 20.0-3 480 **)		
Fronius Symo 22.7-3 480 **)		



Fronius Symo 24.0-3 480 **)		
-----------------------------	--	---



\*) Initiation via loss of AC only with Power stage SW2 version 0.6.34.4 or greater. See section Connecting the Rapid Shutdown Box to Primo 10.0 - 15.0 for installation details

\*\*) maximum DC voltage: 600 V

### Service code 307 on the inverter

#### Service code 307 on the display of the inverter:

Description: At the input, the inverter identifies a DC voltage too low for the grid power feed operation. If the service code occurs for a lengthy period of time in spite of solar radiation, the following steps can help discover the error:

- Check the position of the DC disconnect at the inverter - it should be ON
- Read the DC voltage on the display or measure it at the inverter terminals
  - If the DC voltage is 0 V, this means that either the Rapid Shutdown Box is not supplied with power from the pv array or there is no electrical connection between the Rapid Shutdown Box and the inverter. Check DC cabling including Rapid Shutdown Box inputs. **Rapid Shutdown Box Quattro: At least one string has to be connected at input 1.**
  - If the DC voltage is approximately 28 V, this means that the Rapid Shutdown Box is supplied with power and is waiting for approval at the signal ports. Check cabling of the signal loop and position of any switches in the signal loop.
- If the service code still occurs in spite of solar radiation, contact your system engineer.

### Initiating Rapid Shutdown

#### Depending on the configuration and the installation situation on site there are two possibilities to initiate Rapid Shutdown:

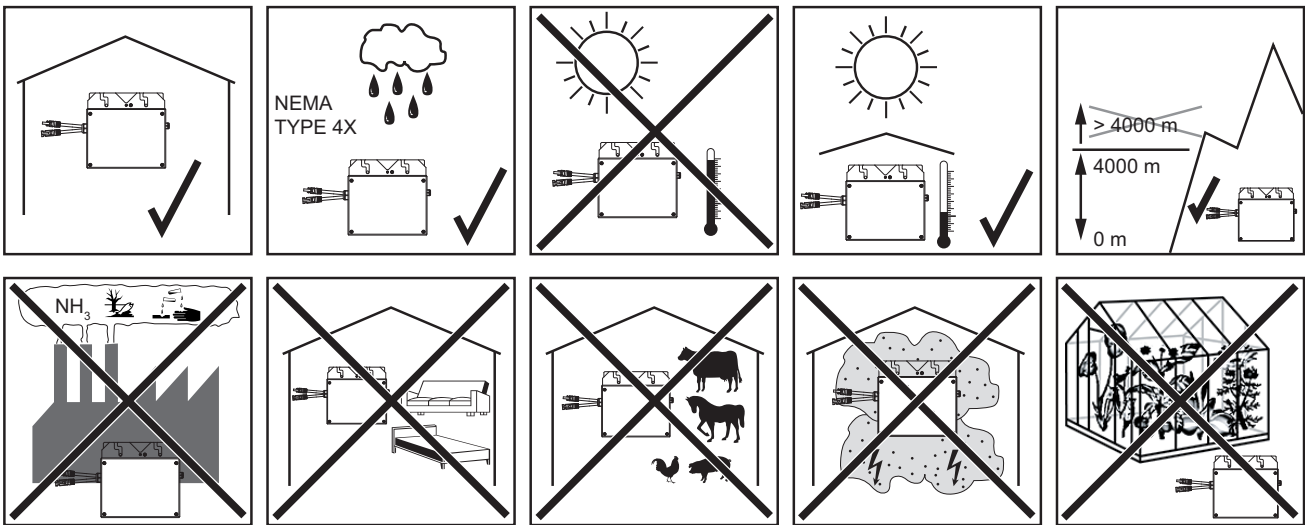
- **Via loss of AC:** If you connected the Signal loop to the inverter (see section Connecting the Rapid Shutdown Box to an Inverter at page 16), you can initiate Rapid Shutdown by disconnecting the AC connection of the inverter (e.g. at the service panel). In such a case the inverter detects the loss of AC and triggers the Rapid Shutdown Boxes in order to isolate the PV array from the controlled conductors and discharge them.
- **Via external switch:** If the initiation via loss of AC is not suitable or additional possibilities are required, you can install external switches in the Signal loop (see section Connecting the Rapid Shutdown Box to an Emergency Stop Button at page 18) If so, Rapid Shutdown can be initiated by pressing one of those switches to trigger the Rapid Shutdown Boxes in order to isolate the PV array from the controlled conductors and discharge them.

### Resetting after Rapid Shutdown

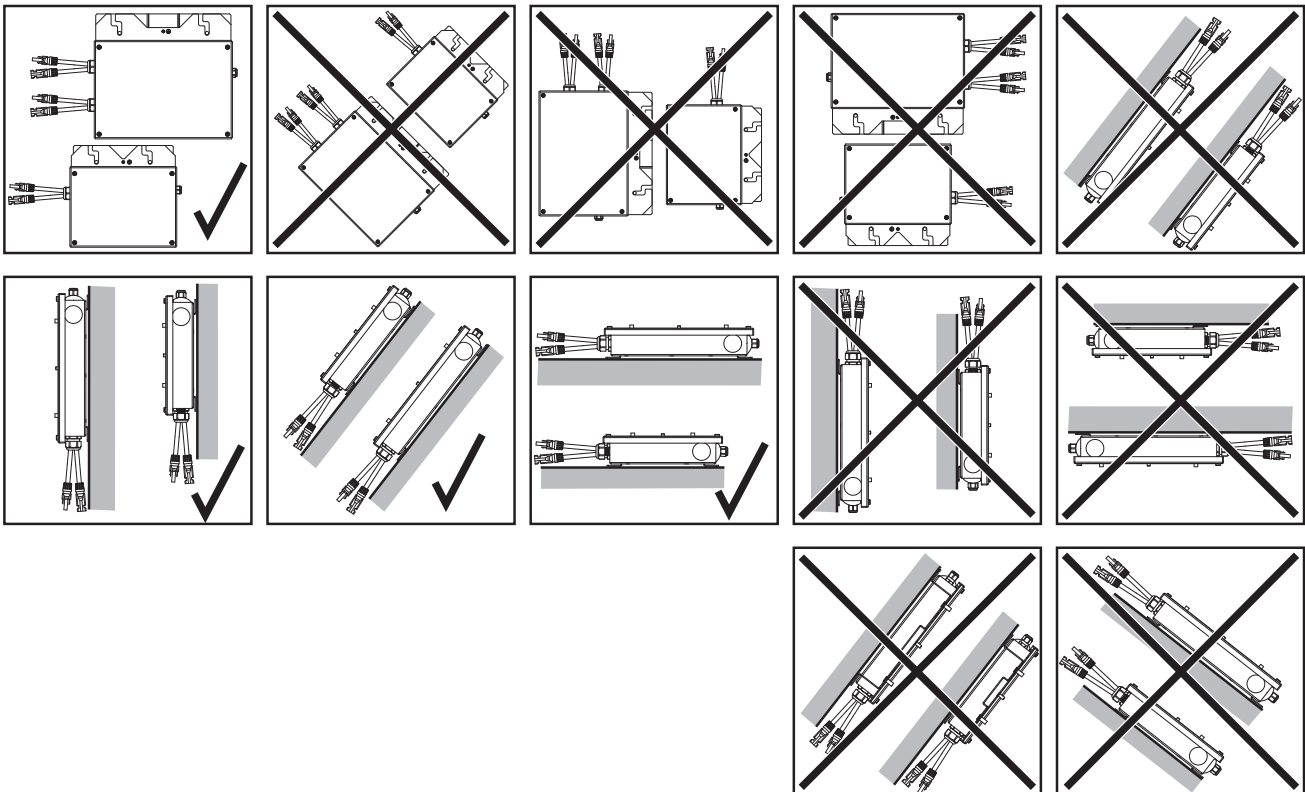
In order to start-up a PV system after Rapid Shutdown:

- If the Signal loop is connected to the inverter, AC must be present to restart.
- Release the switch that was used to initiate Rapid Shutdown in the first place to the closed position
- Check all other external switches installed in the Signal loop for correct position (closed)

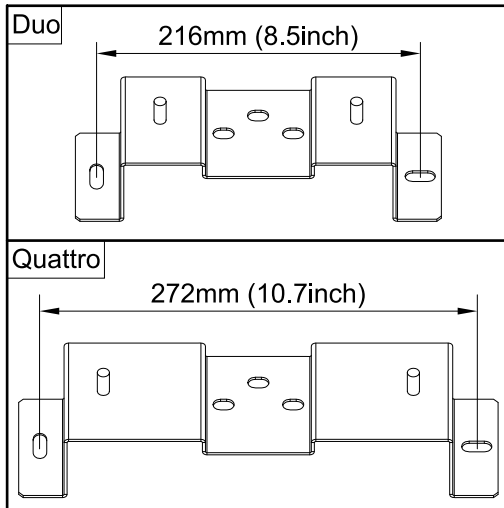
# Installing the Rapid Shutdown Box



## Possible mounting positions for outdoor use:



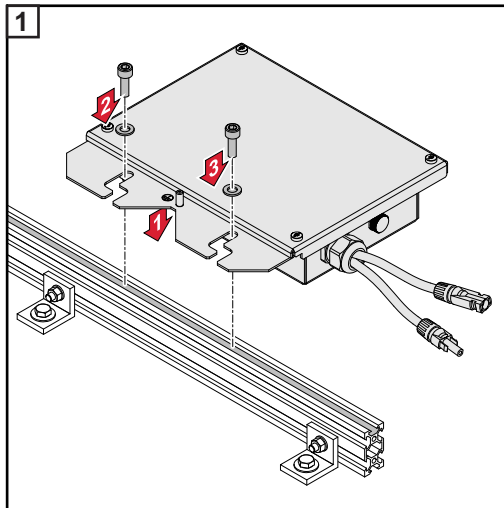
**Drilling pattern**



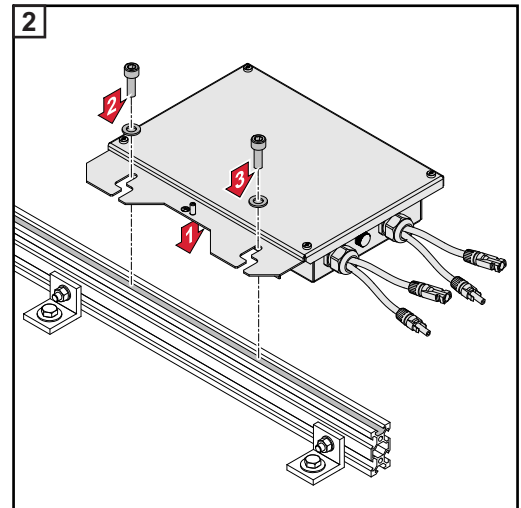
Nameplate and warning labels should be accessible after mounting.

**Mounting the Rapid Shutdown Box - Duo on a rail**

**IMPORTANT!** When mounting the Rapid Shutdown Box on a rail it is recommended to fix the rail in an elevated position for increased installation comfort.

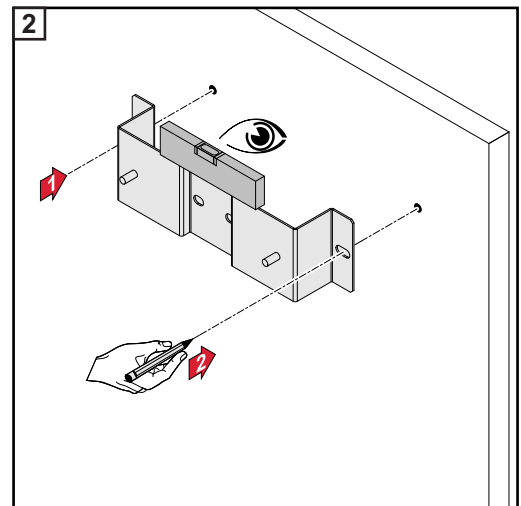
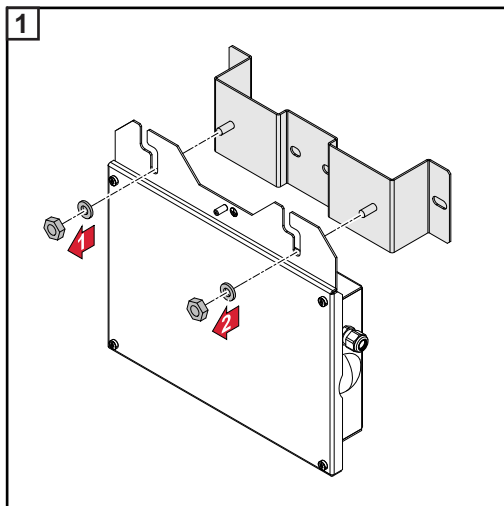


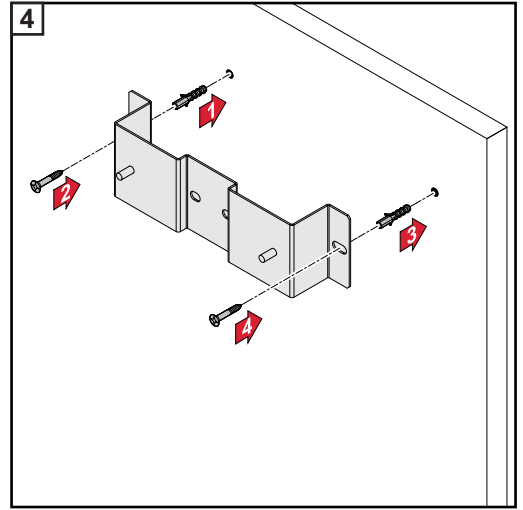
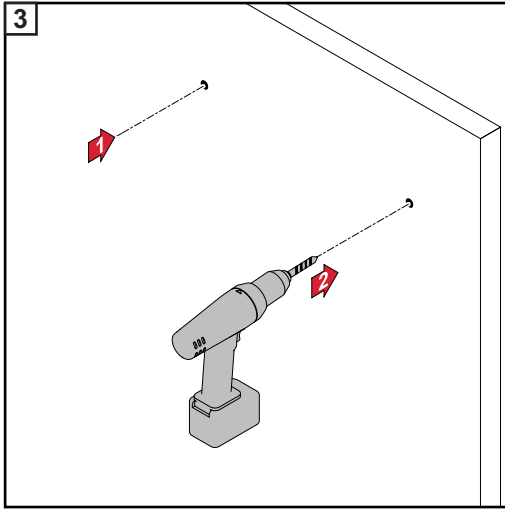
*Rapid Shutdown Box - Duo*



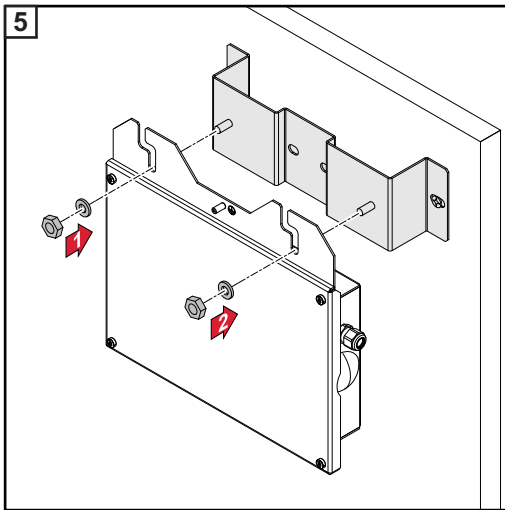
*Rapid Shutdown Box - Quattro*

**Attaching the Rapid Shutdown Box to the wall**



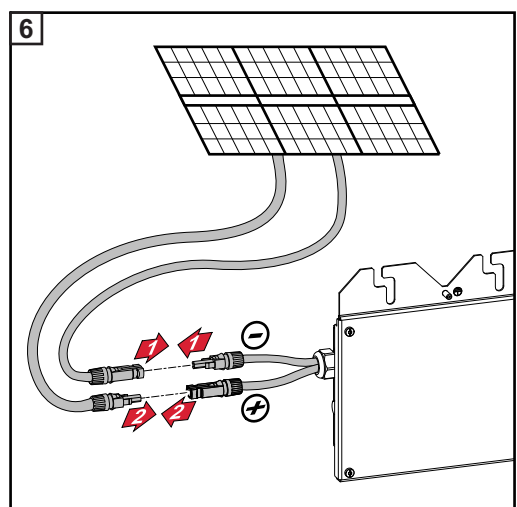
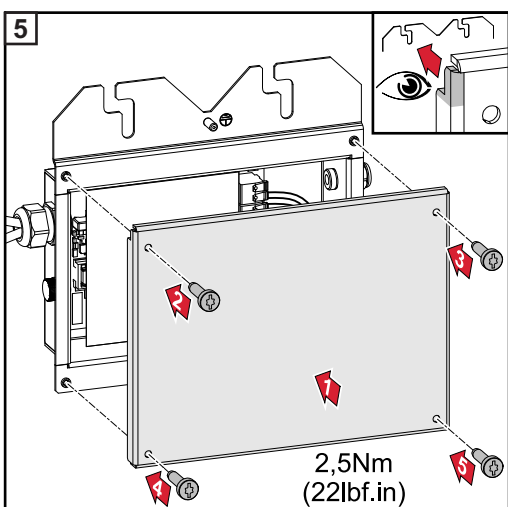
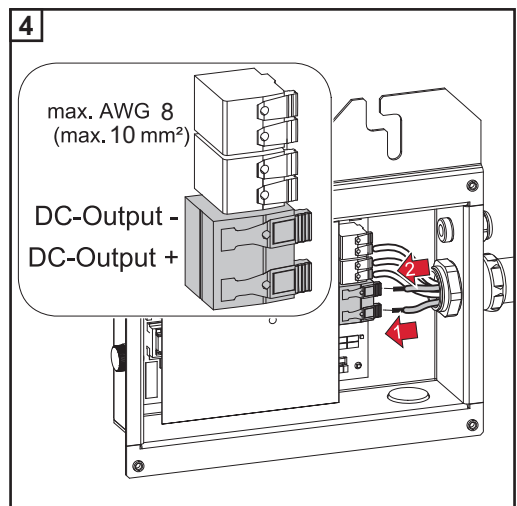
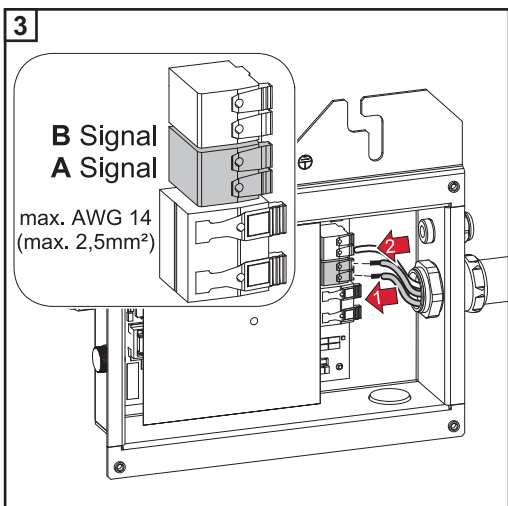
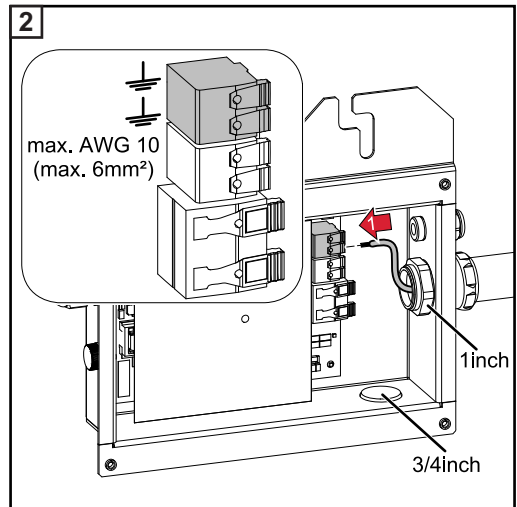
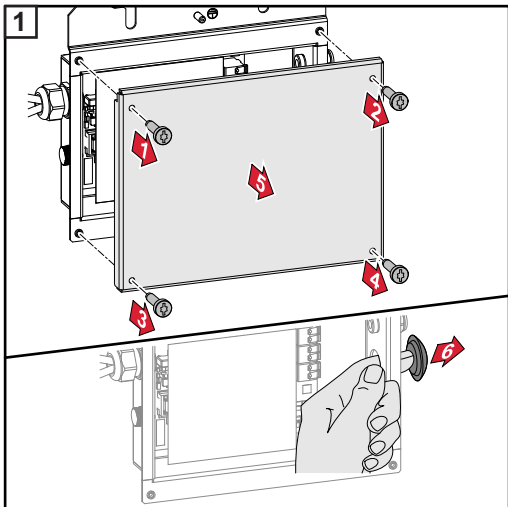


*Fasteners not included*



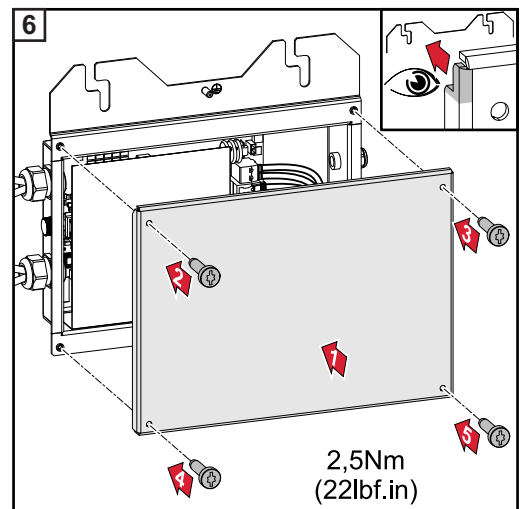
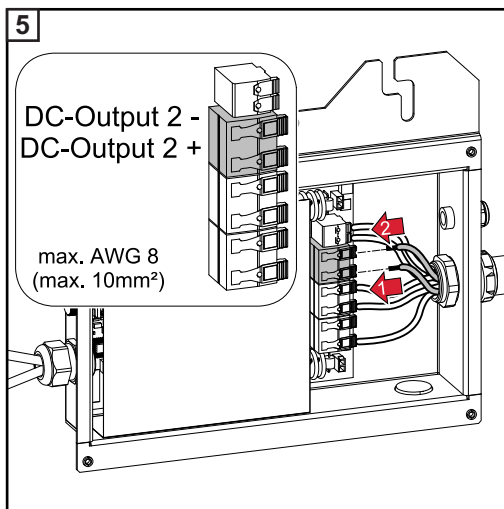
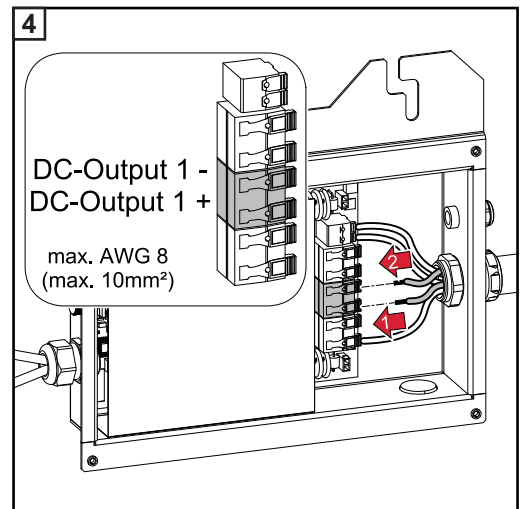
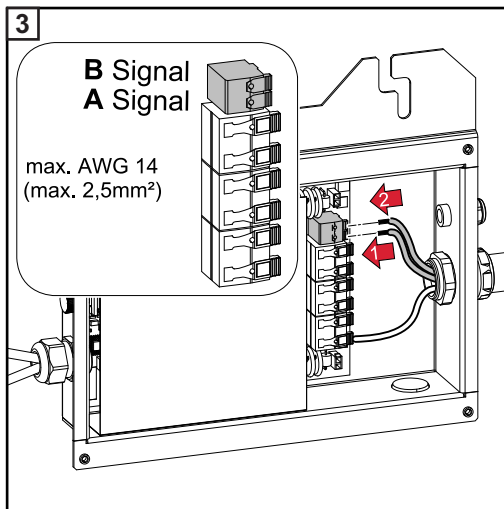
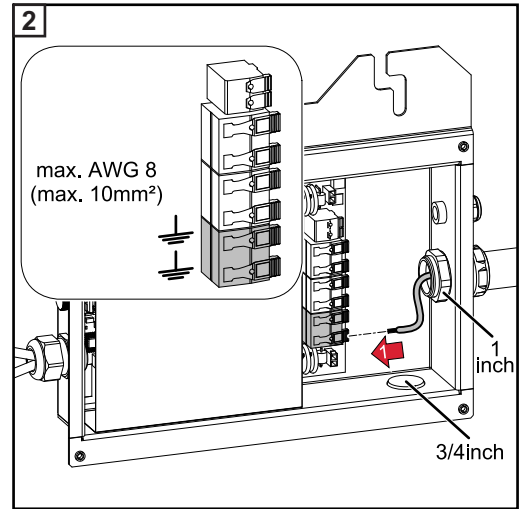
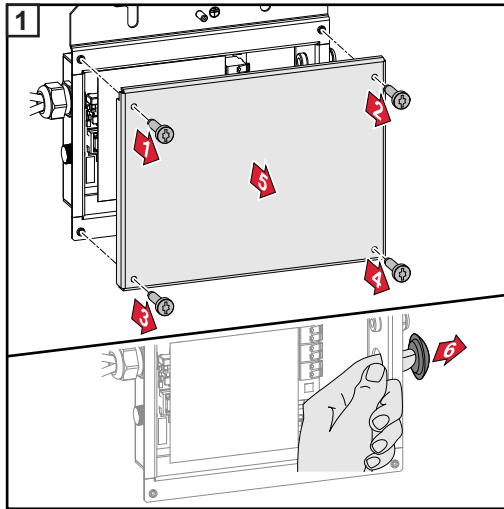
# Connecting the Rapid Shutdown Box

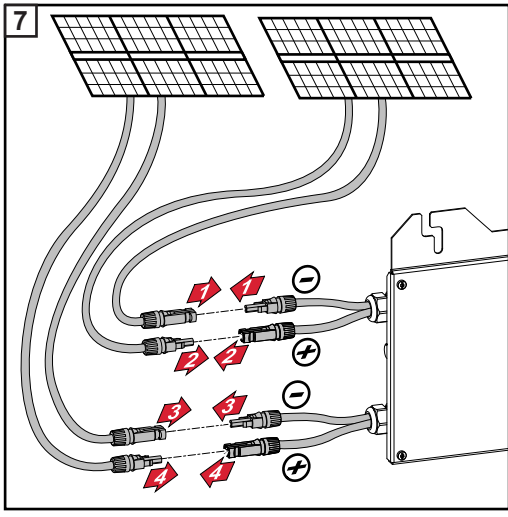
## Wiring of the Rapid Shutdown Box - Duo



**Connecting the wires Rapid Shutdown Box - Quattro**

**IMPORTANT! Using 2 strings at least one string must be connected to input 1 because the Rapid Shutdown Box gets the supply from this input.**

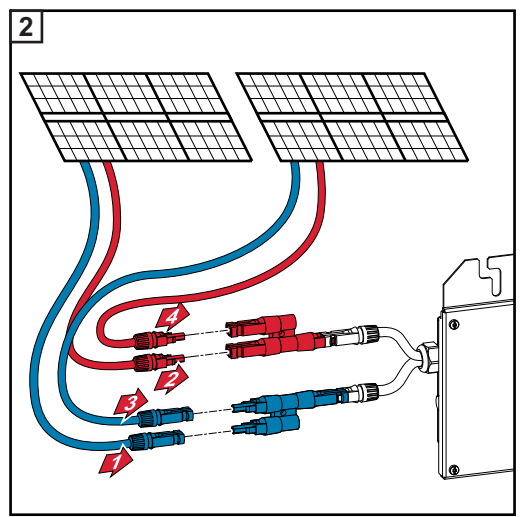
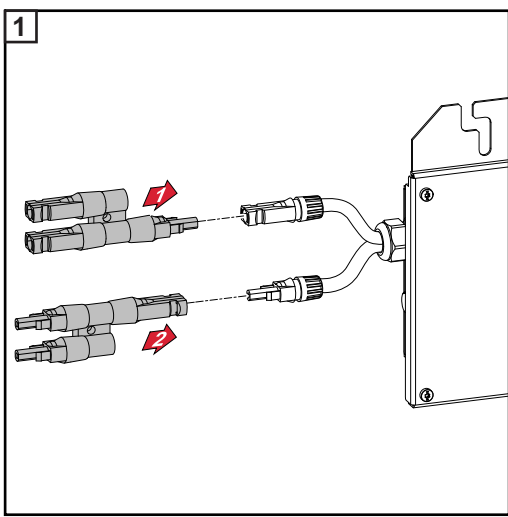




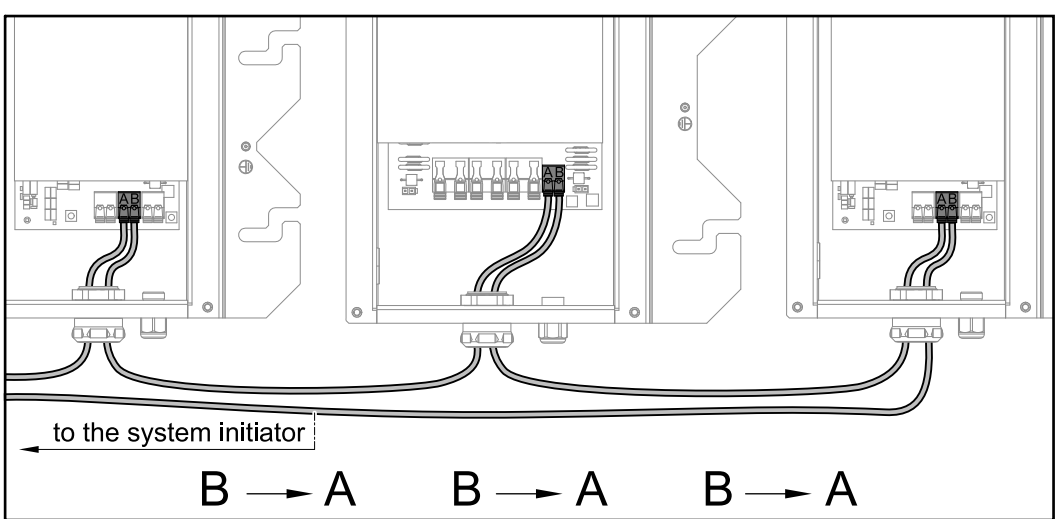
If other connectors than MC4 (Stäubli) shall be used in conjunction with the Fronius Rapid Shutdown Box it is recommended to cut the preconfigured MC4 connectors and to be replaced by preferred connector brand using proper tools and methods. Removal of the hole cable set is not recommended and will void warranty

**Connecting a MC4-Y-Connector**

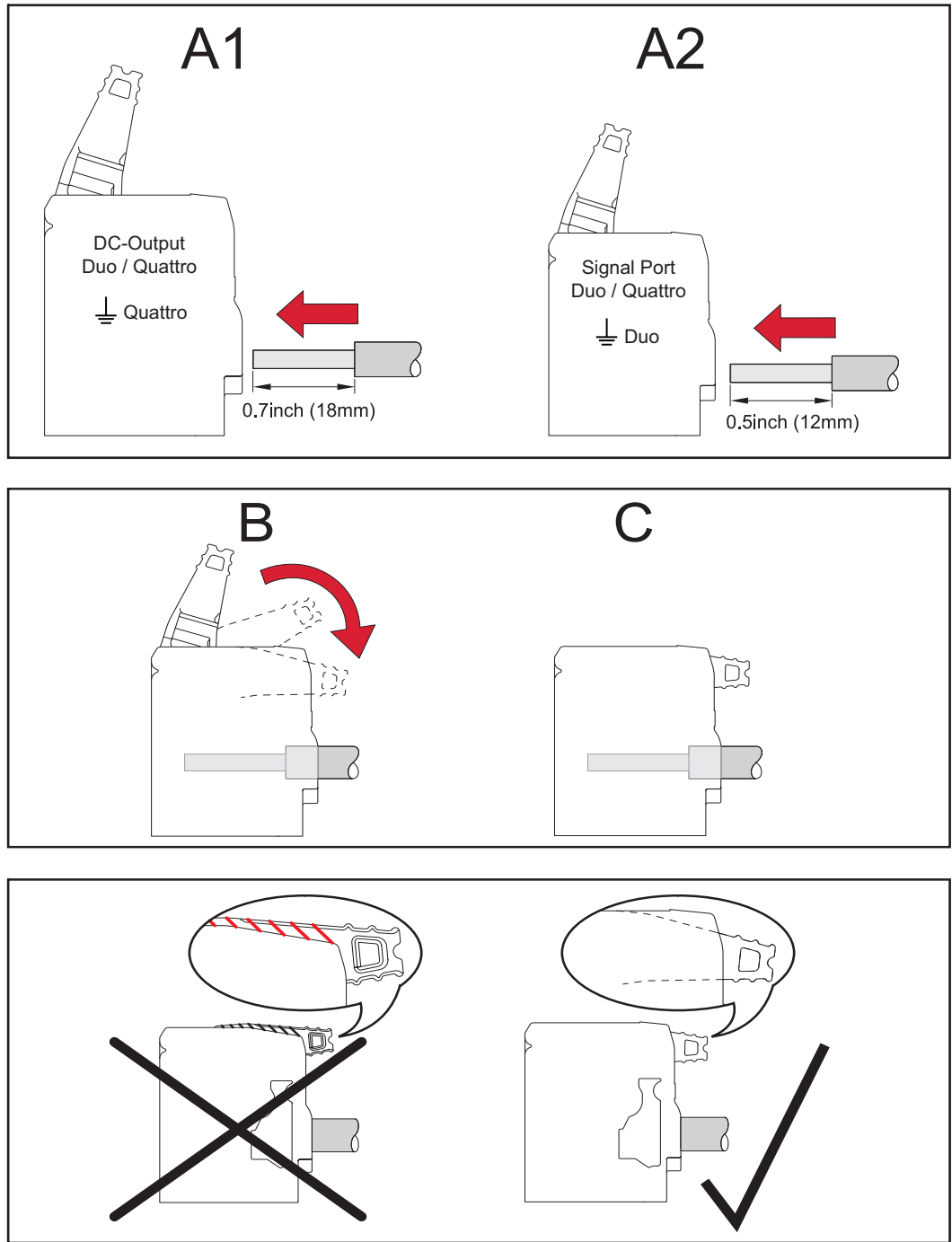
If multiple strings are connected to an MPP tracker, the string voltages should be as equal as possible in order to avoid power losses.



**Connecting several Rapid Shutdown Boxes**



**Connecting the wires to the Terminals**



**Connecting the Rapid Shutdown Box to an Inverter**

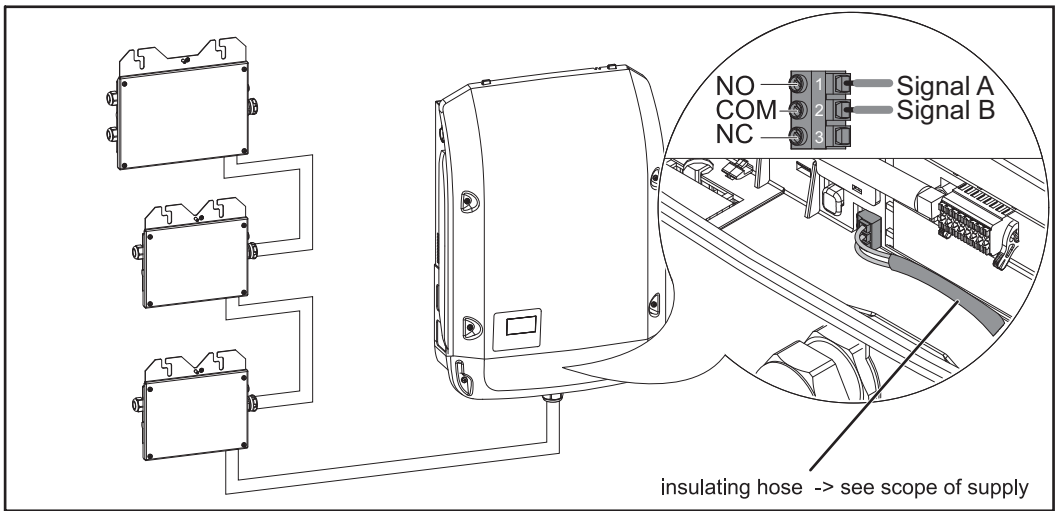
**Connection to the Inverter:**

If the AC supply to the inverter is interrupted, the inverter disconnects the PV DC supply via the Rapid Shutdown Box. As soon as the AC supply is reinstated, the DC supply will resume.

The signal relay in the Fronius inverter is designed to open when the inverter loses AC power signaling the Rapid Shutdown Box to disconnect. **However, the signal relay cannot be used for further functions (Energy Manager, alarm, etc.),** if the Rapid Shutdown is to be initialized by means of an AC failure.

The inverter doesn't have to be configured after the installation of the Rapid Shutdown Box. If changes were made in the section energy management, check this section in the inverters user manual. The energy manager (Relay Mode) must be set 'ON' (default value).





<b>Fronius</b> Model No. Rapid Shutdown Box Single		<b>FC</b>
www.fronius.com Part.No. 4,240,151		
Ser.No.		
Udc max in/out 600 V	Enclosure Type 4X	PV RAPID SHUTDOWN SYSTEM EQUIPMENT
Idc max in/out 17 A	This device complies with UL 1741 and FCC 15 Class B	
max. No. of controlled circuits: 1	Admissible ambient temperature -40...60°C (-40...140°F)	

**WARNING** Risk of Electric shock. Do Not Remove Cover. Refer Servicing To Qualified Service Personnel. Do not remove cover until 5 min. after disconnecting all sources of supply. When the photovoltaic array is exposed to light, it supplies a dc voltage to this equipment.

**ATTENTION** Risque de choc électrique. Ne pas retirer le couvercle. Confier l'entretien à du personnel qualifié. Ne retirer le couvercle l'après 5min. suivant la déconnexion de toutes les sources d'alimentation. Lorsque le champ photovoltaïque est exposé à la lumière, il fournit une tension continue à cet équipement.

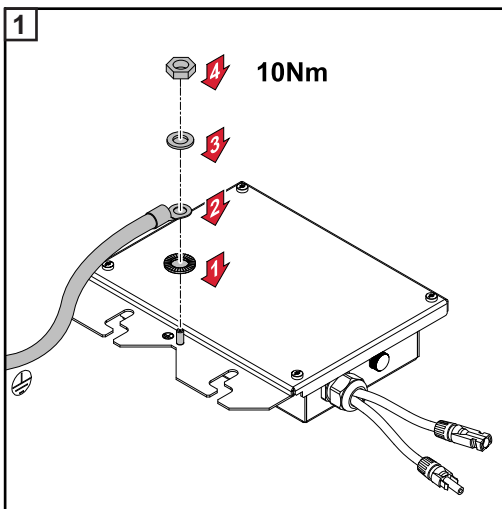
Installation:

PHOTOVOLTAIC  
RAPID SHUTDOWN  
SYSTEM  
EQUIPMENT

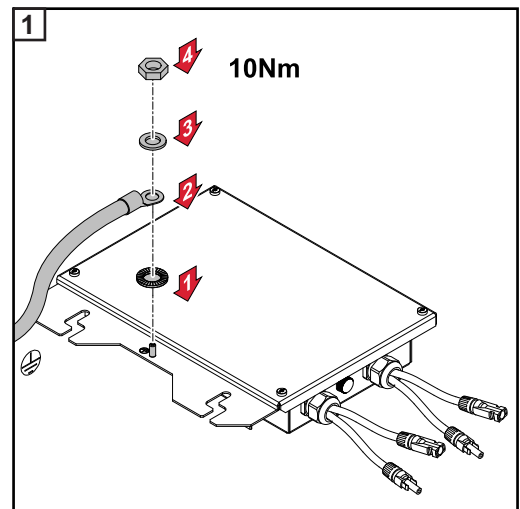
put sticker on inverter

### Connecting the Rapid Shutdown Box Grounding

The hexagon nut and the spring washer required for connecting the grounding on the threaded post are included in the scope of supply. The threaded post is electrically bonded to the Rapid Shutdown Box.

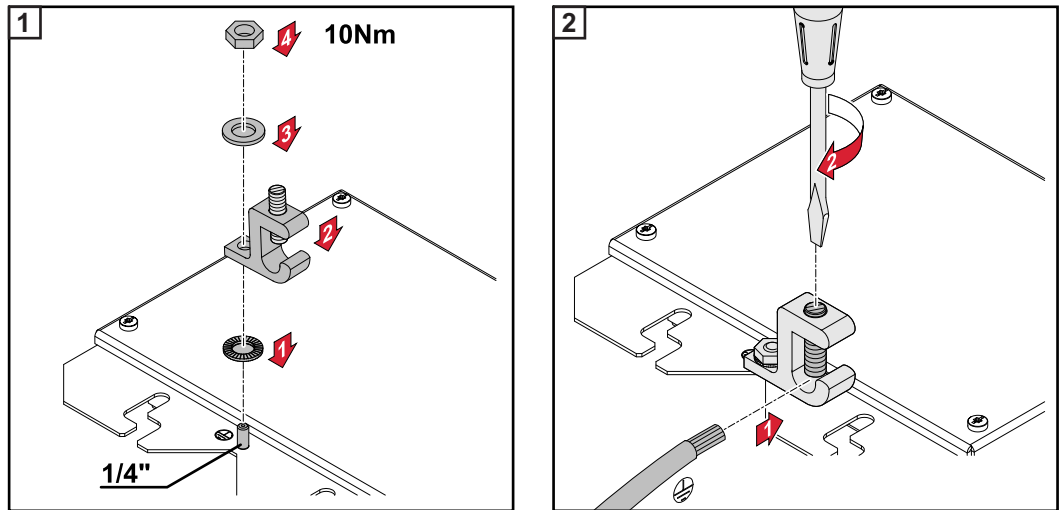


Equipment grounding of RSB - Duo

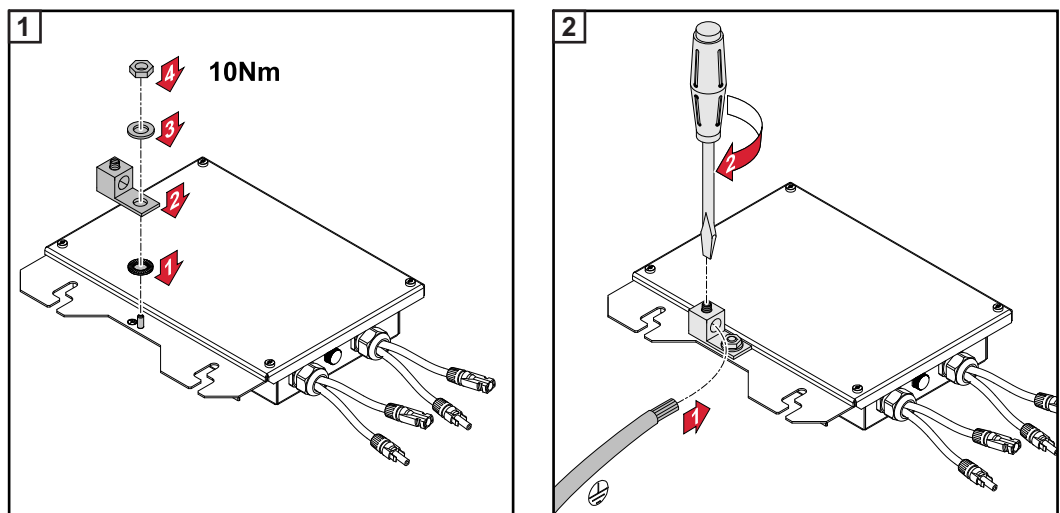


Equipment grounding of RSB - Quattro

Optional: Connecting the Grounding to a Ground Lug - Variant 1



Optional: Connecting the Grounding to a Ground Lug - Variant 2



**Connecting the Rapid Shutdown Box to an Emergency Stop Button**

**Connection to an External Emergency Stop Button:**

If an external emergency stop is needed, it can be installed anywhere in the Signal line using standard electrical installation procedures. When pressing the Emergency Stop button rapid shutdown is initiated and the pv-array is disconnected in the rapid shutdown box. As soon as the Emergency Stop button returns to its original position, the pv-array is reconnected.

**Requirements for the external emergency stop button:**

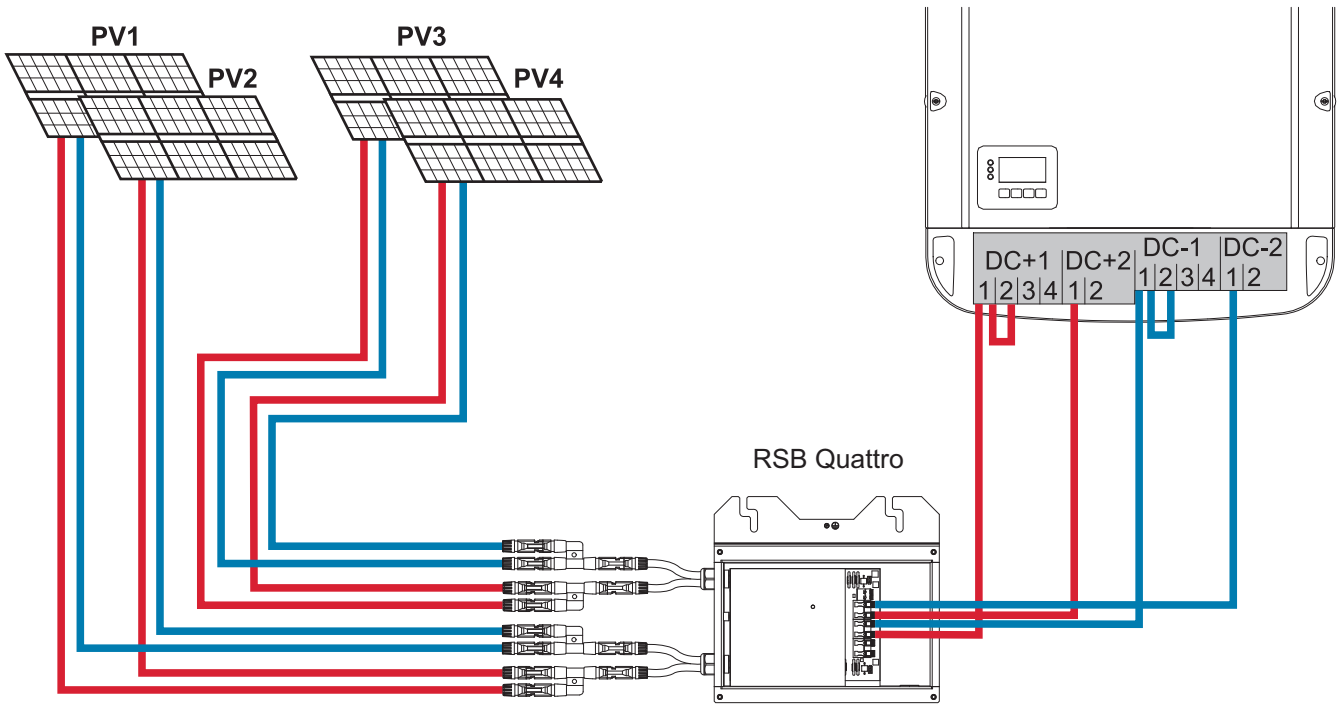
- Maximum switching load 30 V DC / 5 mA
- Rated voltage between contacts and housing: 600 V DC

**Connecting the Rapid Shutdown Box to a Fronius Primo 10.0 / 11.4 / 12.5 / 15.0**

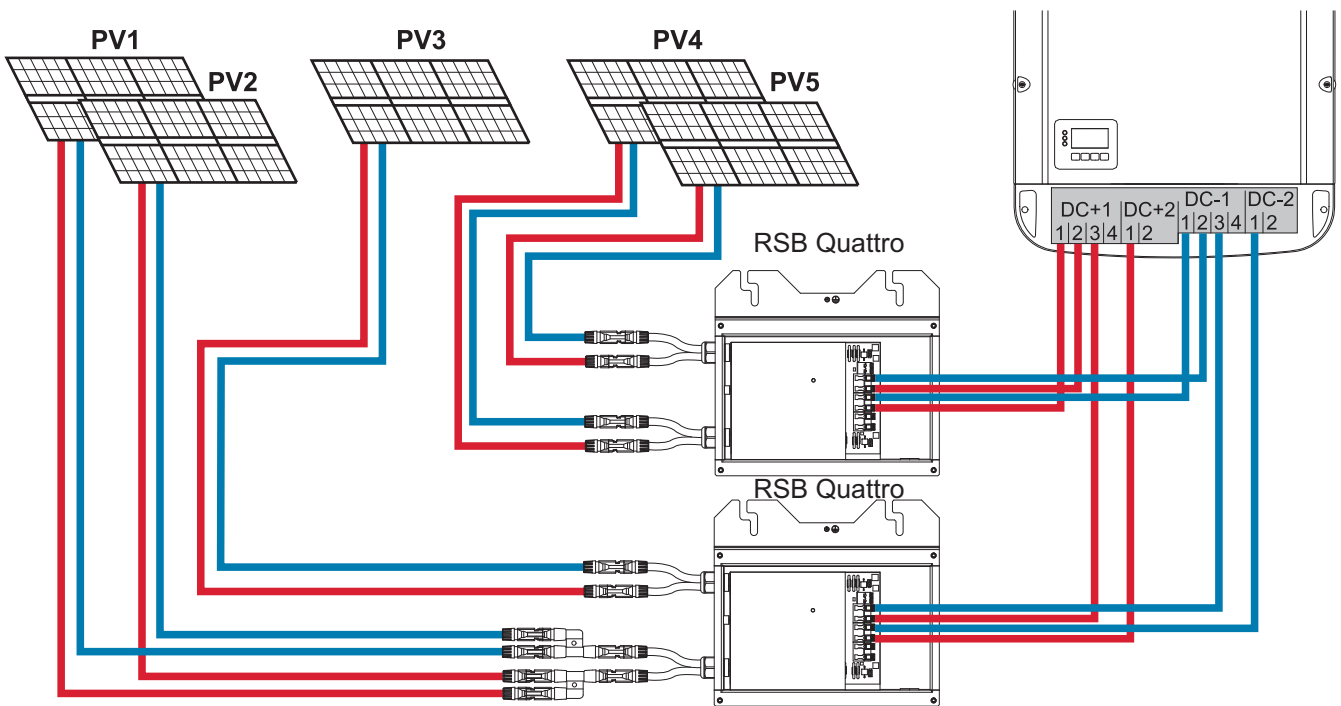
**IMPORTANT!** Wiring schemes show best practice examples assuming that more than two PV strings connected in parallel require overcurrent protection (e.g. fusing). Refer to Primo installation manual regarding multi conductor wiring and fusing details

If multiple strings are connected to an MPP tracker, the string voltages should be as equal as possible in order to avoid power losses.

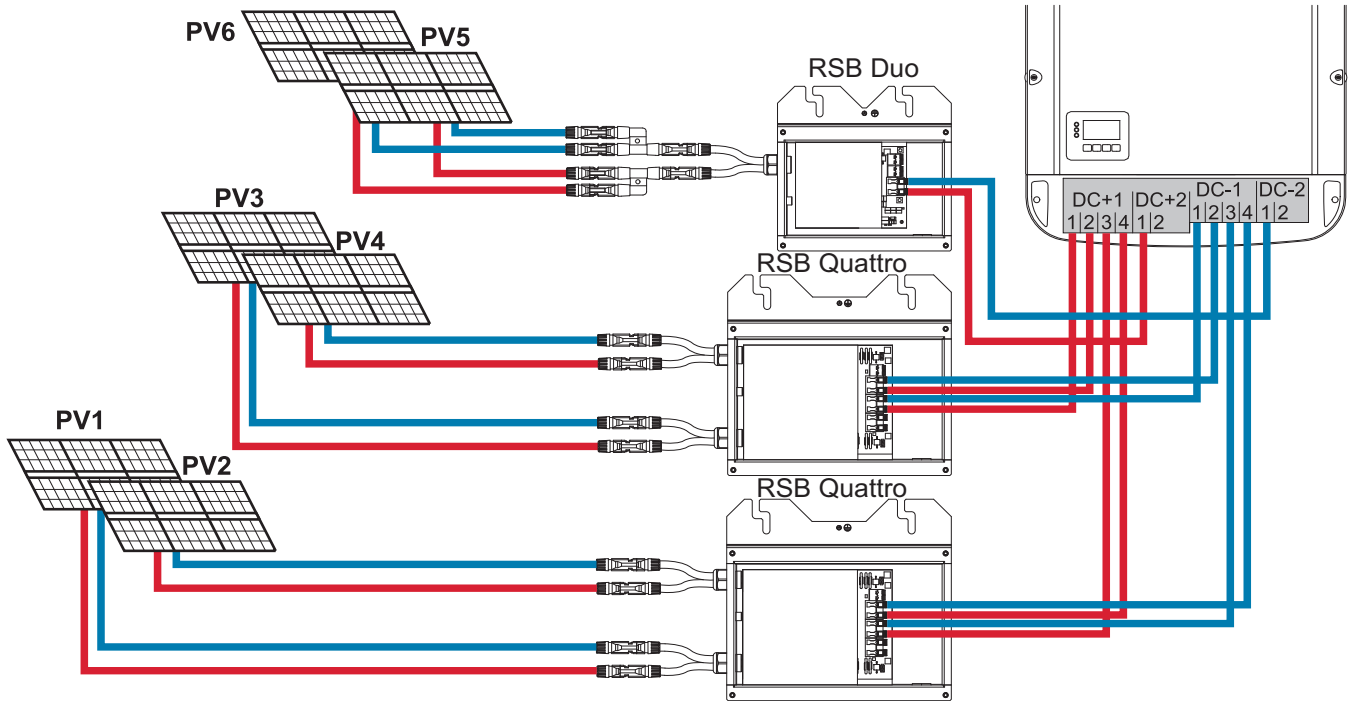
### Connecting 4 Solar Module Strings to the Fronius Primo 10.0 / 11.4 / 12.5 / 15.0



### Connecting 5 Solar Module Strings to the Fronius Primo 10.0 / 11.4 / 12.5 / 15.0



# Connecting 6 Solar Module Strings to the Fronius Primo 10.0 / 11.4 / 12.5 / 15.0



# Contenido

General .....	23
Seguridad.....	23
Conformidad con FCC / RSS.....	24
Concepto del sistema .....	24
Limitaciones del sistema.....	25
Distancia máxima entre la Caja de cierre rápido y el conjunto fotovoltaico.....	25
Datos técnicos .....	25
Compatibilidad con inversores.....	26
Código de servicio 307 en el inversor.....	27
Iniciación del cierre rápido .....	27
Reinicio después del cierre rápido.....	27
Instalación de la Caja de cierre rápido.....	28
Patrón de taladrado .....	29
Montaje de la Caja de cierre rápido - Duo en un riel .....	29
Fijar la Caja de cierre rápido a la pared.....	29
Conexión de la Caja de cierre rápido.....	31
Cableado de la Caja de cierre rápido - Duo.....	31
Conexión de los cables de la Caja de cierre rápido - Quattro .....	32
Instalación del conector MC4-Y .....	33
Conexión de varias Cajas de cierre rápido .....	33
Conexión de los cables a los bornes .....	34
Conexión de la Caja de cierre rápido a un inversor .....	34
Conexión de puesta a tierra de la Caja de cierre rápido.....	35
Conexión de la Caja de cierre rápido a un botón de parada de emergencia.....	36
Conexión de la Caja de cierre rápido a Fronius Primo 10.0 / 11.4 / 12.5 / 15.0 .....	37



# General

## Seguridad

ES-MX

**¡ADVERTENCIA!** Los fallos del sistema y el trabajo realizado de manera incorrecta pueden causar heridas graves y daño a la propiedad. Solo personal cualificado tiene autorización para poner en servicio la Caja de cierre rápido (RSB) y solo dentro del alcance de las respectivas normas técnicas. Lea las normas de seguridad antes de instalar y llevar a cabo el trabajo de mantenimiento.

**¡ADVERTENCIA!** El trabajo realizado de manera incorrecta puede causar heridas graves y daños. Solo electricistas autorizados deben instalar y conectar la Caja de cierre rápido.  
¡Siga las normas de seguridad!  
Antes de llevar a cabo una instalación o conexión, desconecte el suministro eléctrico de CA al inversor y el suministro eléctrico de CC a la Caja de cierre rápido.

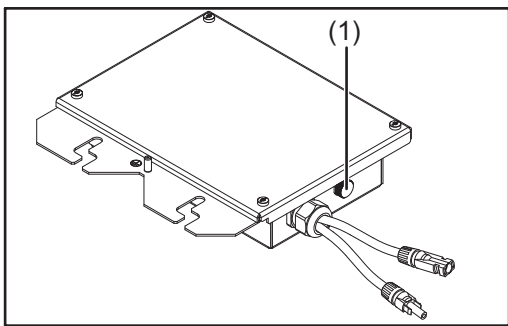
**¡ADVERTENCIA!** Una descarga eléctrica puede ser mortal. Los componentes eléctricos de tamaños inadecuados pueden causar heridas graves y daño a la propiedad.

- Todas las conexiones eléctricas se deben realizar en conformidad con el Código Eléctrico Nacional, ANSI/NFPA 70 y demás regulaciones aplicables al lugar de instalación.
- Las instalaciones llevadas a cabo en Canadá deben cumplir con las normas canadienses correspondientes.
- Utilice alambre de cobre en todos los bornes de brida de resorte.
- Use un alambre de cobre de mín. 194 °F (90 °C) para todos los cables de puesta a tierra y cables de salida CC.
- Consulte la tabla de NEC 250.122 para conocer el tamaño correcto de cable a tierra.
- La pérdida de tensión y otras consideraciones pueden significar que se deban utilizar diámetros más grandes de cable.

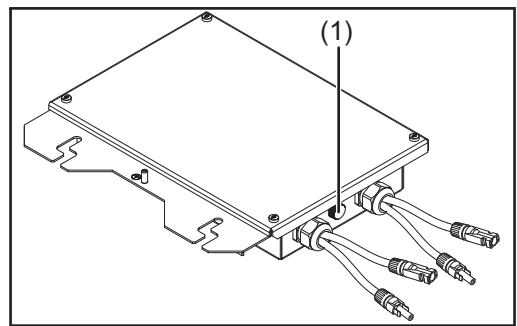
**¡ADVERTENCIA!** Una conexión de conductor protector inadecuada puede causar lesiones graves y daño a la propiedad. Los tornillos de la carcasa proporcionan una conexión de conductor protector adecuada para poner a tierra la carcasa y no deben ser reemplazados, bajo ninguna circunstancia, por ningún otro tornillo que no proporcione una conexión de conductor protector confiable.

**¡PRECAUCIÓN!** Se deben observar los siguientes puntos para evitar que la Caja de cierre rápido se dañe:


- Se deben seguir las especificaciones técnicas.
- No se debe utilizar la membrana de compensación de presión (1) para el cableado.





Caja de cierre rápido - Duo



Caja de cierre rápido - Quattro

 **¡OBSERVACIÓN!** Los módulos fotovoltaicos expuestos a la luz suministran energía a la Caja de cierre rápido cuando esta se conecta.

 **¡OBSERVACIÓN!** Al instalarse a la intemperie, solo utilice tubos y conexiones a prueba de agua. Los tubos y conexiones no se suministran con la Caja de cierre rápido. Las conexiones siempre se deben instalar con una tuerca autoblocante. Asegúrese de que las conexiones se instalen y sellen correctamente.

 **¡OBSERVACIÓN!** Al conectar cables de CC, asegúrese de que la polaridad sea correcta.

**¡IMPORTANTE!** La indicación del estado del sistema (inversor) se debe instalar en una ubicación cercana al iniciador del sistema, en donde se pueda ver claramente la indicación de desconexión segura. Si la iniciación de cierre rápido pierde energía CA, el inversor actúa como indicador e iniciador del sistema.

---

## Conformidad con FCC / RSS



### FCC

Este dispositivo corresponde a los valores límites para un dispositivo digital de clase B, de conformidad con la Parte 15 de las normas FCC. Los valores límites deben proporcionar una protección adecuada contra interferencias perjudiciales en las residencias. Este dispositivo crea y utiliza energía de alta frecuencia y puede interferir en las radiocomunicaciones cuando no se utiliza según las instrucciones. Sin embargo, no se garantiza que no exista interferencia en una determinada instalación.

Si este dispositivo interfiere con la recepción de radio o televisión al encenderlo o apagarlo, se recomienda que el usuario resuelva el problema con una o más de las siguientes medidas:

- Ajustar o reponer la antena de recepción.
- Aumentar la distancia entre el dispositivo y el receptor.
- Conectar el dispositivo a otro circuito, que no incluya el receptor.
- Para obtener mayor asistencia, comuníquese con el vendedor minorista o un técnico de radio/TV con experiencia.

### Industry Canada RSS

El dispositivo corresponde a los estándares de Industry Canada RSS sin licencia. El funcionamiento depende de las siguientes condiciones:

- (1) El dispositivo no debe causar interferencia perjudicial.
- (2) El dispositivo debe aceptar cualquier interferencia recibida, incluida interferencia que pueda causar una operación indeseada.

---

## Concepto del sistema

La Caja de cierre rápido brinda una manera práctica y segura de cumplir con el Artículo 690.12 de la edición 2014 del Código Eléctrico Nacional. El dispositivo se alimenta directamente de un conjunto fotovoltaico y es controlado en función del estado del puerto de señal. El puerto de señal se puede controlar mediante un borne relé en el inversor. El uso de un relé CC, que también funciona como interruptor-seccionador, garantiza que el conjunto fotovoltaico esté aislado galvánicamente en el caso de un cierre rápido.

La Caja de cierre rápido garantiza que la energía residual en los condensadores del inversor se descargue en el período requerido. Para garantizar que todo el sistema funcione correctamente, los puertos de señal de todas las Cajas de cierre rápido se deben conectar en serie (consulte la sección „Conexión de la Caja de cierre rápido“). Para ello, se pueden combinar aleatoriamente las variantes Duo y Quattro del dispositivo y también las versiones discontinuadas RSB Single y RSB Multi.

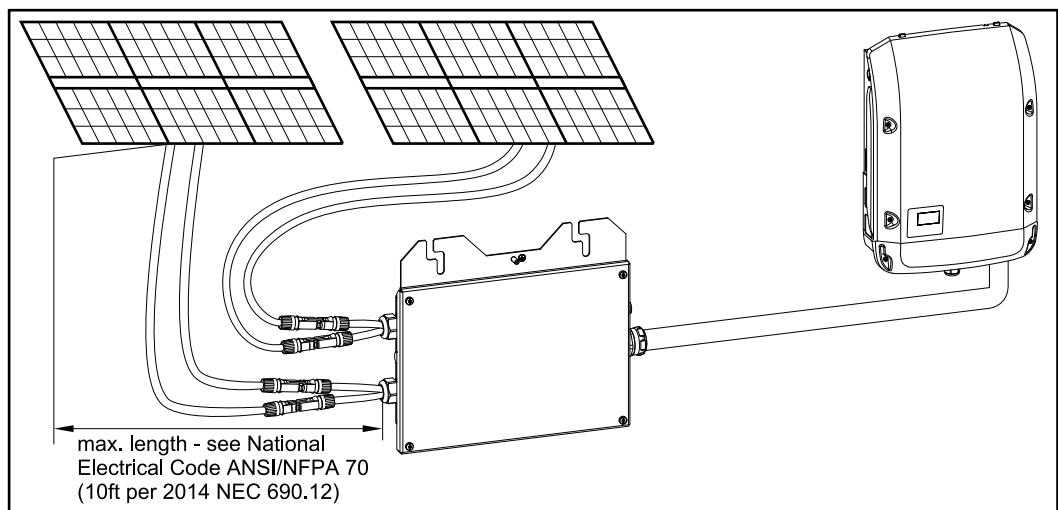
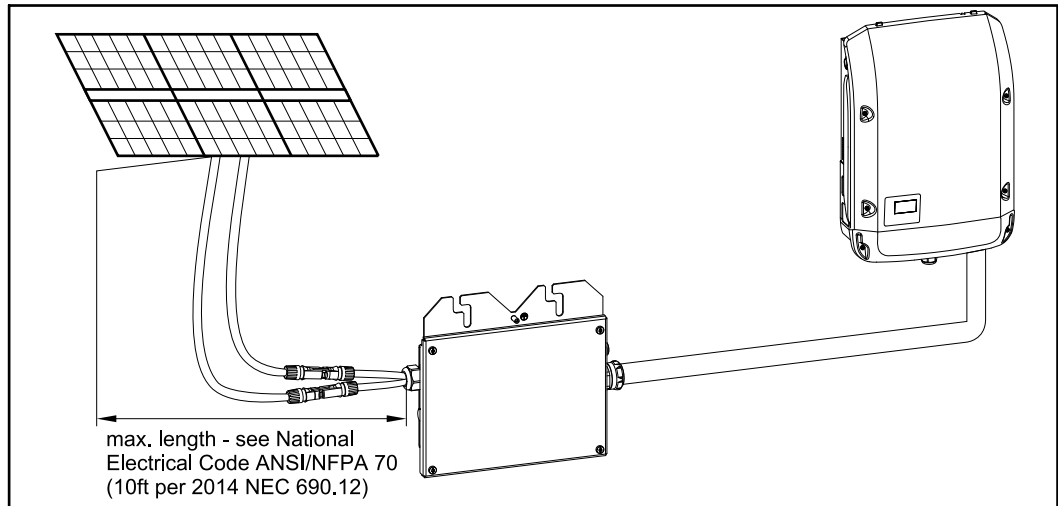


La Caja de cierre rápido se puede inicializar mediante una avería de CA, si los cables de señal están conectados al inversor. Además, se puede utilizar un botón de parada de emergencia que interrumpe los cables de señal.

### Limitaciones del sistema

- Cantidad máxima de Cajas de cierre rápido por inversor: 5
- Máxima resistencia de cable permitida por ciclo de señal: 300  $\Omega$
- Máxima longitud de cable permitida para ciclo de señal utilizando AWG 14, 16, 18 o 20: 3200 ft (1000 m)

### Distancia máxima entre la Caja de cierre rápido y el conjunto fotovoltaico




### Datos técnicos

	RSB Duo	RSB Quattro
Voltaje máximo	600 VCC	
Tensión inicial	80 VCC	
Máxima corriente de entrada	25 A	25 A / 25 A
Alimentación principal	CC (del conjunto fotovoltaico)	
Autoconsumo durante el funcionamiento	2 W	
Temperatura operativa permitida	-40 °F a +149 °F (-40 °C a +65 °C)	
Humedad permitida	0 - 100 % (sin condensación)	
Altitud máxima	13,123 ft (4000 m)	

Cantidad máx. de circuitos eléctricos <i>controlados</i> (según NEC)	1	2
Tipo de gabinete	NEMA 4X	
Dimensiones del dispositivo a x a x p	11.26 x 9.7 x 2.62 in. (286 x 246,5 x 66,6 mm)	13.82x11.54x2.62 in. (351 x 293 x 66,6 mm)
Dimensiones de envío a x a x p	13 x 12 x 5.9 in. (330x305x150 mm)	13.78x11.81x6.1in. (350x300x155 mm)
Peso de envío	5.95 lbs. (2,7 kg)	8.16 lbs. (3,7 kg)
Normas y regulaciones	UL1741; LTR AE-004-2015; FCC15 Clase B	

### Compatibilidad con inversores

Inversor	Rapid Shutdown Box - Duo	Rapid Shutdown Box - Quattro
Fronius Galvo 1.5-1 208-240		
Fronius Galvo 2.0-1 208-240		
Fronius Galvo 2.5-1 208-240		
Fronius Galvo 3.1-1 208-240		
Fronius Primo 3.8-1 208-240		
Fronius Primo 5.0-1 208-240		
Fronius Primo 6.0-1 208-240		
Fronius Primo 7.6-1 208-240		
Fronius Primo 8.2-1 208-240		
Fronius Primo 10.0-1 208-240 *)		
Fronius Primo 11.4-1 208-240 *)		
Fronius Primo 12.5-1 208-240 *)		
Fronius Primo 15.0-1 208-240 *)		
Fronius Symo 10.0-3 208-240		
Fronius Symo 12.0-3 208-240		
Fronius Symo 15.0-3 208	-	-
Fronius Symo 10.0-3 480 **)		
Fronius Symo 12.5-3 480 **)		
Fronius Symo 15.0-3 480 **)		
Fronius Symo 17.5-3 480 **)		
Fronius Symo 20.0-3 480 **)		

Fronius Symo 22.7-3 480 **)		
Fronius Symo 24.0-3 480 **)		

\*) Iniciación mediante pérdida de CA solo con etapa de potencia SW2 versión 0.6.34.4 o superior. Ver la sección "Conexión de la Rapid Shutdown Box al Primo 10.0 - 15.0" para más detalles sobre la instalación

\*\*\*) Máxima tensión CC: 600 V

### Código de servicio 307 en el inversor

#### Código de servicio 307 en la pantalla del inversor:

Descripción: En la entrada, el inversor identifica la tensión continua demasiado baja para el suministro de energía a la red. Si el código de servicio aparece por un período de tiempo pese a la radiación solar, los siguientes pasos pueden ayudarlo a descubrir el error:

- Verificar la posición del seccionador CC en el inversor, debe estar encendido.
- Leer la tensión continua en la pantalla o medirla en los bornes del inversor.
  - Si la tensión continua es 0 V, significa que la Caja de cierre rápido no recibe alimentación del conjunto fotovoltaico o no hay una conexión eléctrica entre la Caja de cierre rápido y el inversor. Verificar el cableado CC, incluidas las entradas de la Caja de cierre rápido. **Caja de cierre rápido Quattro: Al menos una serie fotovoltaica debe estar conectada a la entrada 1.**
  - Si la tensión continua es de aproximadamente 28 V, significa que la Caja de cierre rápido recibe alimentación eléctrica y está esperando la aprobación en los puertos de señal. Verificar el cableado del ciclo de señal y la posición de los interruptores en el ciclo de señal.
- Si el código de servicio aún aparece pese a la radiación solar, comuníquese con su técnico de sistemas.

### Iniciación del cierre rápido

#### Según la configuración y el estado de la instalación en el lugar, existen dos posibilidades para iniciar el cierre rápido:

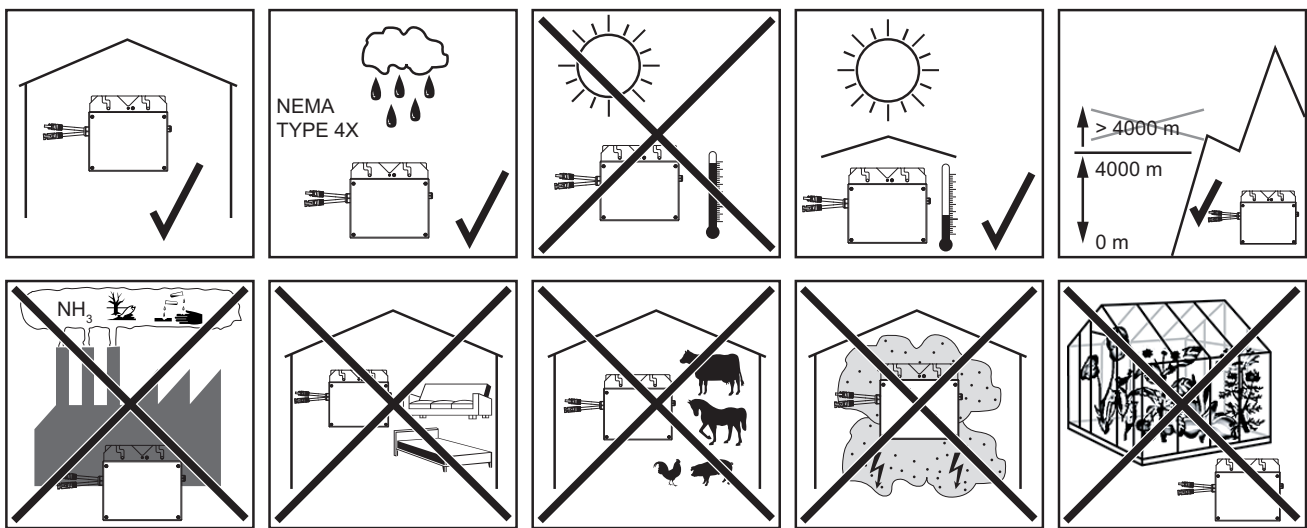
- **Mediante pérdida de CA:** Si conectó el ciclo de señal al inversor (consulte la sección Conexión de la Caja de cierre rápido a un inversor en la página 34), puede iniciar el cierre rápido al desconectar el acoplamiento a la red del inversor (por ej., en el panel de servicio). En ese caso, el inversor detecta la pérdida de CA y activa las Cajas de cierre rápido para aislar el conjunto fotovoltaico de los conductores controlados y descargarlos.
- **Mediante interruptor externo:** Si la iniciación por pérdida de CA no es adecuada o se requieren otras posibilidades, puede instalar interruptores externos en el ciclo de señal (consulte la sección Conexión de la Caja de cierre rápido a un botón de parada de emergencia en la página 36). De ser así, el cierre rápido se puede iniciar al presionar uno de esos interruptores para activar las Cajas de cierre rápido a fin de aislar el conjunto fotovoltaico de los conductores controlados y descargarlos.

### Reinicio después del cierre rápido

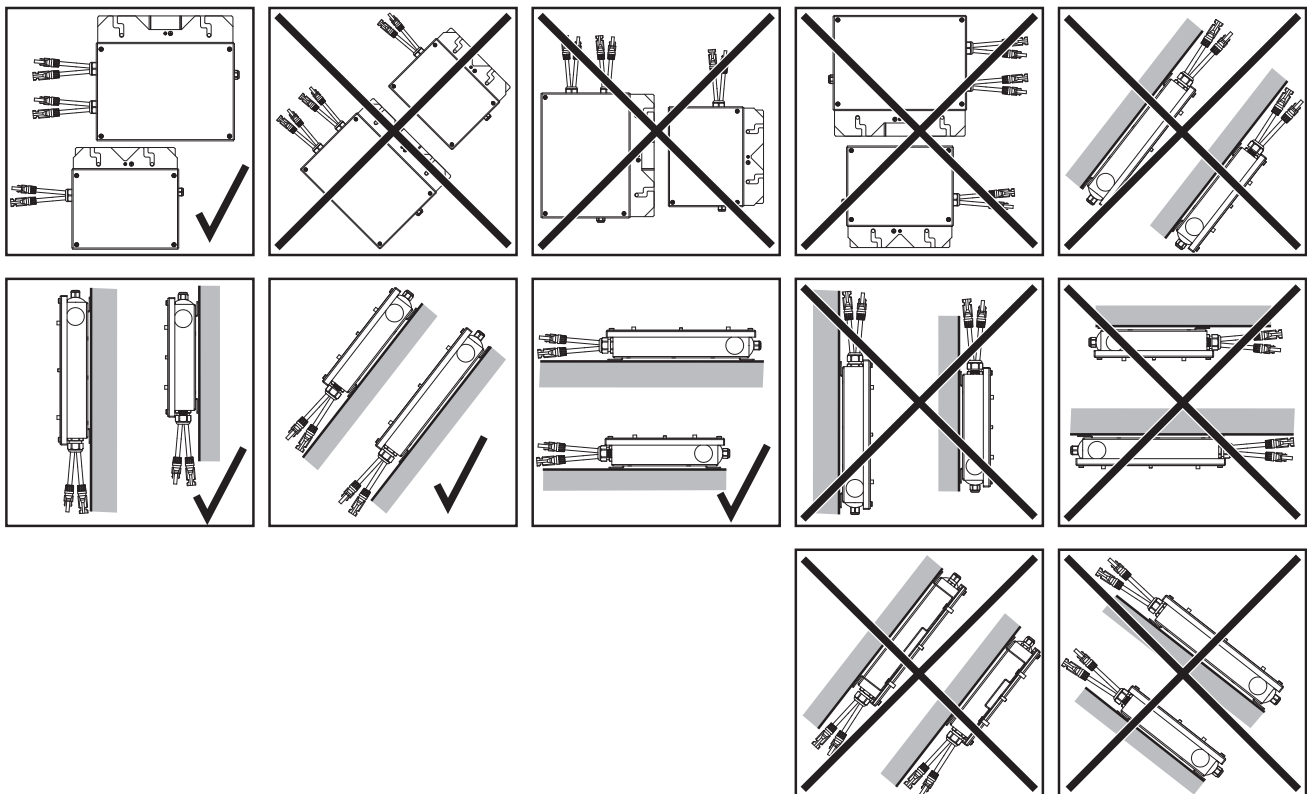
Para poner en servicio la instalación fotovoltaica después de un cierre rápido:

- Si el ciclo de señal está conectado al inversor, debe haber energía CA para poder reiniciar.
- Liberar el interruptor utilizado para iniciar el cierre rápido a la posición cerrada.
- Verificar que todos los interruptores externos instalados en el ciclo de señal estén en la posición correcta (cerrada).

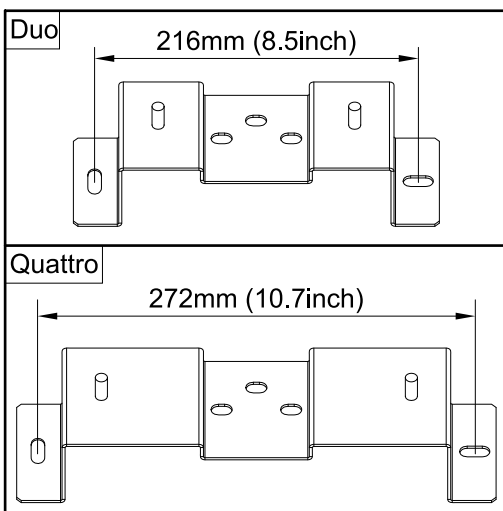
# Instalación de la Caja de cierre rápido



## Posibles posiciones de montaje para uso a la intemperie:



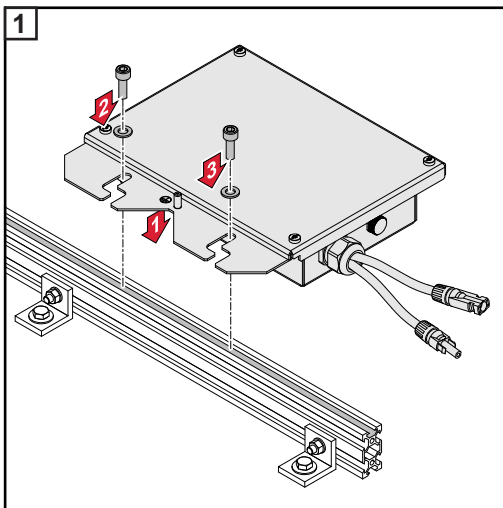
**Patrón de taladrado**



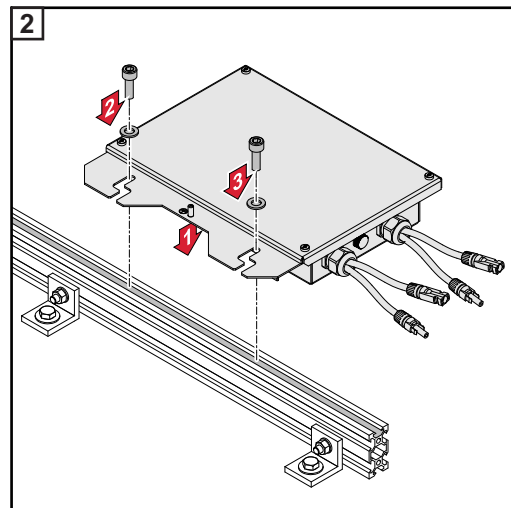
Las etiquetas de advertencia e identificación deben ser de fácil acceso después del montaje.

**Montaje de la Caja de cierre rápido - Duo en un riel**

**¡IMPORTANTE!** Al montar la Caja de cierre rápido en un riel, se recomienda fijar el riel en una posición elevada para facilitar la instalación.

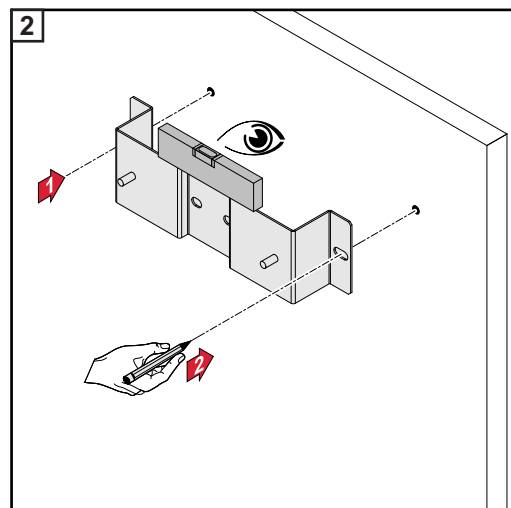
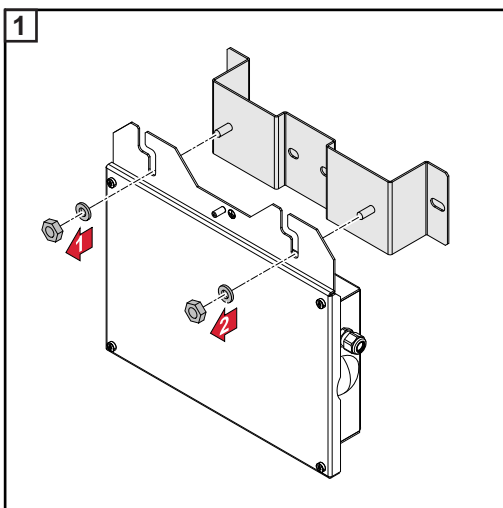


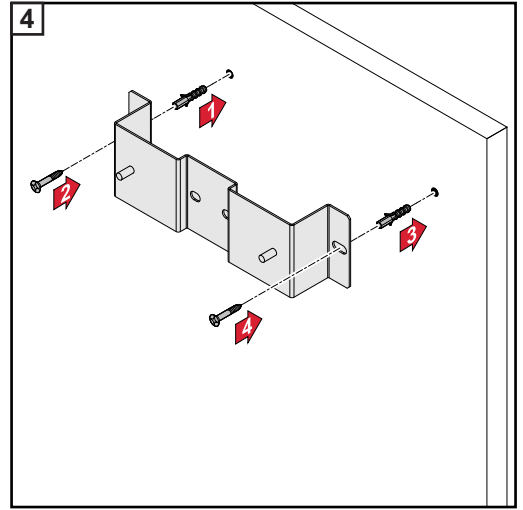
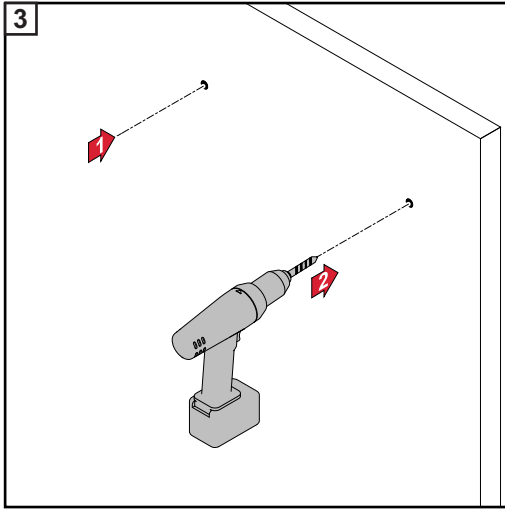
Caja de cierre rápido - Duo



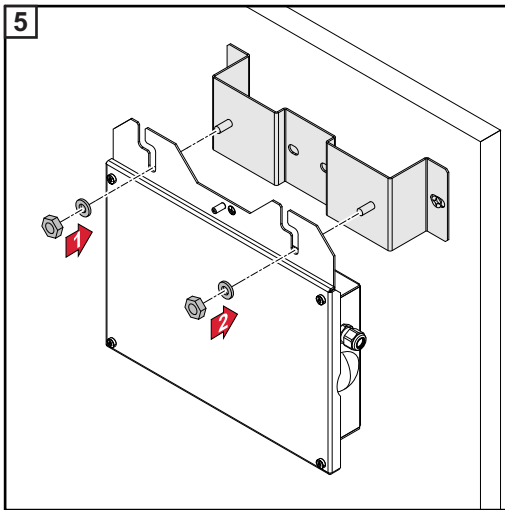
Caja de cierre rápido - Quattro

**Fijar la Caja de cierre rápido a la pared**



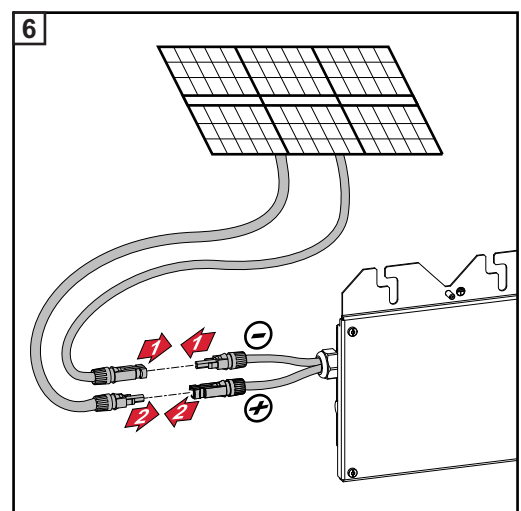
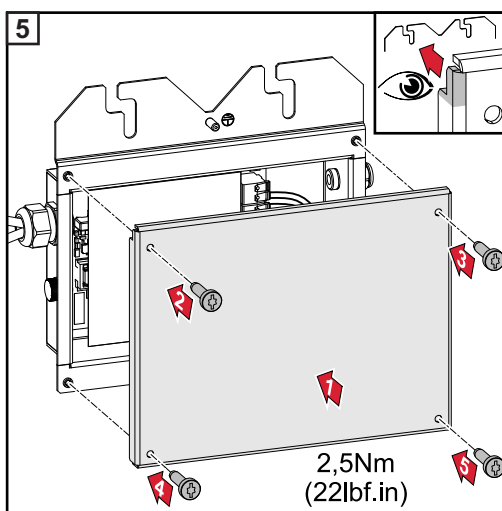
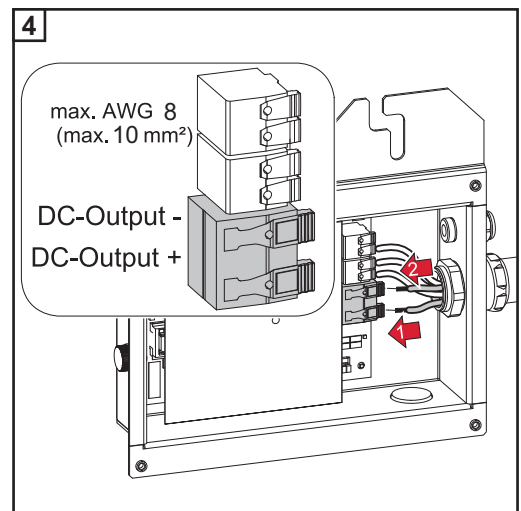
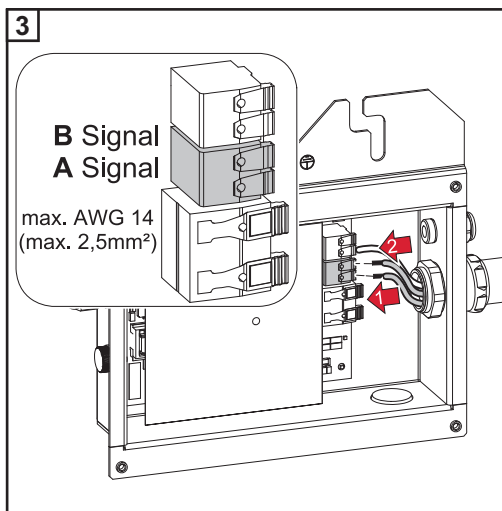
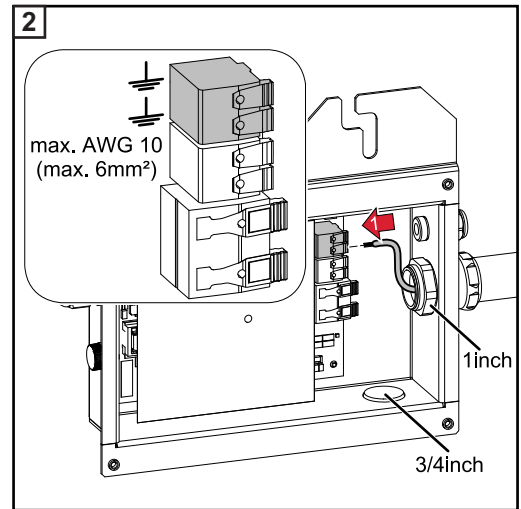
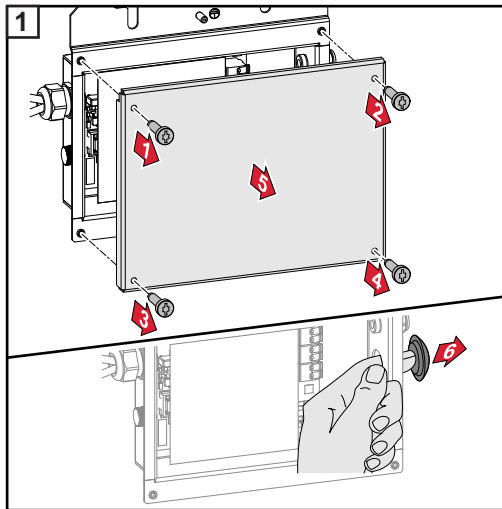


No se incluyen los sujetadores.



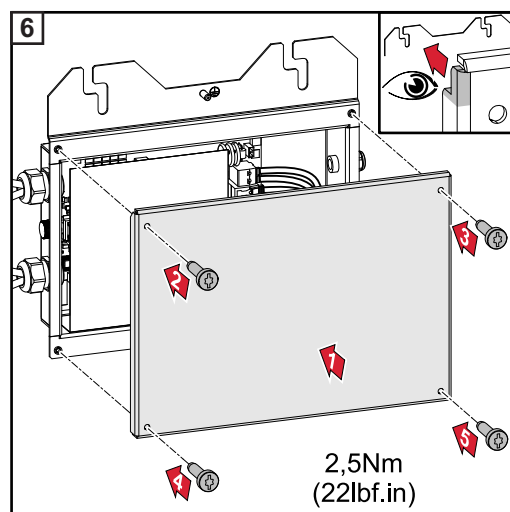
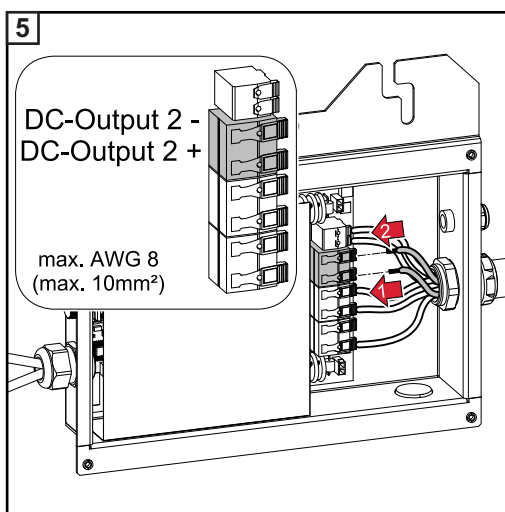
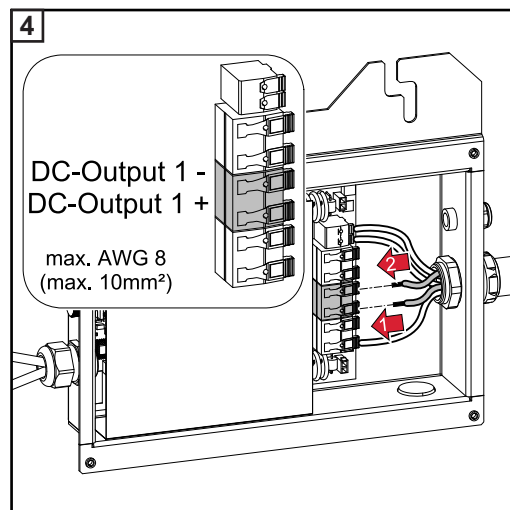
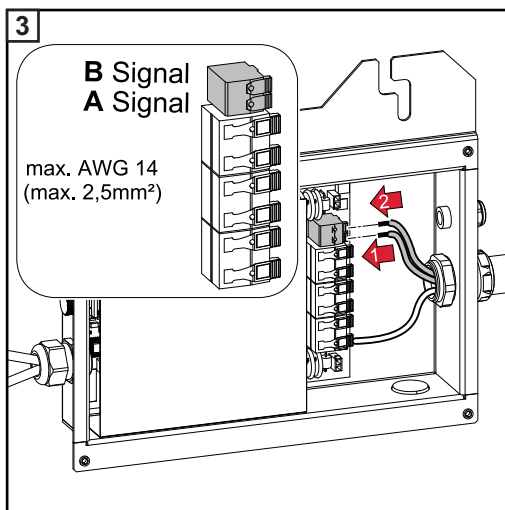
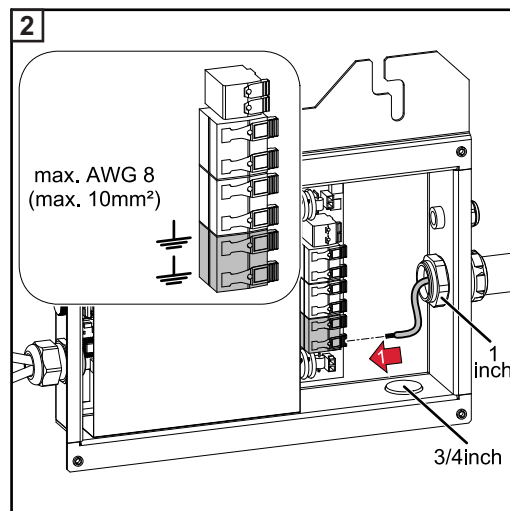
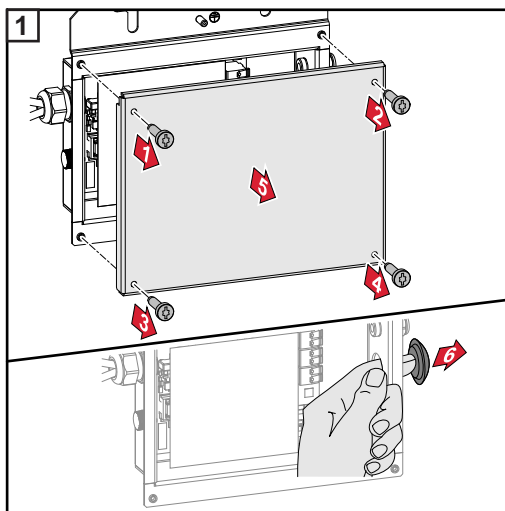
# Conexión de la Caja de cierre rápido - Duo

## Cableado de la Caja de cierre rápido - Duo

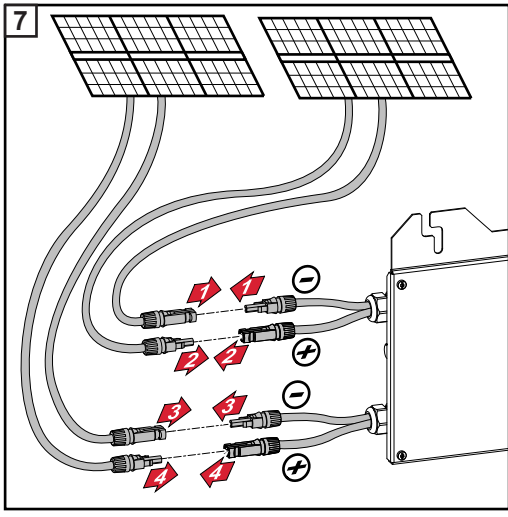


**Conexión de los cables de la Caja de cierre rápido - Quattro**

**¡IMPORTANTE!** Al utilizar 2 series fotovoltaicas, al menos una de ellas debe estar conectada a la entrada 1, ya que la Caja de cierre rápido recibe la alimentación eléctrica por esta entrada.



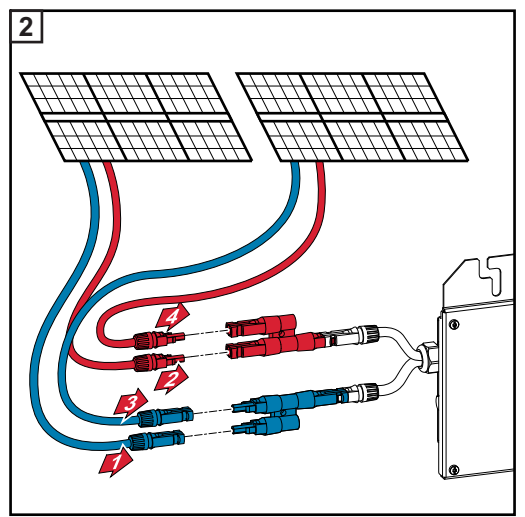
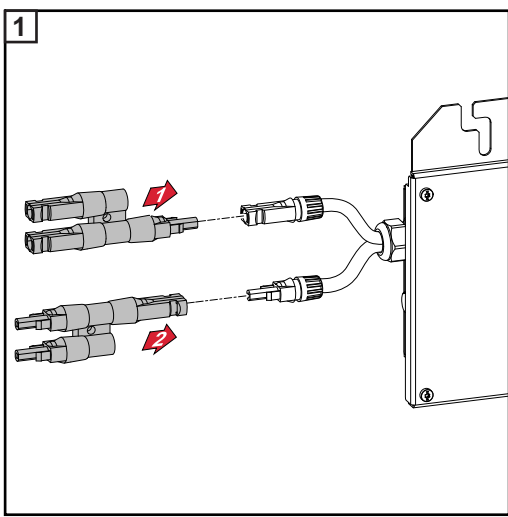




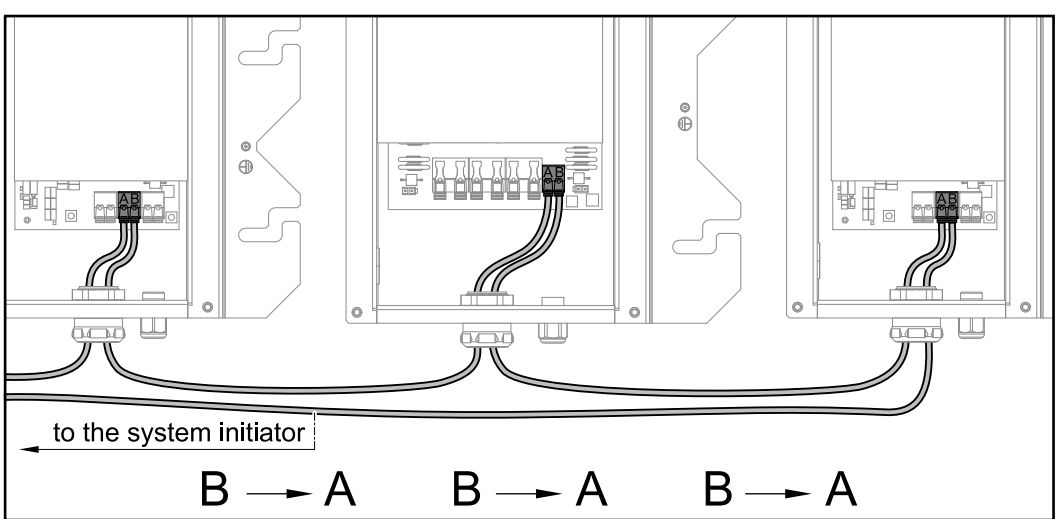
Si se deben utilizar otros conectores aparte de MC4 (Stäubli) junto con la Caja de cierre rápido Fronius, se recomienda cortar los conectores MC4 preconfigurados y reemplazarlos por la marca de conectores preferida utilizando las herramientas y los métodos adecuados. No se recomienda retirar todo el conjunto del cable; esta acción anulará la garantía.

**Instalación del conector MC4-Y**

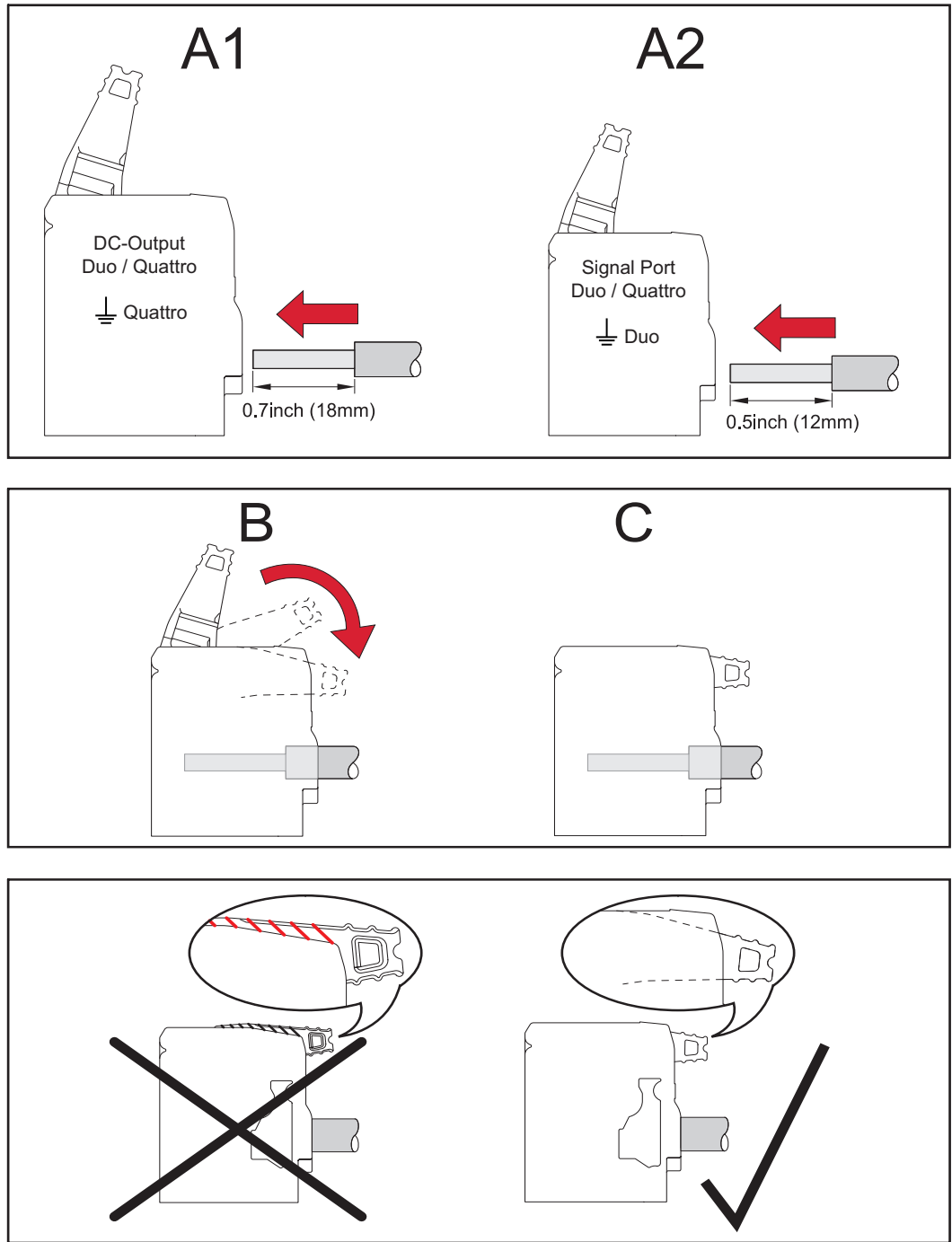
Si varias series fotovoltaicas están conectadas a un rastreador MPP, las tensiones de estas series deben ser lo más similares posible para evitar pérdidas de energía.



**Conexión de varias Cajas de cierre rápido**



**Conexión de los cables a los bornes**



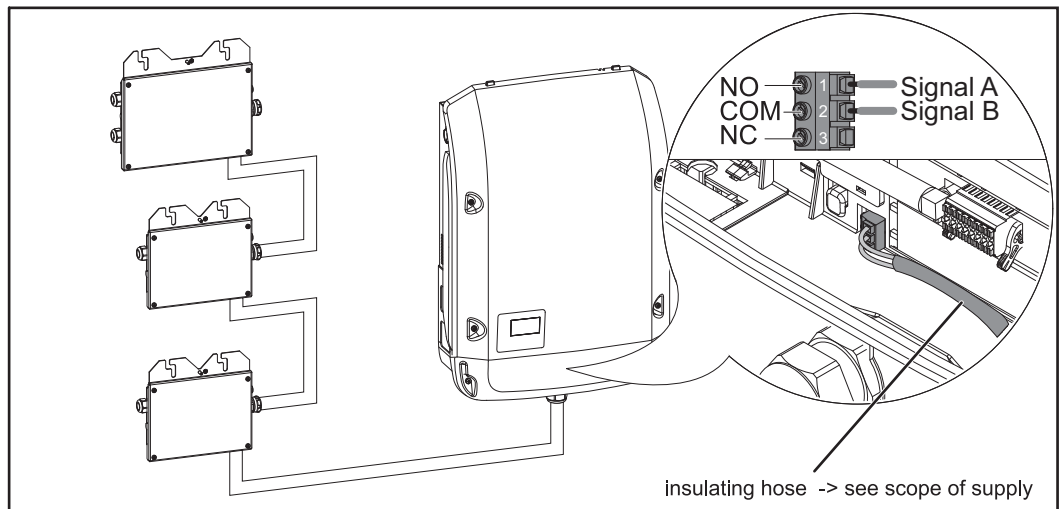
**Conexión de la Caja de cierre rápido a un inversor**

**Conexión a un inversor:**

si se interrumpe el suministro de CA al inversor, este desconecta el suministro de CC del conjunto fotovoltaico mediante la Caja de cierre rápido. Tan pronto como se restablezca el suministro de CA, se reiniciará el suministro de CC.

El relé de señal en el inversor Fronius está diseñado para abrirse cuando el inversor pierde energía CA y le indica a la Caja de cierre rápido la desconexión. **Sin embargo, el relé de señal no se puede utilizar para otras funciones (gestor de energía, alarmas, etc.),** si la Caja de cierre rápido se inicializa mediante una avería de CA.

No es necesario configurar el inversor después de la instalación de la Caja de cierre rápido. Si se realizaron modificaciones en la sección de gestión de energía, consulte esta sección en el manual de instrucciones del inversor. El gestor de energía (modo relé) debe estar encendido (valor predeterminado).



<b>Fronius</b>		Model No. Rapid Shutdown Box Single	<b>FC</b>
www.fronius.com		Part.No. 4,240,151	
		Ser.No.	
Udc max in/out 600 V	Enclosure Type 4X	PV RAPID SHUTDOWN SYSTEM EQUIPMENT	
Idc max in/out 17 A	This device complies with UL 1741 and FCC 15 Class B		
max. No. of controlled circuits: 1	Admissible ambient temperature -40...60°C (-40...140°F)		

**WARNING** Risk of Electric shock. Do Not Remove Cover. Refer Servicing To Qualified Service Personnel. Do not remove cover until 5 min. after disconnecting all sources of supply. When the photovoltaic array is exposed to light, it supplies a dc voltage to this equipment.

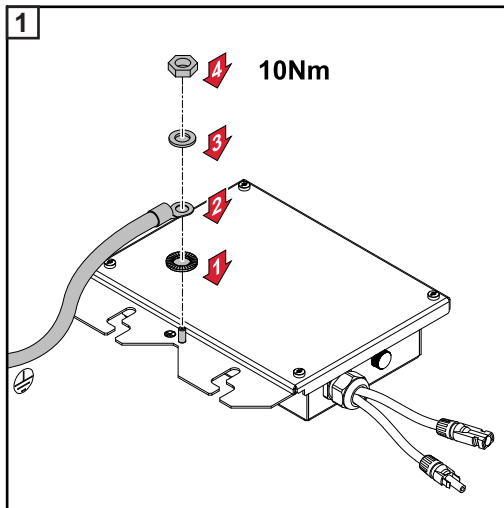
**ATTENTION** Risque de choc électrique. Ne pas retirer le couvercle. Confier l'entretien à du personnel qualifié. Ne retirer le couvercle u'après 5min. suivant la déconnexion de toutes les sources d'alimentation. Lorsque le champ photovoltaïque est exposé à la lumière, il fournit une tension continue à cet équipement.

Installation:

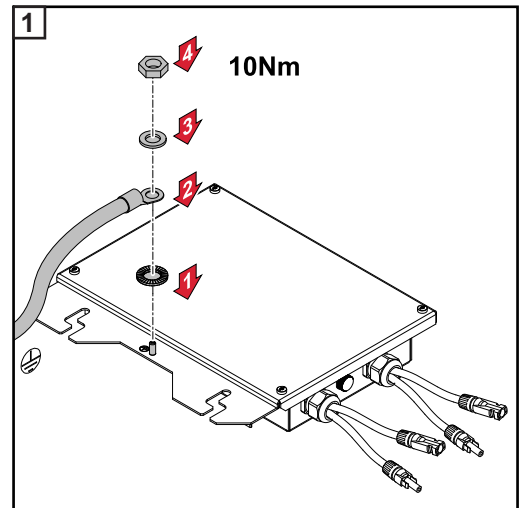
put sticker on inverter

### Conexión de puesta a tierra de la Caja de cierre rápido

La tuerca hexagonal y la arandela del resorte necesarias para realizar la puesta a tierra en la conexión roscada se suministran con el dispositivo. La conexión roscada está unida eléctricamente a la Caja de cierre rápido.

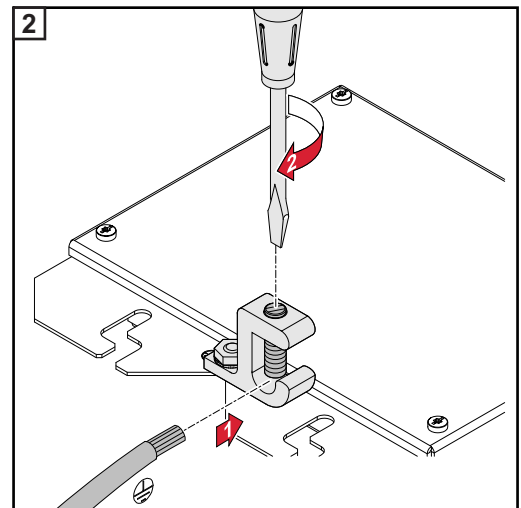
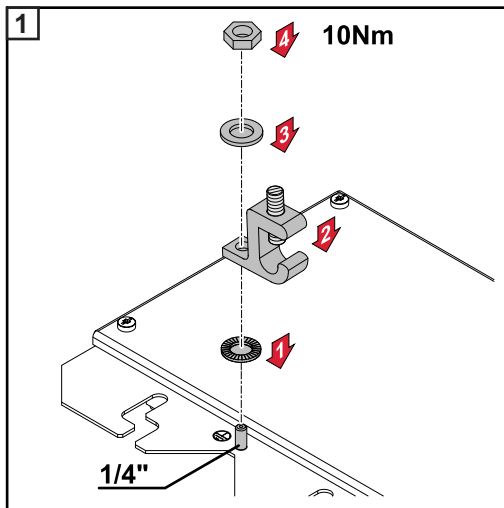


Puesta a tierra del equipo RSB - Duo

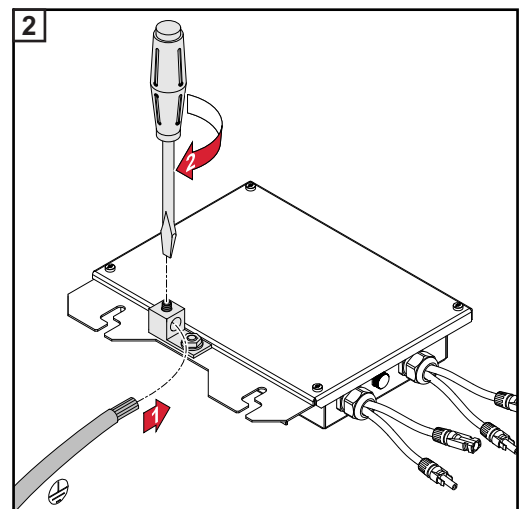
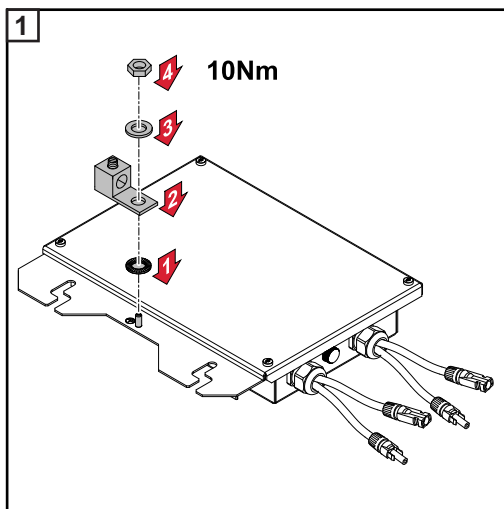


Puesta a tierra del equipo RSB - Quattro

Opcional: Conexión de la puesta a tierra al terminal de tierra - variante 1



Opcional: Conexión de la puesta a tierra al terminal de tierra - variante 2



**Conexión de la Caja de cierre rápido a un botón de parada de emergencia**

**Conexión a un botón de parada de emergencia externo:**  
 si se requiere una parada de emergencia, se puede instalar en cualquier punto de la línea de señal, utilizando los procedimientos estándar de instalación eléctrica. Al presionar el

botón de parada de emergencia, se inicia el cierre rápido y el conjunto fotovoltaico se desconecta en la caja de cierre rápido. Cuando el botón de parada de emergencia regresa a su posición original, se reconecta el conjunto fotovoltaico.

**Requisitos para el botón de parada de emergencia externo:**

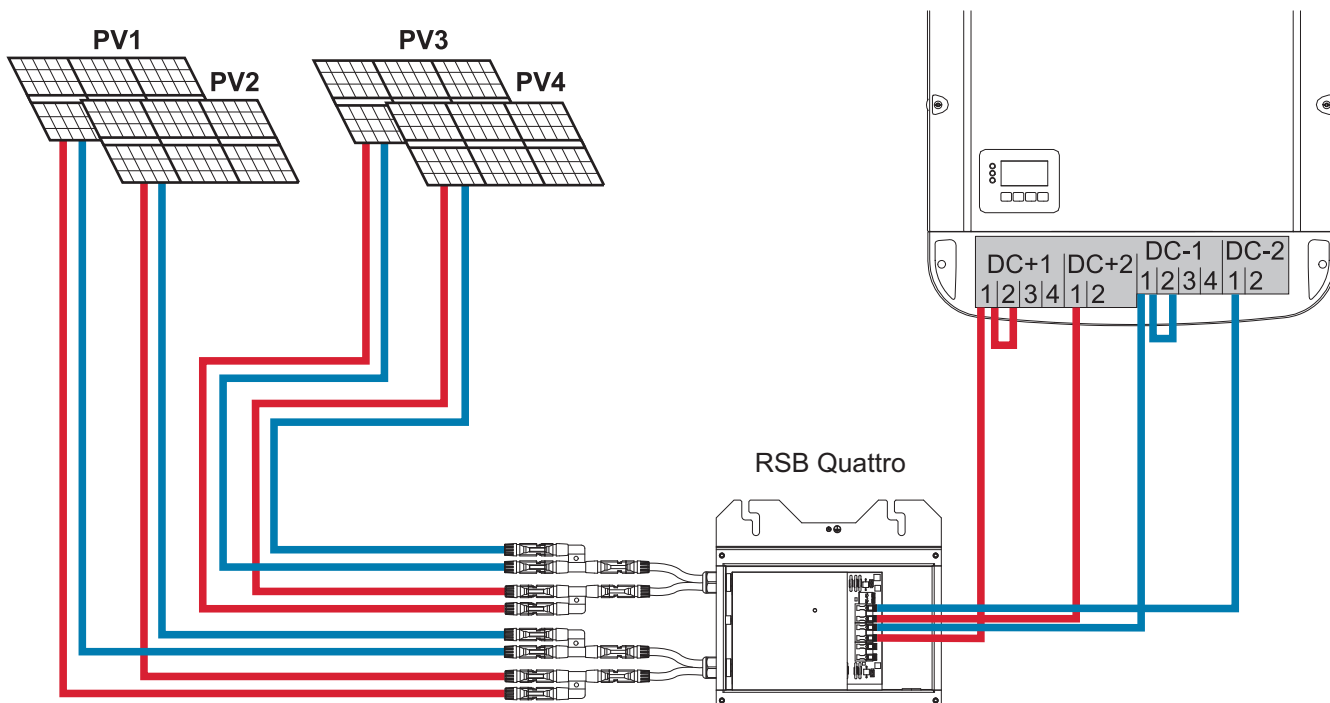
- Máxima carga de conmutación 30 VCC / 5 mA
- Voltaje nominal entre contactos y carcasa: 600 VCC

**Conexión de la Caja de cierre rápido a Fronius Primo 10.0 / 11.4 / 12.5 / 15.0**

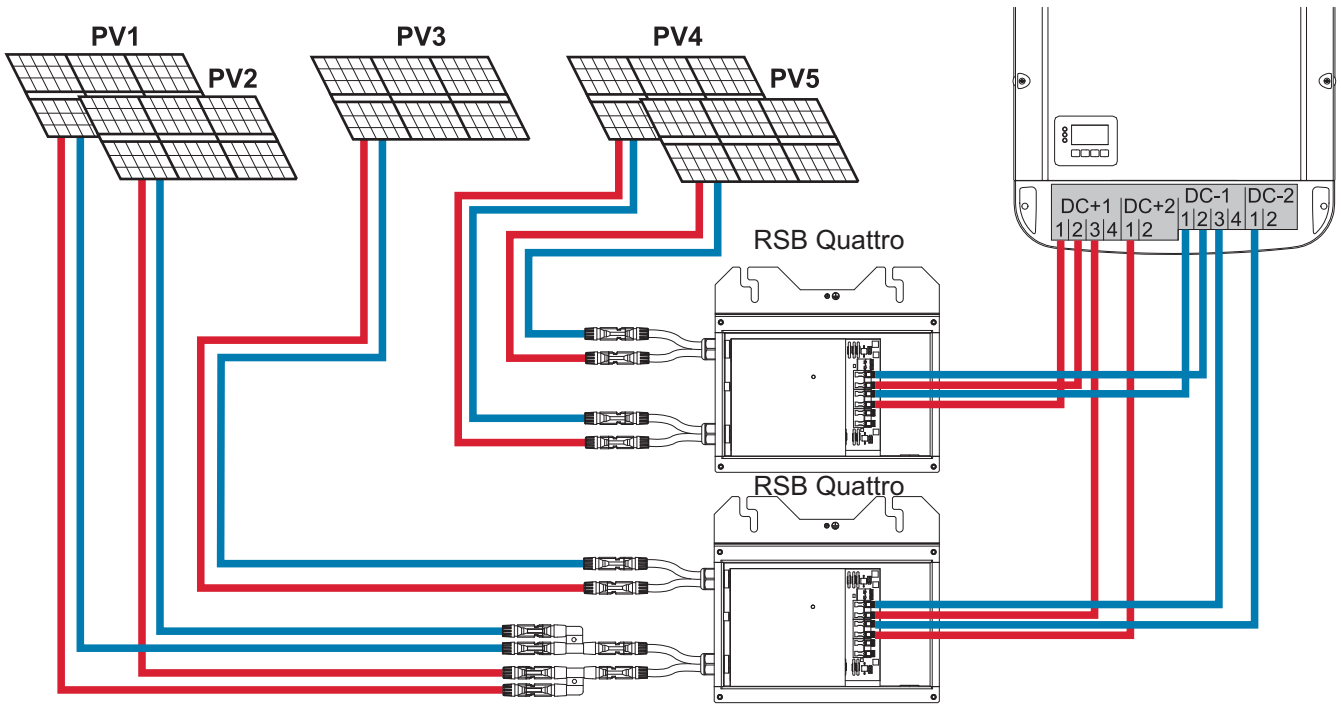
**¡IMPORTANTE!** Los esquemas de cableado muestran ejemplos de mejores prácticas suponiendo que más de dos series fotovoltaicas conectadas en paralelo requieren protección contra exceso de corriente (por ej., fusibles). Consulte el manual de instalación de Primo para conocer los detalles de los cableados conductores y fusibles.

Si varias series fotovoltaicas están conectadas a un rastreador MPP, las tensiones de estas series deben ser lo más similares posible para evitar pérdidas de energía.

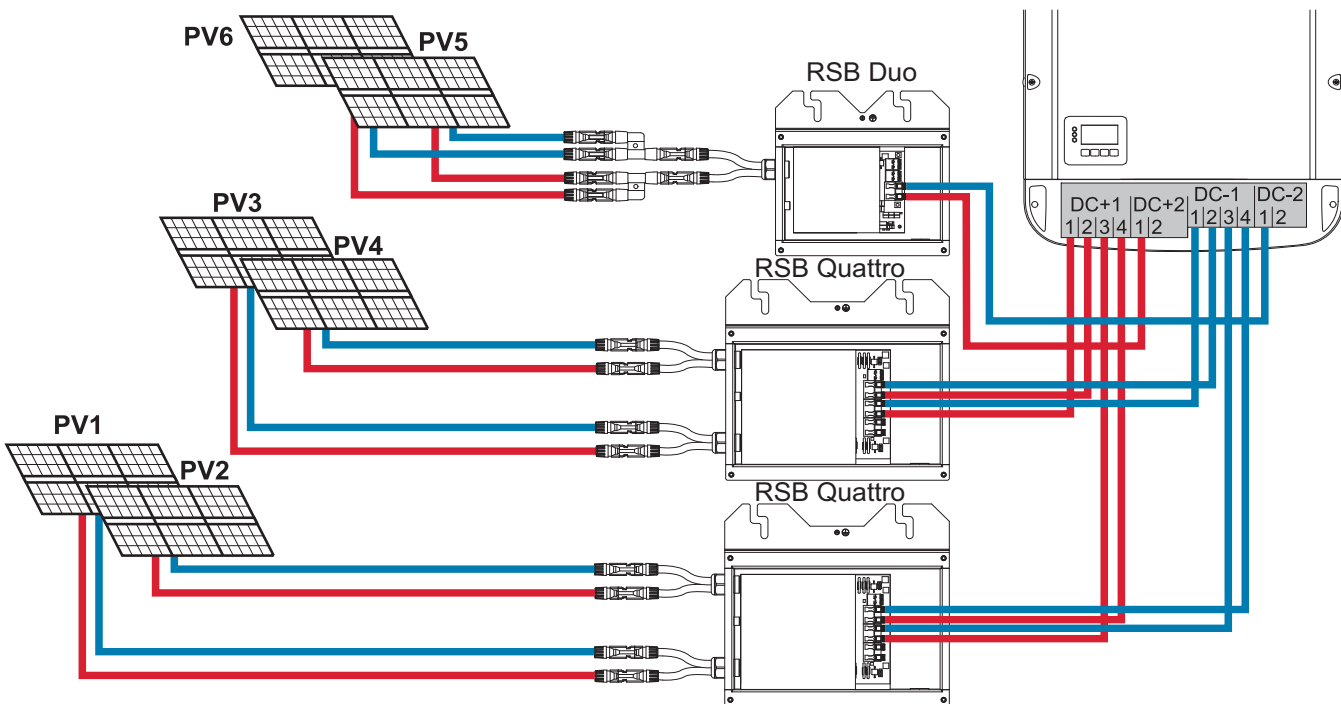
**Conexión de 4 series de módulos fotovoltaicos a Fronius Primo 10.0 / 11.4 / 12.5 / 15.0**



**Conexión de 5 series de módulos fotovoltaicos a Fronius Primo 10.0 / 11.4 / 12.5 / 15.0**



**Conexión de 6 series de módulos fotovoltaicos a Fronius Primo 10.0 / 11.4 / 12.5 / 15.0**



# Sommaire

Généralités.....	41
Sécurité.....	41
Conformité FCC / RSS.....	42
Concept d'appareil.....	42
Limites du système.....	43
Distance maximale entre la Rapid Shutdown Box et le panneau photovoltaïque.....	43
Caractéristiques techniques.....	43
Compatibilité avec les onduleurs.....	44
Code de service 307 sur l'onduleur.....	45
Initiation de l'arrêt d'urgence.....	45
Réinitialisation après arrêt d'urgence.....	46
Montage de la Rapid Shutdown Box.....	47
Schéma de perçage.....	48
Monter la Rapid Shutdown Box – Duo sur un rail.....	48
Montage de la Rapid Shutdown Box sur le mur.....	48
Raccorder la Rapid Shutdown Box.....	50
Câbler la Rapid Shutdown Box – Duo.....	50
Connecter les câbles de la Rapid Shutdown Box – Quattro.....	51
Raccorder un connecteur MC4-Y.....	52
Connexion de plusieurs Rapid Shutdown box.....	52
Indications concernant le branchement des fils aux bornes de raccordement.....	53
Connecter la Rapid Shutdown Box à un onduleur.....	53
Connecter la Rapid Shutdown Box à la terre.....	54
Connecter la Rapid Shutdown Box à un bouton d'arrêt d'urgence.....	55
Connecter la Rapid Shutdown Box à un Fronius Primo 10.0/11.4/12.5/15.0.....	56





# Généralités

## Sécurité



**AVERTISSEMENT !** Des erreurs de commande ou des travaux non conformes sont susceptibles de causer de graves blessures et dommages matériels. Seul le personnel qualifié est autorisé à mettre en service la Rapid Shutdown Box (RSB), et ce uniquement dans le cadre des réglementations techniques en vigueur. Lire les consignes de sécurité avant l'installation et les travaux de maintenance.



**AVERTISSEMENT !** Des travaux réalisés de manière non conforme peuvent entraîner de graves blessures et dommages matériels. La Rapid Shutdown Box ne doit être installée et connectée que par des électriciens agréés. Respecter les consignes de sécurité !

Avant de réaliser tous travaux d'installation ou de connexion, déconnecter l'alimentation AC de l'onduleur et l'alimentation DC de la Rapid Shutdown Box.



**AVERTISSEMENT !** Une décharge électrique peut être mortelle. Des composants électriques de taille inappropriée peuvent causer de graves blessures et dommages matériels.

- Toutes les connexions électriques doivent être réalisées conformément au National Electrical Code, ANSI/NFPA 70, ainsi qu'à toute autre réglementation en vigueur sur le site d'installation.
- Tous les travaux d'installation au Canada doivent être réalisés conformément aux normes canadiennes applicables.
- Utiliser du fil de cuivre pour toutes les bornes de raccordement à ressort.
- Utiliser du fil de cuivre à 194 °F (90 °C) min. pour tous les câbles de mise à la terre et de sortie DC.
- Voir le tableau NEC 250.122 pour les dimensions correctes des câbles de mise à la terre.
- Des chutes de tension ou autres événements peuvent indiquer que des câbles de sections plus élevées doivent être utilisés.

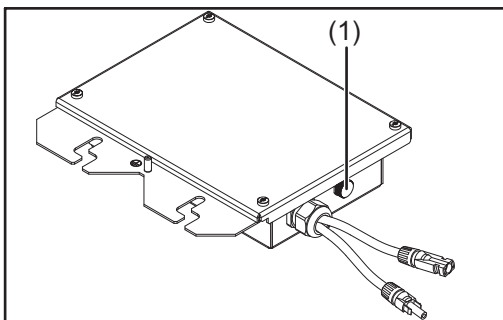


**AVERTISSEMENT !** Des conducteurs de terre inappropriés peuvent causer de graves blessures et dommages matériels. Les vis du carter fournissent une connexion avec conducteur de terre adaptée pour la mise à la terre du carter et ne doivent jamais être remplacées par d'autres vis qui ne fourniraient pas une connexion de mise à la terre fiable.

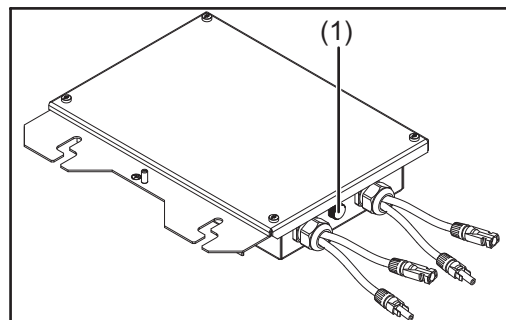


**ATTENTION !** Respecter les points suivants pour éviter tout endommagement de la Rapid Shutdown Box :


- Respecter les spécifications techniques.
- La membrane de compensation de pression (1) ne doit pas être utilisée pour l'arrivée de câble.





Rapid Shutdown Box – Duo



Rapid Shutdown Box – Quattro

 **REMARQUE!** Les modules photovoltaïques exposés à la lumière fournissent de l'énergie à la Rapid Shutdown Box lorsqu'ils sont connectés.

 **REMARQUE!** En cas d'installation en extérieur, utiliser uniquement des tuyaux et raccords étanches. Les tuyaux et raccords ne sont pas compris dans la livraison de la Rapid Shutdown Box. Les raccords de tuyaux doivent toujours être installés avec un contre-écrou. S'assurer que les raccords de tuyaux sont installés et fermés correctement.

 **REMARQUE!** Lors de la connexion de câbles DC, s'assurer que la polarité est correcte.

**IMPORTANT!** L'indicateur d'état du système (onduleur) doit être installé à proximité de l'initiateur du système, à un endroit où le voyant d'arrêt sécurisé est clairement visible. Si l'initiation de l'arrêt d'urgence est due à une perte de l'alimentation AC, l'onduleur agit en tant qu'initiateur et indicateur système.

---

## Conformité FCC / RSS



FCC

Cet appareil correspond aux valeurs limites imposées par la partie 15 des dispositions FCC pour un appareil numérique de classe B. Ces valeurs limites ont pour but d'apporter une protection appropriée contre les perturbations nocives dans les locaux d'habitation. Cet appareil produit et utilise de l'énergie à haute fréquence et peut engendrer des perturbations dans les communications radio s'il n'est pas utilisé en conformité avec les instructions. Il est toutefois impossible de garantir l'absence totale de perturbations dans une installation donnée.

Si, en désactivant puis en réactivant l'appareil, il est constaté que celui-ci perturbe la réception des ondes radio ou TV, il est recommandé à l'utilisateur d'y remédier en appliquant une ou plusieurs des mesures suivantes :

- Réorienter l'antenne de réception ou la positionner autrement
- Augmenter la distance entre l'appareil et le récepteur
- Raccorder l'appareil à un autre circuit électrique, auquel le récepteur n'est pas connecté
- Contacter le revendeur ou un technicien radio/TV spécialisé pour obtenir de l'aide

Industrie Canada RSS

Cet appareil est conforme aux normes Industrie Canada RSS exemptes de licence. Son utilisation est soumise aux conditions suivantes :

- (1) L'appareil ne doit causer aucune perturbation nocive.
- (2) L'appareil doit pouvoir surmonter toutes les influences parasites constatées, y compris les influences parasites susceptibles de perturber le fonctionnement.

---

## Concept d'appareil

La Rapid Shutdown Box permet de respecter de manière pratique et en toute sécurité l'article 690.12 de l'édition 2014 du National Electrical Code. Ce système est alimenté directement par panneau photovoltaïque et commandé en fonction de l'état du port de signalisation. Le port de signalisation peut être commandé par une borne de relais dans l'onduleur. L'utilisation d'un relais DC fonctionnant également comme interrupteur-sectionneur garantit une isolation galvanique du panneau photovoltaïque en cas d'arrêt d'urgence.

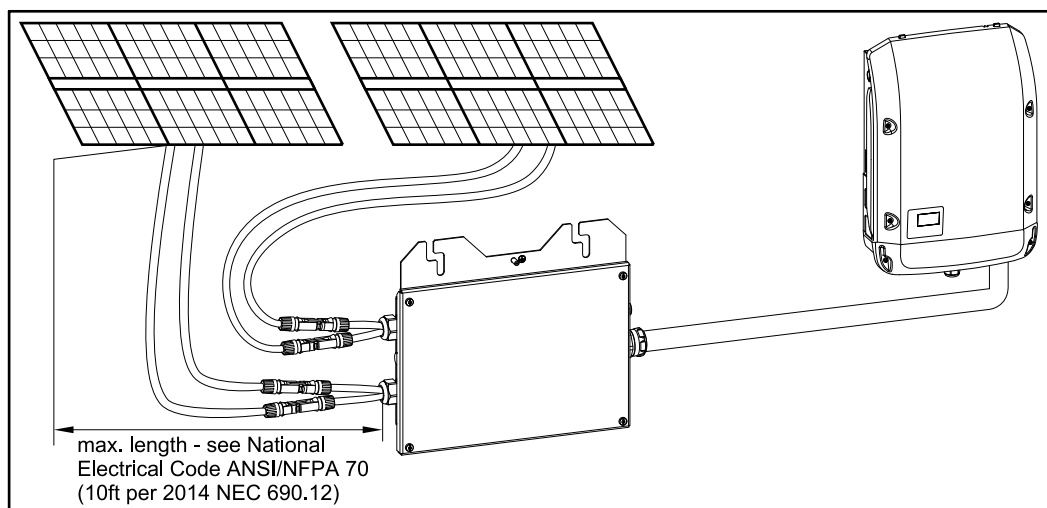
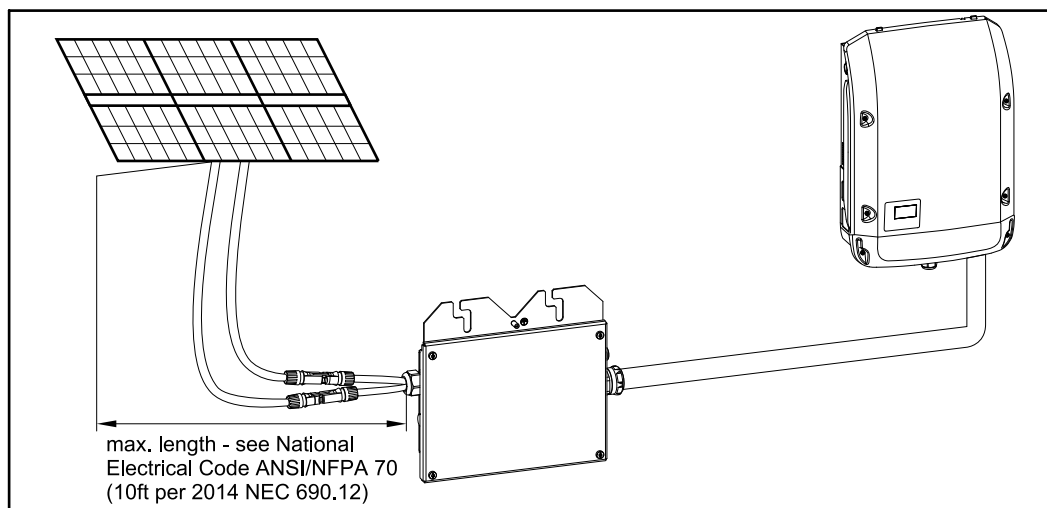
La Rapid Shutdown Box garantit une décharge en temps voulu de l'énergie résiduelle dans les condensateurs de l'onduleur. Afin de s'assurer que l'intégralité du système fonctionne correctement, les ports de signalisation de toutes les Rapid Shutdown Boxes doivent être connectés en série (voir la section « Connecter la Rapid Shutdown Box »). À cet effet, les modèles Duo et Quattro de l'appareil ainsi que les versions discontinuées RSB Single et RSB Multi peuvent être combinés de manière aléatoire.

L'arrêt d'urgence peut être initialisé en cas de panne d'alimentation AC si les lignes de signalisation sont connectées à l'onduleur. Un bouton d'arrêt d'urgence interrompant les câbles de signalisation peut également être utilisé comme alternative ou en complément.

**Limites du système**

- Nombre maximal de Rapid Shutdown Box sur un onduleur : 5
- Résistance de ligne maximale autorisée dans la boucle de signal : 300 Ω
- Longueur de câble maximale autorisée pour la boucle de signal avec AWG 14/16/18 ou 20 : 3200 ft (1 000 m)

**Distance maximale entre la Rapid Shutdown Box et le panneau photovoltaïque.**






**Caractéristiques techniques**

	RSB Duo	RSB Quattro
Tension max.	600 V DC	
Tension de départ	80 V DC	

Courant d'entrée max.	25 A	25 A/25 A
Alimentation	DC (du panneau photovoltaïque)	
Autoconsommation pendant le fonctionnement	2 W	
Température de fonctionnement admissible	-40 °C à +65 °C (-40 °F à +149 °F)	
Humidité admissible	0 à 100 % (sans condensation)	
Altitude max.	4 000 m (13 123 ft.)	
Nombre max. de circuits <i>contrôlés</i> (selon NEC)	1	2
Type de coffret	NEMA 4X	
Dimensions de l'appareil H x l x P	286 x 246,5 x 66,6 mm (11,26 x 9,7 x 2,62 in.)	351 x 293 x 66,6 mm (13,82 x 11,54 x 2,62 in.)
Dimensions de transport H x l x P	330 x 305 x 150 mm (13 x 12 x 5,9 in.)	350 x 300 x 155 mm (13,78 x 11,81 x 6,1 in.)
Poids de transport	2,7 kg (5,95 lbs.)	3,7 kg (8,16 lbs.)
Normes et réglementations	UL1741 ; LTR AE-004-2015 ; FCC15 Classe B	

### Compatibilité avec les onduleurs

Onduleur	Rapid Shutdown Box - Single	Rapid Shutdown Box - Multi
Fronius Galvo 1.5-1 208-240		
Fronius Galvo 2.0-1 208-240		
Fronius Galvo 2.5-1 208-240		
Fronius Galvo 3.1-1 208-240		
Fronius Primo 3.8-1 208-240		
Fronius Primo 5.0-1 208-240		
Fronius Primo 6.0-1 208-240		
Fronius Primo 7.6-1 208-240		
Fronius Primo 8.2-1 208-240		
Fronius Primo 10.0-1 208-240 *)		
Fronius Primo 11.4-1 208-240 *)		
Fronius Primo 12.5-1 208-240 *)		
Fronius Primo 15.0-1 208-240 *)		
Fronius Symo 10.0-3 208-240		
Fronius Symo 12.0-3 208-240		

Fronius Symo 15.0-3 208	-	-
Fronius Symo 10.0-3 480 **)		
Fronius Symo 12.5-3 480 **)		
Fronius Symo 15.0-3 480 **)		
Fronius Symo 17.5-3 480 **)		
Fronius Symo 20.0-3 480 **)		
Fronius Symo 22.7-3 480 **)		
Fronius Symo 24.0-3 480 **)		

\*) déclenchement à cause d'une panne AC uniquement avec l'étage de puissance SW2 version 0.6.34.4 ou supérieure. Voir la section Raccordement de la Rapid Shutdown Box à Primo 10.0 - 15.0 pour les détails de l'installation

\*\*) Tension DC maximale : 600 V

### Code de service 307 sur l'onduleur

#### Code de service 307 sur l'écran de l'onduleur :

Description : l'onduleur détecte une tension DC trop faible à l'entrée pour le mode d'injection dans le réseau. Lorsque ce code de service s'affiche sur une longue durée malgré la présence d'un rayonnement solaire, les étapes suivantes peuvent aider à trouver l'erreur :

- Vérifier la position du sectionneur DC sur l'onduleur – il devrait être sur ON
- Lire la tension DC sur l'écran ou la mesurer sur les terminaux de l'onduleur
  - Si la tension DC est de 0 V, cela signifie que la Rapid Shutdown Box n'est pas alimentée par le champ photovoltaïque ou qu'il n'existe pas de connexion électrique entre la Rapid Shutdown Box et l'onduleur. Vérifier le câblage DC et les entrées de la Rapid Shutdown Box ! **Au moins une chaîne doit être raccordée à l'entrée 1 de la Rapid Shutdown Box Quattro.**
  - Si la tension DC est d'environ 28 V, cela signifie que la Rapid Shutdown Box est alimentée et qu'elle attend l'autorisation au niveau des ports de signal. Vérifier le câblage ainsi que tous les commutateurs de la boucle de signal !
- Si le code de service s'affiche toujours malgré le rayonnement solaire, prendre contact avec le monteur de l'installation !

### Initiation de l'arrêt d'urgence

#### En fonction de la configuration et de l'emplacement de montage, l'arrêt d'urgence peut être initialisé de deux façons :

- **Par perte d'alimentation AC** : Si vous avez connecté le circuit de signalisation à l'onduleur (voir section Connecter la Rapid Shutdown Box à un onduleur à la page 53), vous pouvez initier l'arrêt d'urgence en déconnectant l'alimentation AC de l'onduleur (par ex. sur le panneau de service). Dans ce cas, l'onduleur détecte la perte d'alimentation AC et active les Rapid Shutdown Box afin d'isoler les panneaux photovoltaïques des conducteurs contrôlés et de les décharger.
- **Par interrupteur externe** : Si l'arrêt d'urgence ne peut pas être initié par perte d'alimentation AC ou si d'autres possibilités sont nécessaires, vous pouvez ajouter des interrupteurs externes au circuit de signalisation (voir la section Connecter la Rapid Shutdown Box à un bouton d'arrêt d'urgence à la page 55) Dans ce cas, l'arrêt d'urgence peut être initié par pression sur l'un de ces interrupteurs, activant les Rapid Shutdown Box afin d'isoler les panneaux photovoltaïques des conducteurs contrôlés et de les décharger.

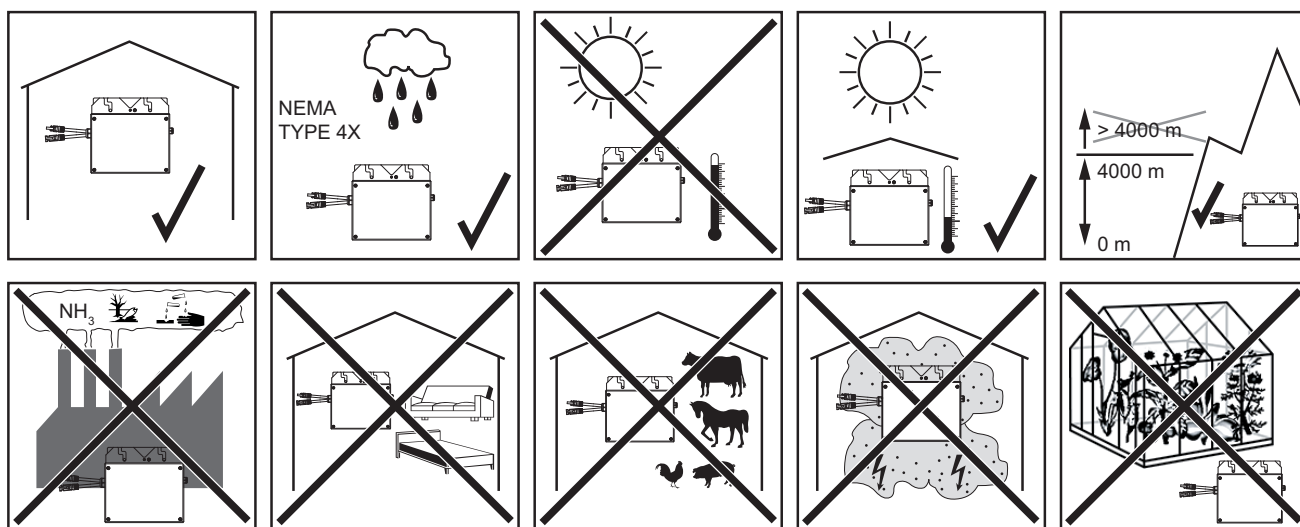
---

**Réinitialisation  
après arrêt d'ur-  
gence**

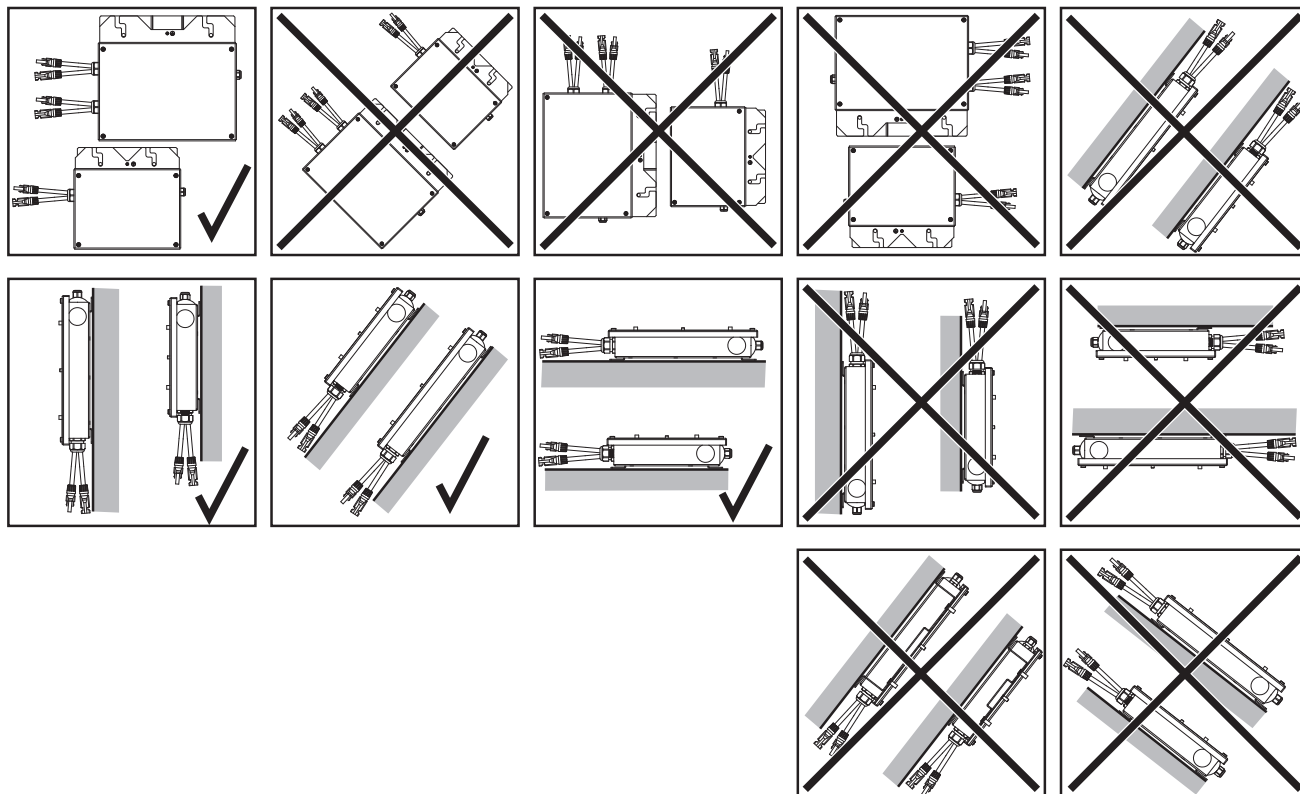
Afin de démarrer une installation photovoltaïque après un arrêt d'urgence :

- Si le circuit de signalisation est connecté à l'onduleur, l'alimentation AC doit être présente pour le redémarrage.
- Relâcher d'abord l'interrupteur utilisé pour initier l'arrêt d'urgence en position fermée.
- Contrôler le positionnement correct de tous les autres interrupteurs externes installés dans le circuit de signalisation (fermés).

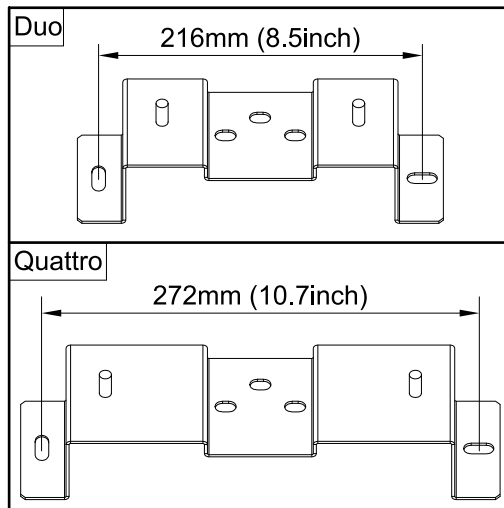
# Montage de la Rapid Shutdown Box



Positions de montage possibles lors de l'utilisation en extérieur :



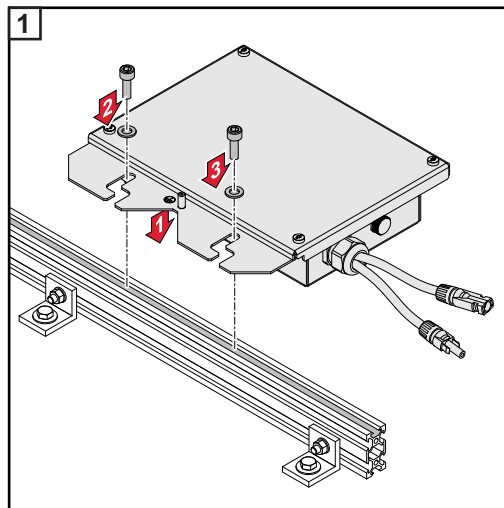
**Schéma de perçage**



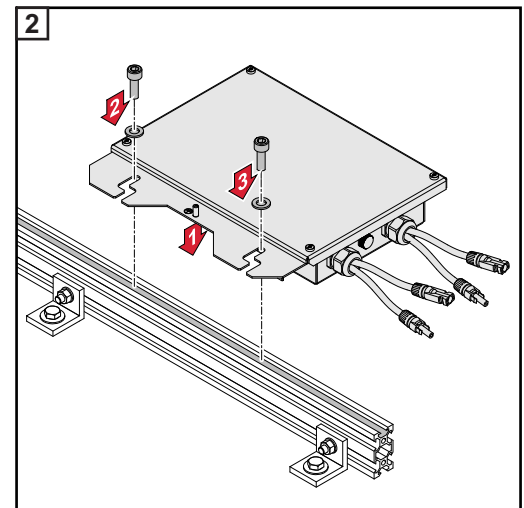
Choisir la position de montage de la Rapid Shutdown Box de manière à ce que la plaque signalétique et l'autocollant de sécurité soient encore visibles après le montage.

**Monter la Rapid Shutdown Box – Duo sur un rail**

**IMPORTANT!** Lorsque vous montez la Rapid Shutdown Box sur un rail, il est recommandé de fixer le rail en position élevée pour un meilleur confort d'installation.

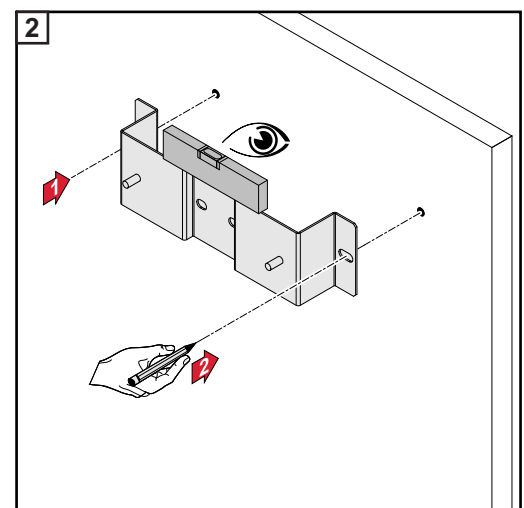
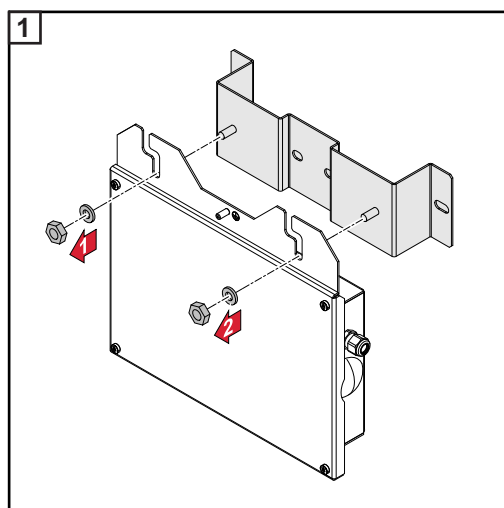


Rapid Shutdown Box – Duo

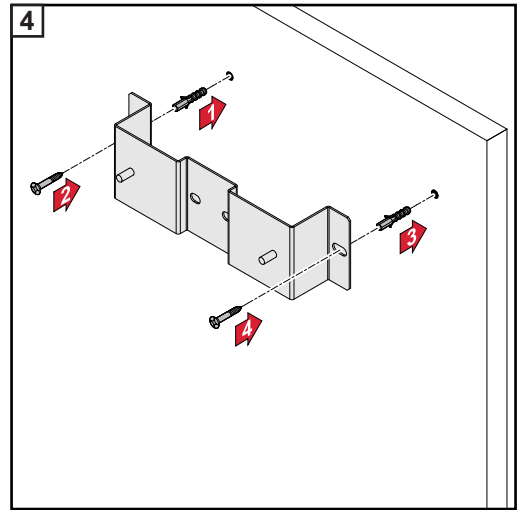
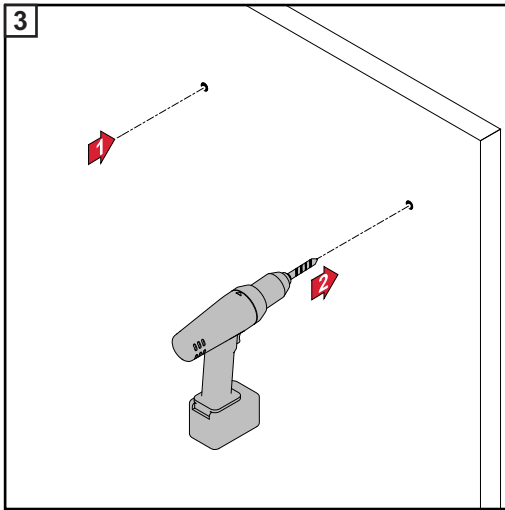


Rapid Shutdown Box – Quattro

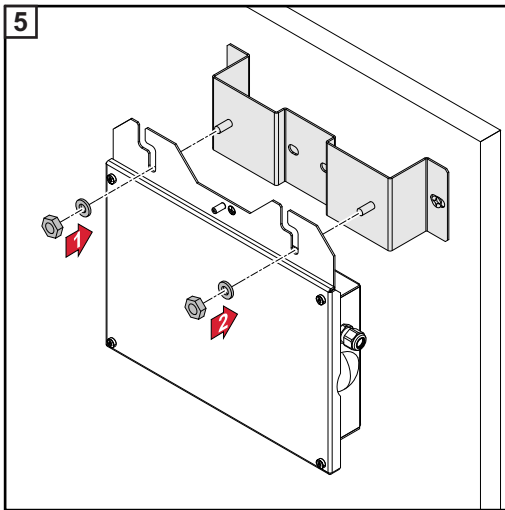
**Montage de la Rapid Shutdown Box sur le mur**







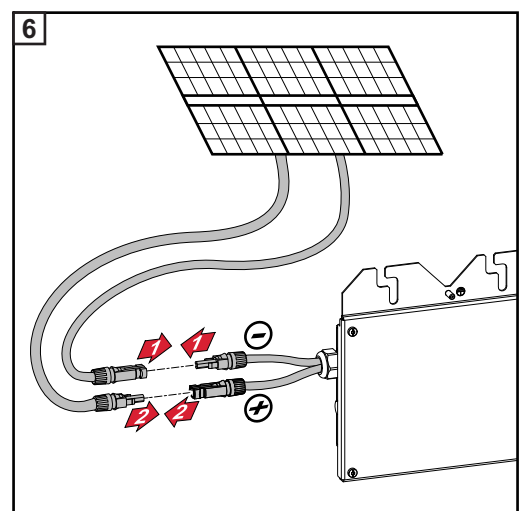
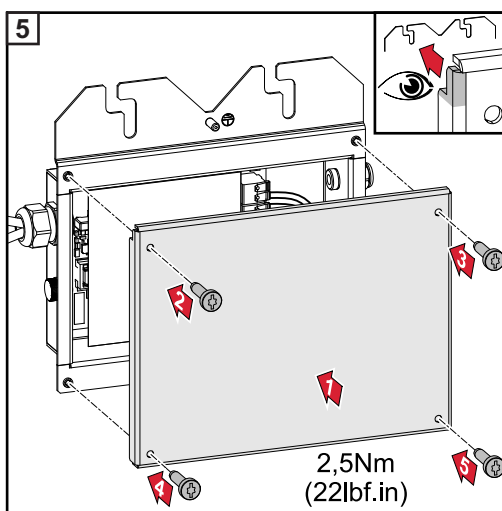
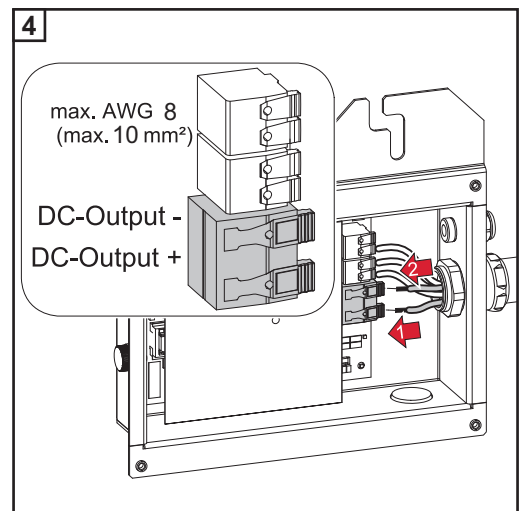
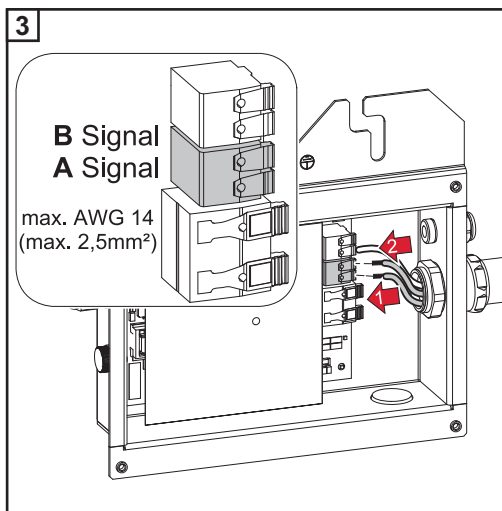
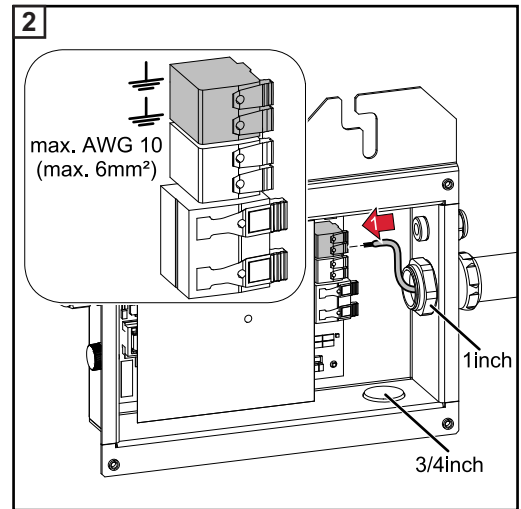
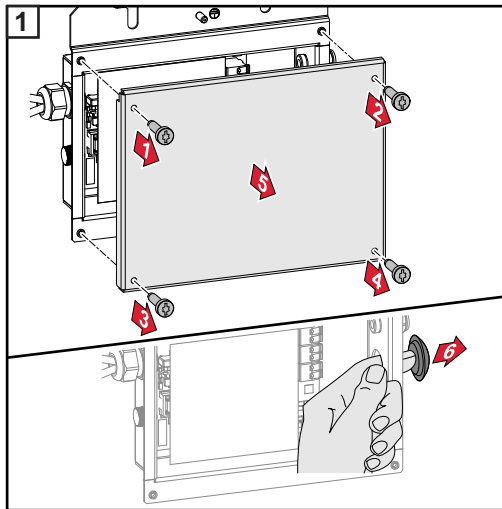
Matériel de fixation non inclus



FR

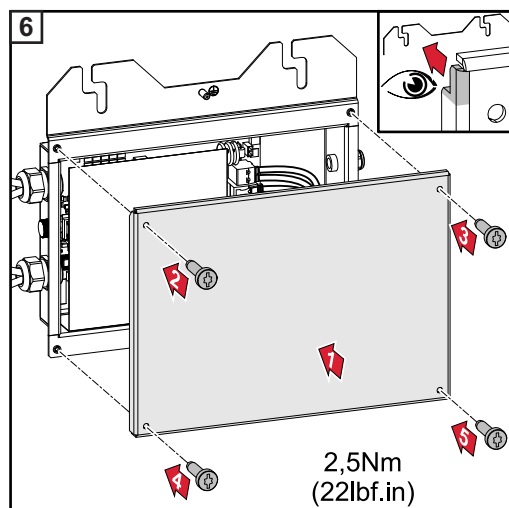
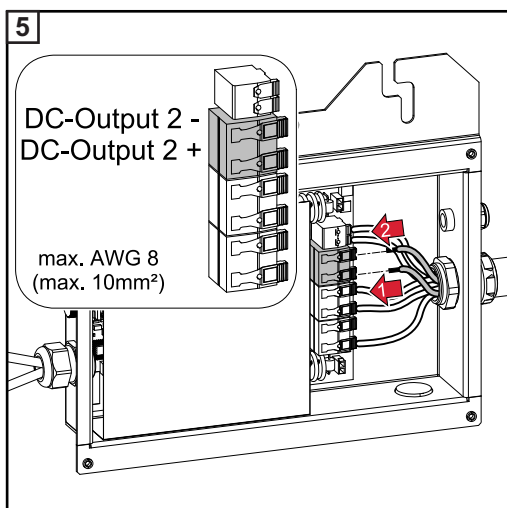
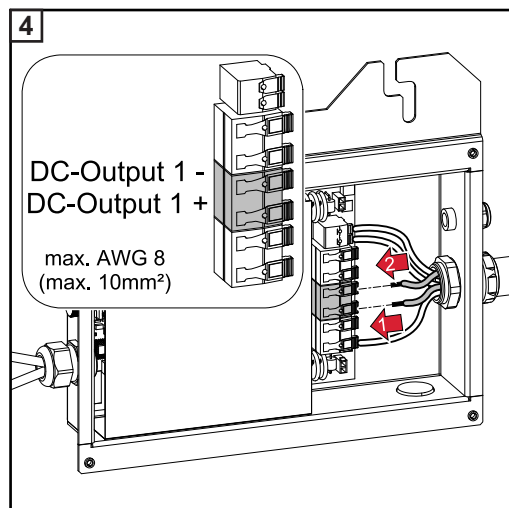
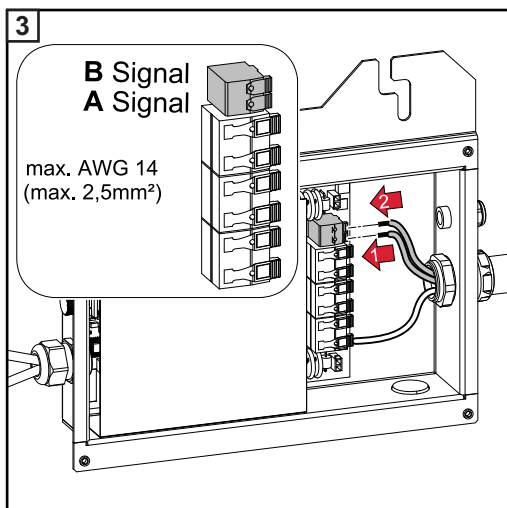
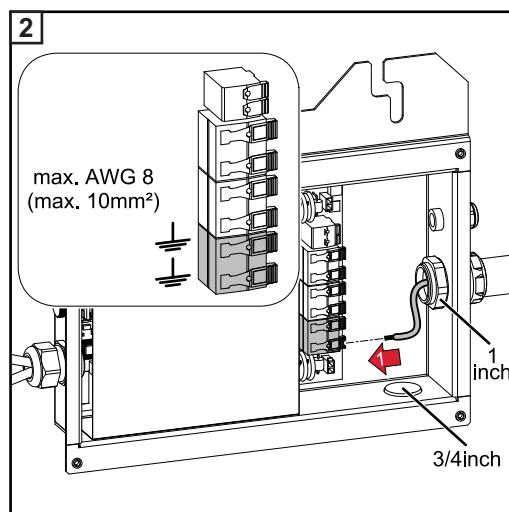
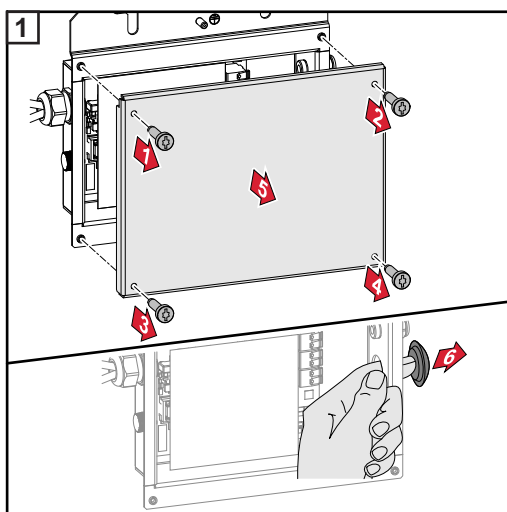
# Raccorder la Rapid Shutdown Box

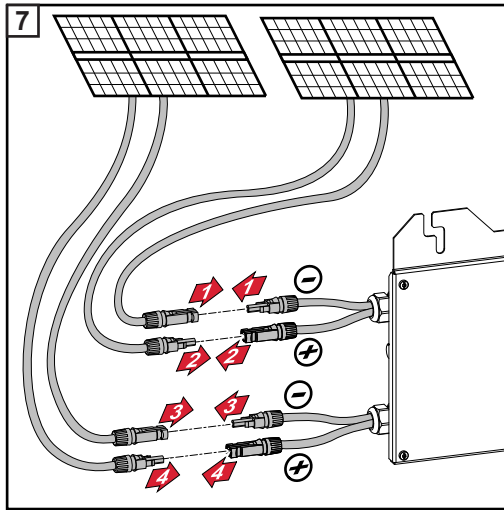
## Câbler la Rapid Shutdown Box – Duo



Connecter les câbles de la Rapid Shutdown Box – Quattro

**IMPORTANT !** Si vous utilisez 2 chaînes, au moins l'une d'entre elles doit être connectée à l'entrée 1 car la Rapid Shutdown Box est alimentée par cette entrée.

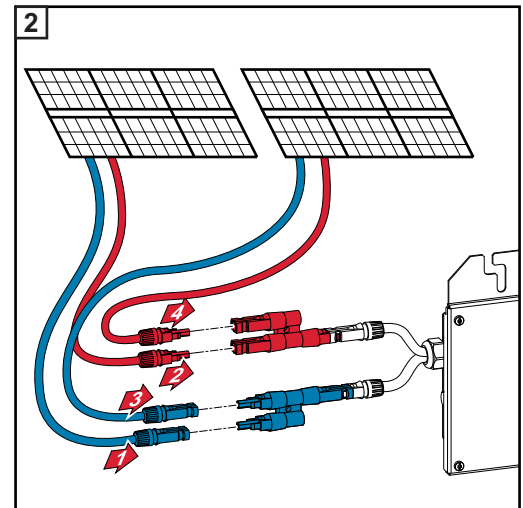
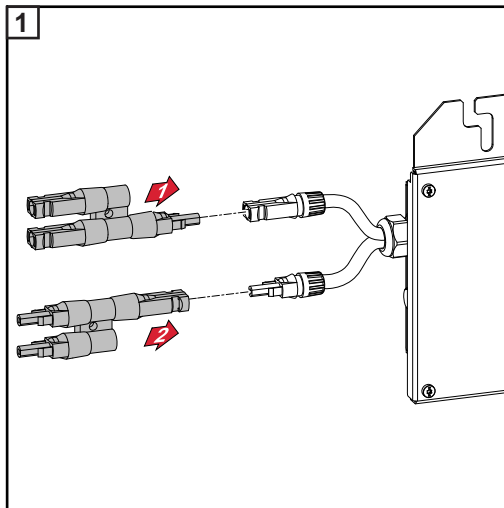




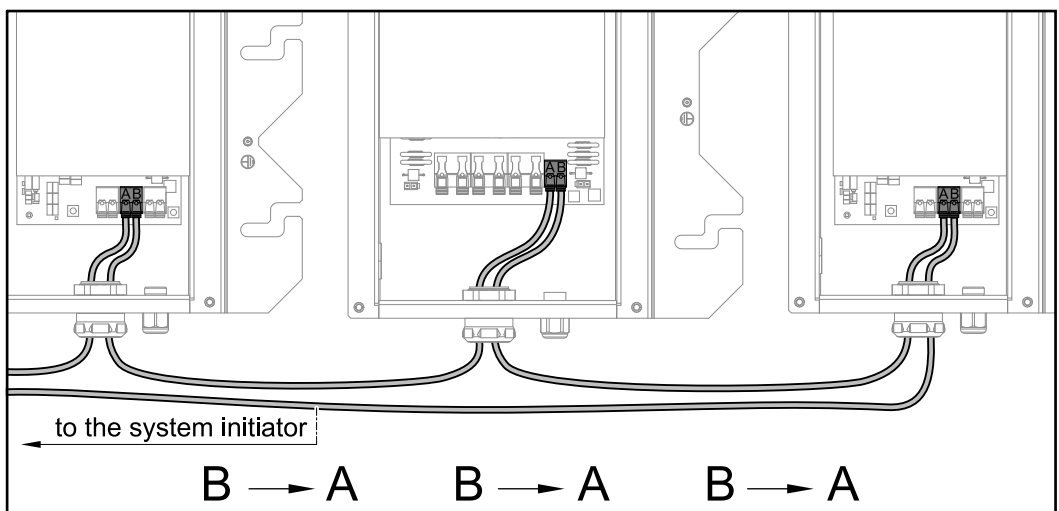
Si d'autres connecteurs que les MC4 (Stäubli) sont utilisés en combinaison avec la Fronius Rapid Shutdown Box, il est recommandé de couper les connecteurs MC4 préconfigurés et de les remplacer par les autres connecteurs de la marque souhaitée en utilisant les outils et méthodes appropriés. Le retrait du jeu de câbles du trou n'est pas recommandé et entraîne une annulation de la garantie.

### Raccorder un connecteur MC4-Y

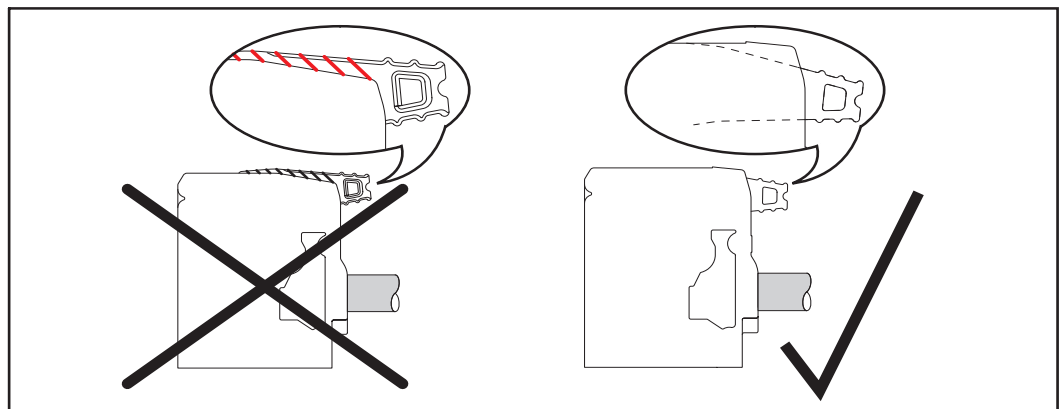
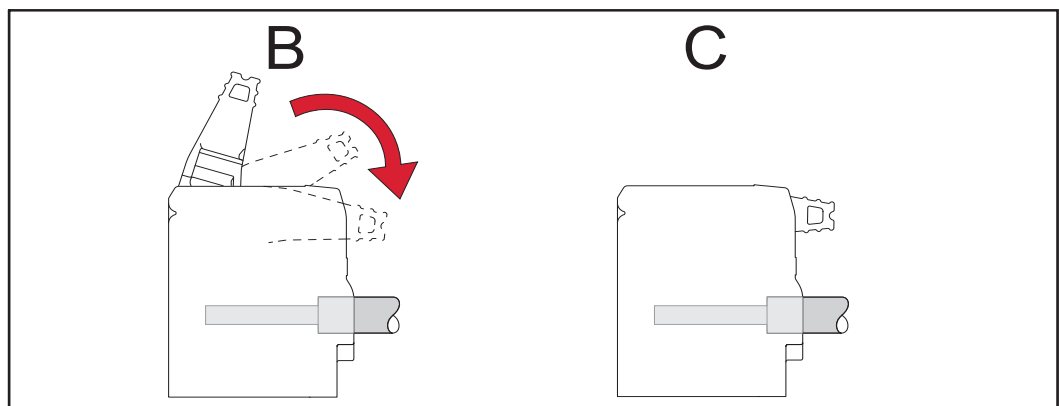
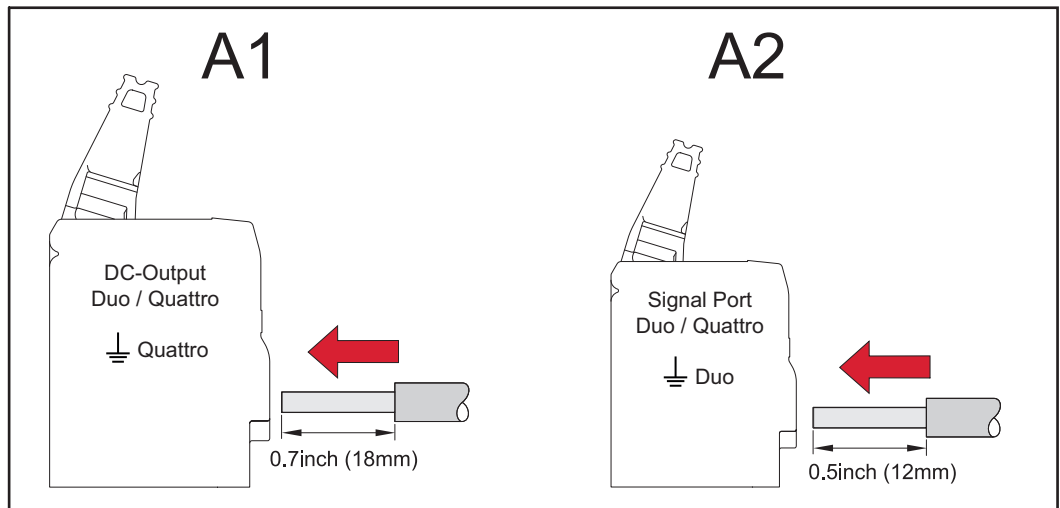
Si plusieurs chaînes sont connectées à un tracker MPP, les tensions des chaînes doivent être aussi égales que possible afin d'éviter toute perte de puissance.



### Connexion de plusieurs Rapid Shutdown box



**Indications concernant le branchement des fils aux bornes de raccordement**



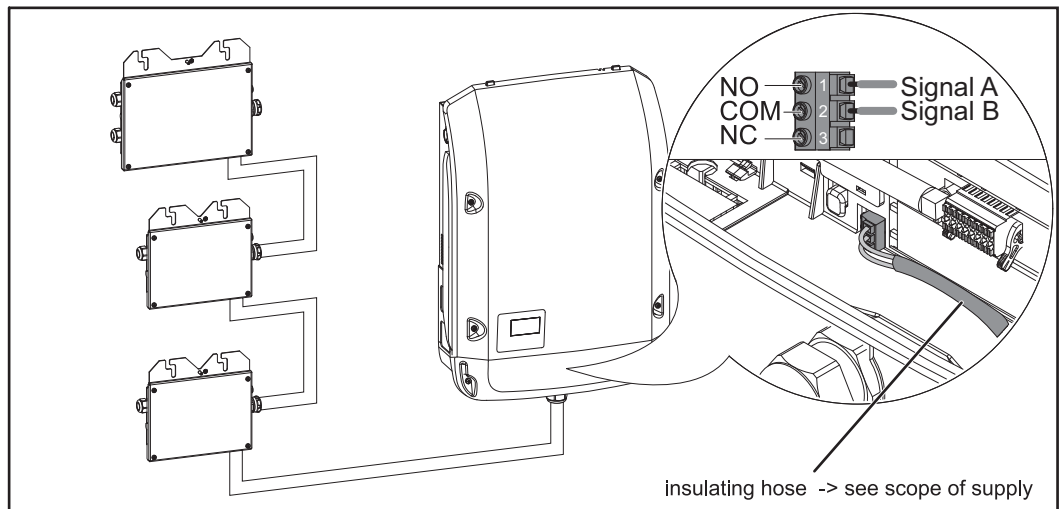
**Connecter la Rapid Shutdown Box à un onduleur**

**Connexion à l'onduleur :**

si l'alimentation AC de l'onduleur est interrompue, l'onduleur déconnecte l'alimentation DC photovoltaïque via la Rapid Shutdown Box. Dès que l'alimentation AC est rétablie, l'alimentation DC l'est également.

Le relais de signalisation dans l'onduleur Fronius est conçu pour s'ouvrir lorsque l'onduleur perd son alimentation AC, indiquant à la Rapid Shutdown Box de déconnecter le système. **Toutefois, le relais de signalisation ne peut pas être utilisé pour d'autres fonctions (gestion de l'énergie, alarme, etc.)** si l'arrêt d'urgence doit être initialisé par une panne d'alimentation AC.

L'onduleur n'a pas besoin d'être configuré après l'installation de la Rapid Shutdown Box. Si des modifications ont été réalisées dans la section de la gestion de l'énergie, contrôler cette section dans les Instructions de service de l'onduleur. L'appareil de gestion de l'énergie (mode relais) doit être réglé sur « ON » (valeur par défaut).



<b>Fronius</b>		Model No. Rapid Shutdown Box Single	<b>FC</b>
www.fronius.com		Part.No. 4,240,151	
		Ser.No.	
Udc max in/out	600 V	Enclosure Type 4X	PV RAPID SHUTDOWN SYSTEM EQUIPMENT
Idc max in/out	17 A	This device complies with UL 1741 and FCC 15 Class B	
max. No. of controlled circuits:	1	Admissible ambient temperature -40...60°C (-40...140°F)	

**WARNING** Risk of Electric shock. Do Not Remove Cover. Refer Servicing To Qualified Service Personnel. Do not remove cover until 5 min. after disconnecting all sources of supply. When the photovoltaic array is exposed to light, it supplies a dc voltage to this equipment.

**ATTENTION** Risque de choc électrique. Ne pas retirer le couvercle. Confier l'entretien à du personnel qualifié. Ne retirer le couvercle u'après 5min. suivant la déconnexion de toutes les sources d'alimentation. Lorsque le champ photovoltaïque est exposé à la lumière, il fournit une tension continue à cet équipement.

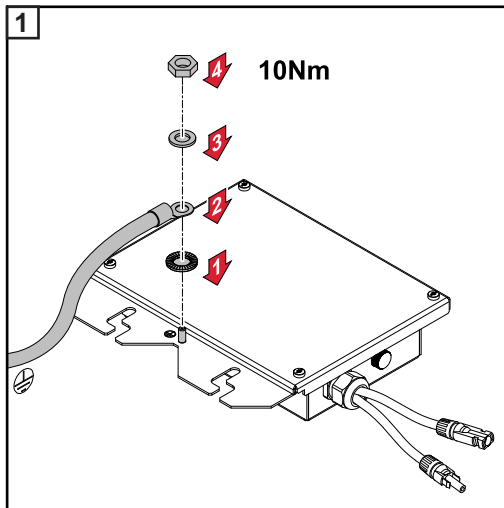
Installation:

**PHOTOVOLTAIC RAPID SHUTDOWN SYSTEM EQUIPMENT**

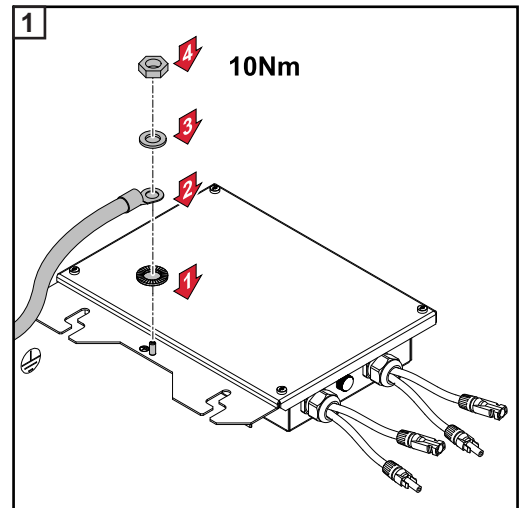
put sticker on inverter

### Connecter la Rapid Shutdown Box à la terre

L'écrou hexagonal et la rondelle élastique nécessaires pour connecter la mise à la terre sur la tige filetée sont compris dans la livraison. La tige filetée est connectée électriquement à la Rapid Shutdown Box.

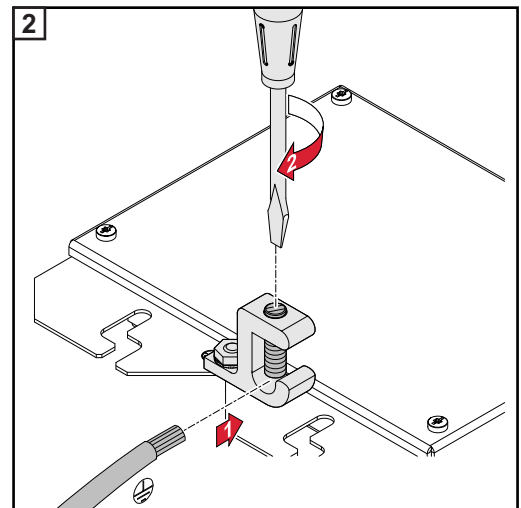
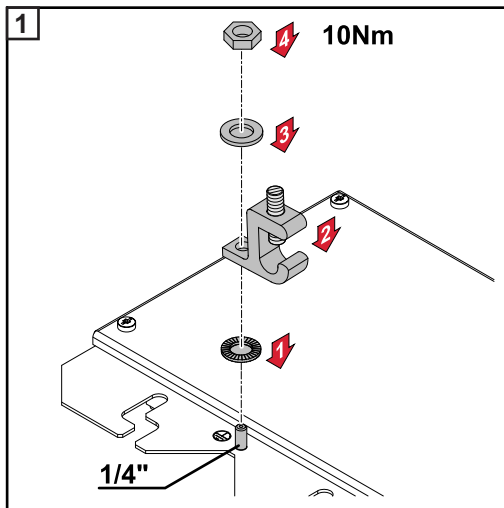


Mise à la terre de la RSB – Duo

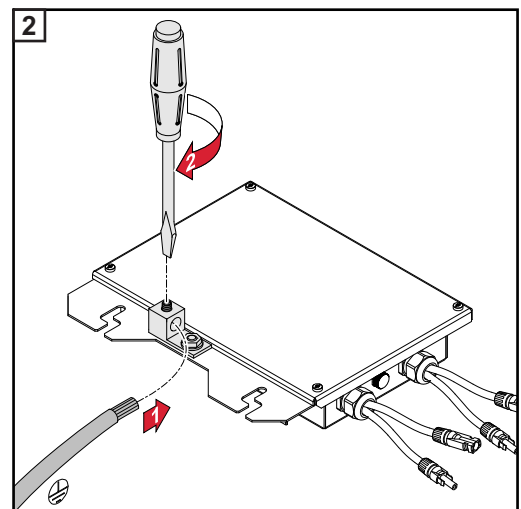
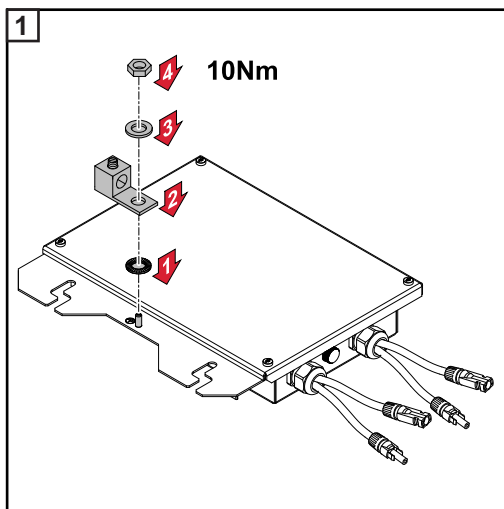


Mise à la terre de la RSB – Quattro

En option : Connecter la mise à la terre à une borne de terre – Variante 1



En option : Connecter la mise à la terre à une borne de terre – Variante 2



**Connecter la Rapid Shutdown Box à un bouton d'arrêt d'urgence**

**Connexion à un bouton d'arrêt d'urgence externe :**

si un bouton d'arrêt d'urgence externe est nécessaire, il peut être installé à n'importe quel endroit de la ligne de signalisation selon les procédures d'installation électrique standard.

Le bouton d'arrêt d'urgence permet d'initier l'arrêt d'urgence et de déconnecter le panneau photovoltaïque dans la Rapid Shutdown Box. Dès que le bouton d'arrêt d'urgence revient à sa position initiale, le panneau photovoltaïque est reconnecté.

**Exigences pour le bouton d'arrêt d'urgence externe :**

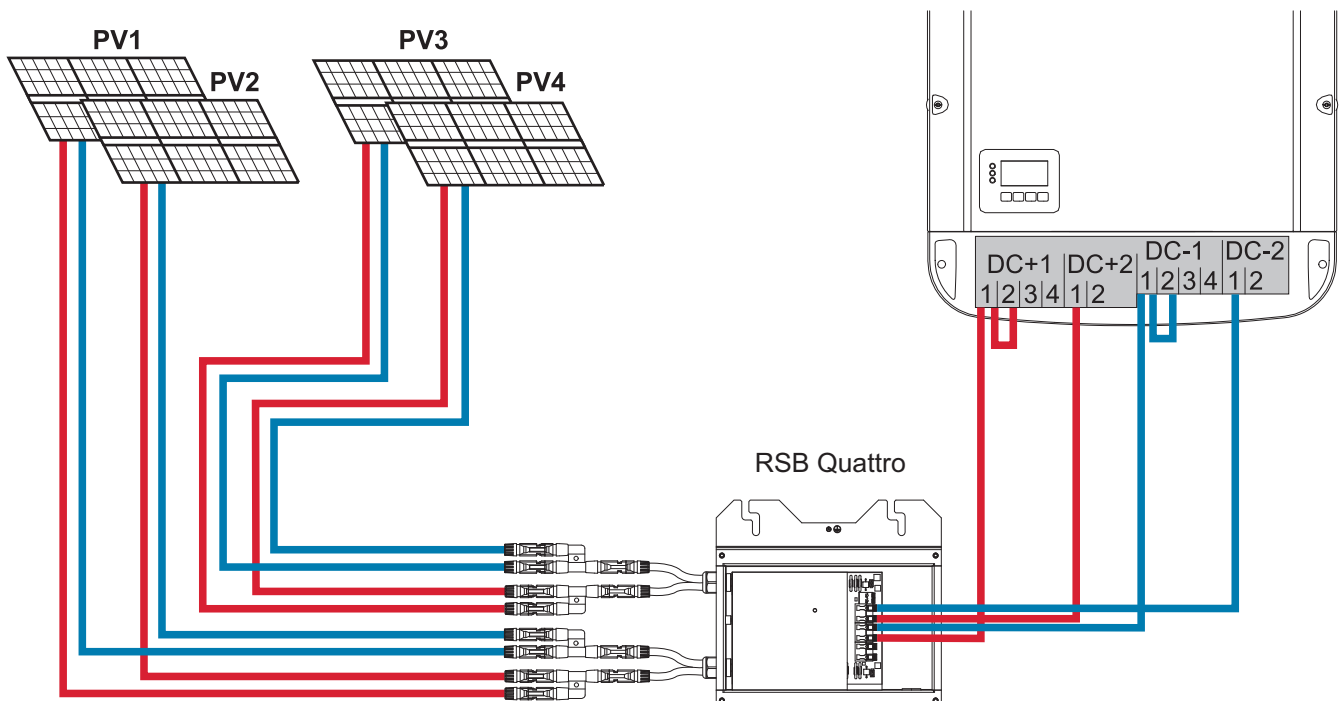
- Charge de commutation maximale 30 V DC/5 mA
- Tension nominale entre les contacts et le boîtier : 600 V DC

**Connecter la Rapid Shutdown Box à un Fronius Primo 10.0/11.4/12.5/15.0**

**IMPORTANT!** Les plans de câblage constituent les meilleurs exemples pratiques dans le cas où plus de deux chaînes photovoltaïques connectées en parallèle nécessitent une protection de surintensité (par ex. fusibles). Se référer aux Instructions d'installation du Primo pour le câblage multi-conducteur et les détails des fusibles.

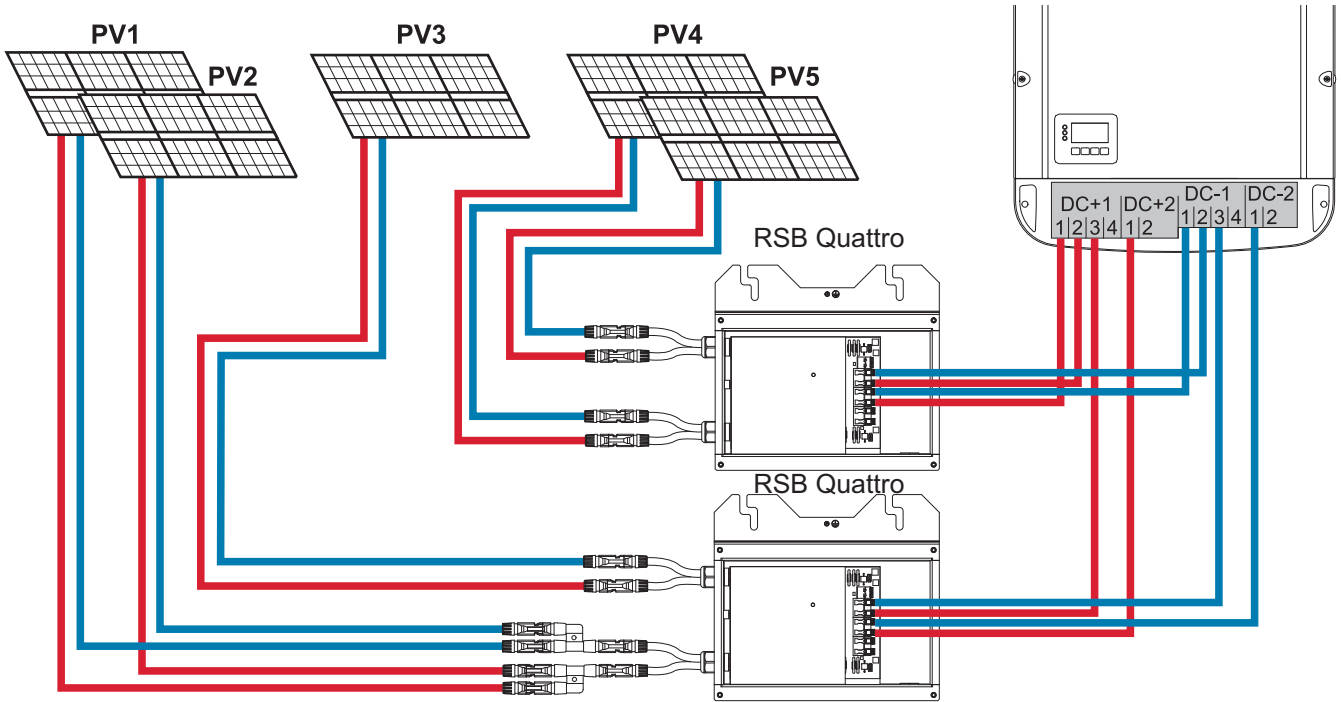
Si plusieurs chaînes sont connectées à un tracker MPP, les tensions des chaînes doivent être aussi égales que possible afin d'éviter toute perte de puissance.

**Connecter 4 chaînes de modules solaires au Fronius Primo 10.0/11.4/12.5/15.0**

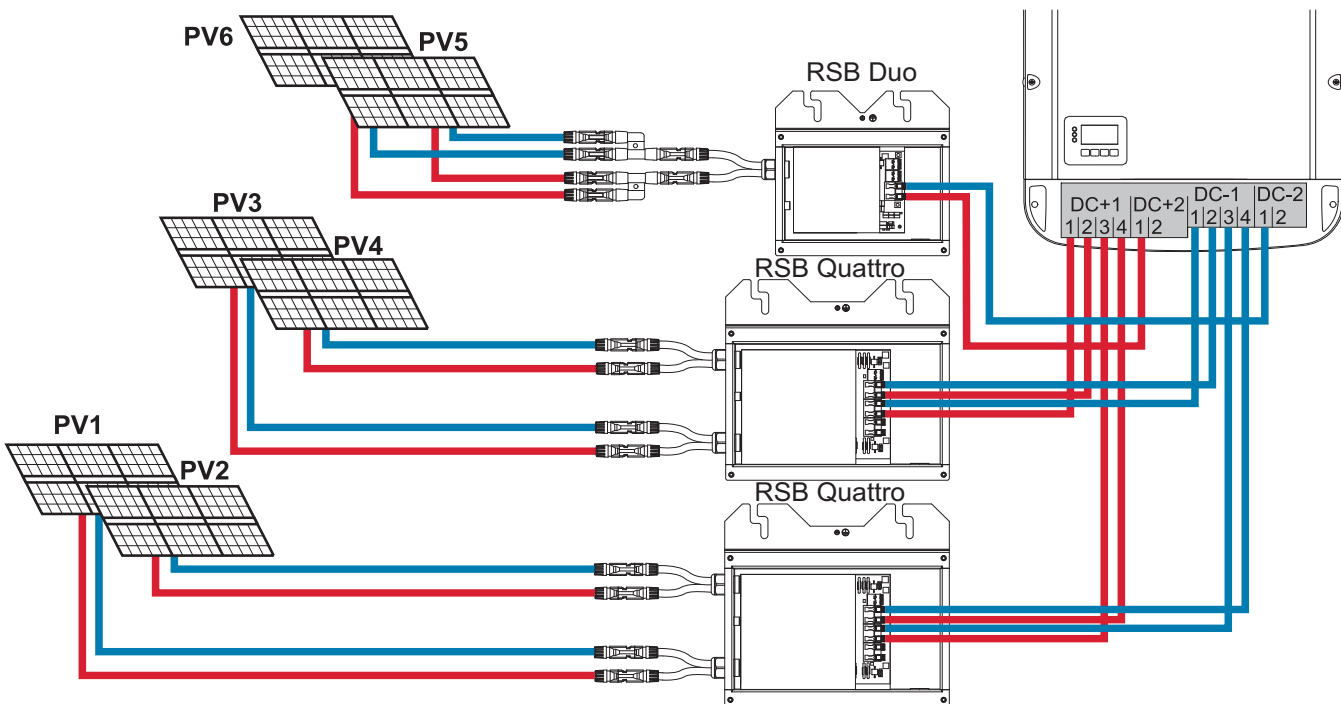




Connecter 5 chaînes de modules solaires au Fronius Primo 10.0/11.4/12.5/15.0



Connecter 6 chaînes de modules solaires au Fronius Primo 10.0/11.4/12.5/15.0



FR





# Fronius Worldwide - [www.fronius.com/addresses](http://www.fronius.com/addresses)

**Fronius International GmbH**  
4600 Wels, Froniusplatz 1, Austria  
E-Mail: [pv-sales@fronius.com](mailto:pv-sales@fronius.com)  
<http://www.fronius.com>

**Fronius USA LLC** Solar Electronics Division  
6797 Fronius Drive, Portage, IN 46368  
E-Mail: [pv-us@fronius.com](mailto:pv-us@fronius.com)  
<http://www.fronius-usa.com>

Under <http://www.fronius.com/addresses> you will find all addresses of our sales branches and partner firms!