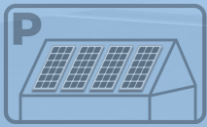
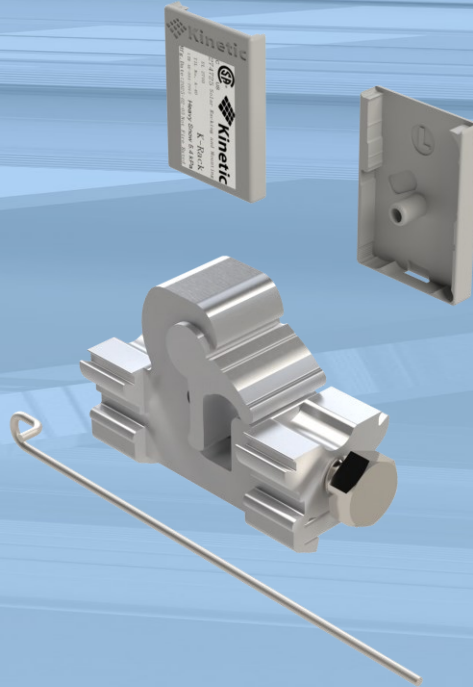


Kinetic Solar Hidden End Clamp Kits



ONE TOOL
INSTALLATION



Hidden End Clamp

The Kinetic Solar Hidden End Clamp like all Kinetic products is created with the installer in mind. The Hidden End Clamp Kit is an innovative attachment manufactured by Kinetic Solar Racking and Mounting. The Hidden End Clamp is a part of the expanding K-Rack™ line of products, which have become well known in the solar racking industry for its quality and features.

Material

Material	Aluminum (Clamp, Positioning Wand) Plastic (End Cap)
Hardware	Stainless Steel
Finish	Mill Finish

Warranty

The Hidden End Clamp is part of the K-Rack™ product line which is covered by a 25-year limited warranty. See the warranty document on our website for more details.

Certifications

The Hidden End Clamp is permit-ready with pre-engineered stamped regional drawings independently verified by a professional structural engineer. The clamp is part of the K-Rack™ product line which is covered by the certifications below.



UL 2703
TIL No. A-40

Toll Free: 1-855-665-3755
Tel: 416-665-3755
1-65 Martin Ross Ave,
North York, ON M3J 2L6
kineticsolar.com

Hidden Attachment



The Hidden End Clamp grips the top of the solar panel return, which allows for the module frame to be flush with the end of the rail, providing a unique aesthetic appearance.

Reliable Connection



The aluminum clamp has excellent corrosion resistance. It securely interlocks with the Rapid rail, while the lever clamps the module firmly onto the rail, ensuring a robust and consistent connection.


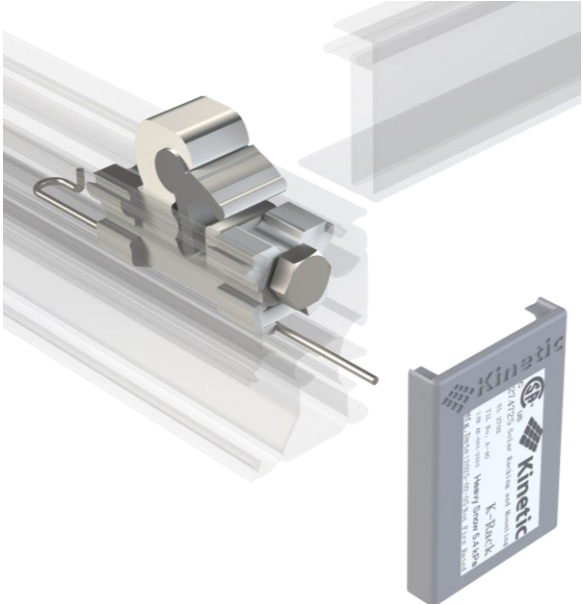

Easy Install



The Hidden End Clamp is inserted into the rail, uses a 1/2" socket and a positioning wand.

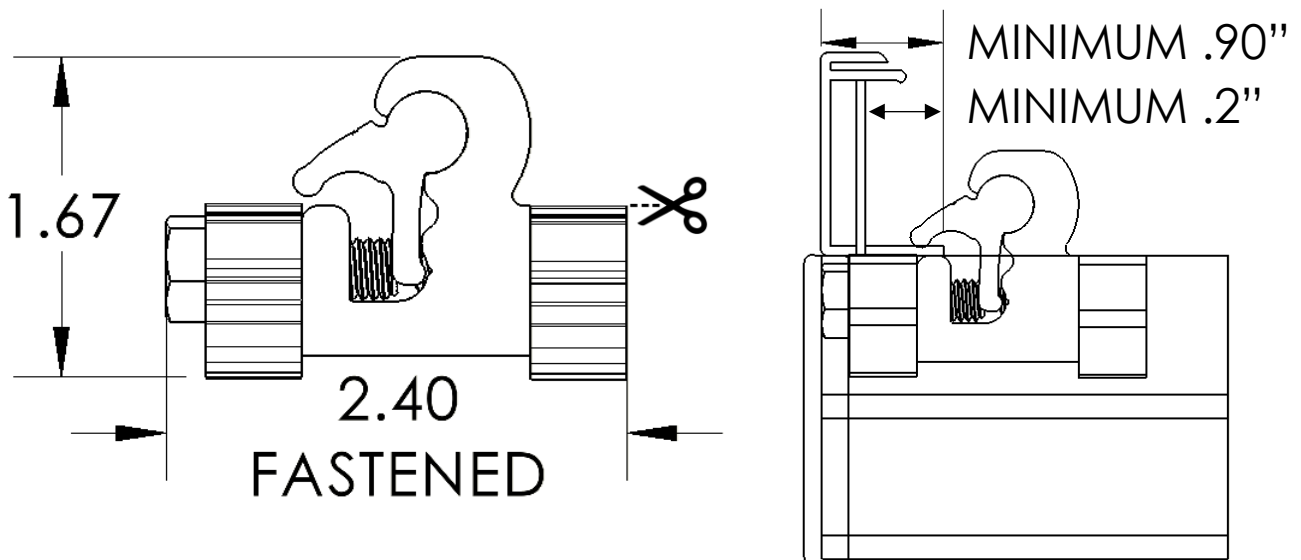


Kit

Product Name & SKU	Qty of Components	In Application
 <p>Hidden End Clamp KECHC8-MM</p>	<p>8 Hidden Rail Clamp 1 Positioning Wand 8 Rail End Cap (Grey)</p>	
 <p>Hidden End Clamp KECHC8-BM</p>	<p>8 Hidden Rail Clamp 1 Positioning Wand 8 Rail End Cap (Black)</p>	

The module frame and rail in the image are for demonstration only and not included in the Kit.
*Module long edge clamping only

Dimensions



Kinetic Solar

Kinetic Solar is a trusted North America-based manufacturer with 45+ years of experience. Our signature K-Rack™ product line is recognized within the industry for its ease of installation, superior quality.



The Specifications and key features contained in this datasheet may deviate slightly from our actual products due to ongoing innovation and product enhancement. Kinetic Solar reserves the right to make necessary adjustments to the information described here at any time. We ask that any K-Rack™ product should be handled by qualified professionals during installation and that all installation instructions are followed as per our installation guide.

© July 2025 R1. All rights reserved, Hidden End Clamp Cut Sheet



UL 2703
TIL No. A-40

Toll Free: 1-855-665-3755
Tel: 416-665-3755
1-65 Martin Ross Ave,
North York, ON M3J 2L6
kineticsolar.com

