

IMO Stacked Coast to Coast

Available at all BayWa r.e. locations

Key Features:

- 1 string to 4 string versions
- TRUE DC Isolator to UL508i
- Full string passthrough utilizing full inverter MPPT input options
- Arc suppression chamber
- High reliability self-cleaning knife contacts
- Operation independent high speed switching (3ms)
- SAFE-LOCK
- Enclosed IP66-NEMA 4X

String Capacity:

- IMO-2104
1 String
- IMO-2106
2 String
- IMO-2107
3 String
- IMO-2108
4 String

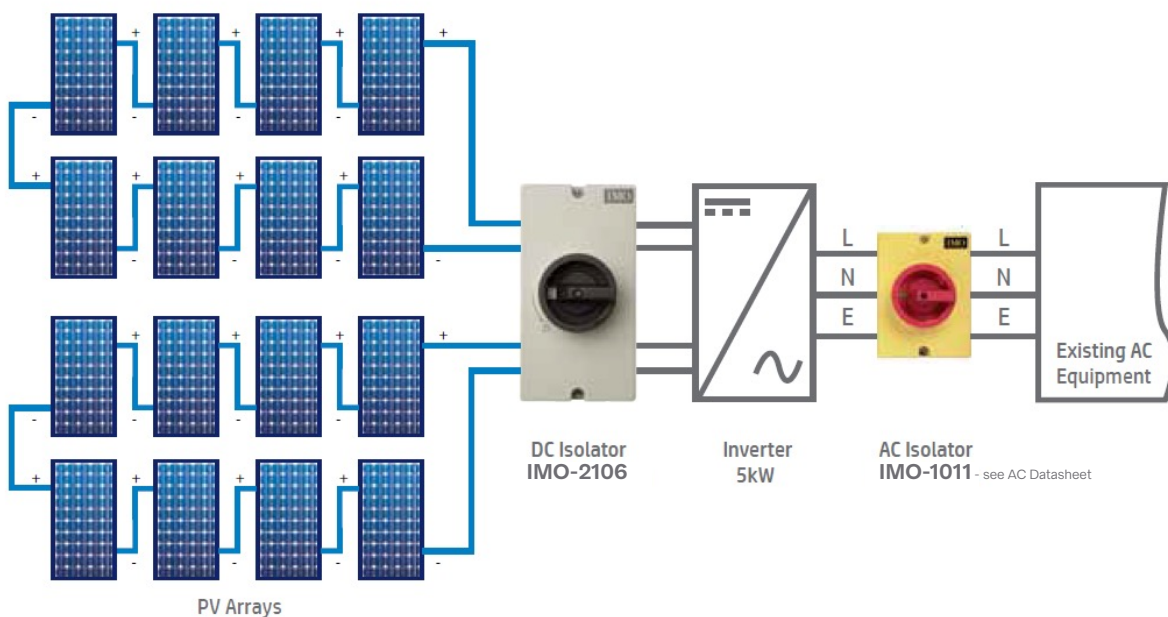


Where are DC disconnects used?

- Perfect solution for localized DC disconnection at ground mounted solar array
- Inverter installed too far away from solar array
- Local jurisdiction requirements



Example shown using a 2 string DC Disconnect



Technical Specifications

Type		IMO-2104	IMO-2106	IMO-2107	IMO-2108
UL & cUL Rated Voltage	V	600	600	600	600
Rated operational current Ie AC21AA	A	32/string	32/string	32/string	32/string
Breaking Capacity 3x220-240V	A				
Mechanical life	x10 ³	10	10	10	10
Cable cross sections	mm ²		4-16		
Solid or Stranded	AWG	12 - 6			
Tightening torque	Nm	1.7-1.8 (9-16 lb.inch)			
Max. Ambient Temperature	Operational Storage	-40°C to 45°C -50°C to +90°C			

Dimensions (mm):

Type		A	B	C	D1	D2	E	F	G	H
IMO-2104 IMO-2106	1 String 2 String	180	98	170	25/20/15/12	-	75	150	31	107
IMO-2107 IMO-2108	3 String 4 String	240	176	120	25/15	12	120	200	36	156

Similar to below using alphanumeric for dimensions:

IMO-2104 & IMO-2106

IMO-2107 & IMO-2108

