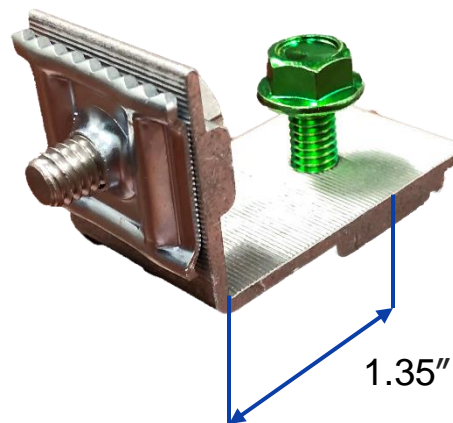


KHMNL-MA



KHMNS-MA

Description

The Microinverter Mounting Kit is an aluminum mounting kit that uses stainless steel hardware to attach a microinverter to the side of the rail.

Benefits

Multiple Microinverter Mounts can be used to accommodate larger microinverters with 2 attachment points.

Specifications

| SKU | Product Name | Max Thickness of Micro Inverter Plate | Finish |
|----------|----------------------------------|---------------------------------------|--------|
| KHMNL-MA | Side Microinverter Mount - Long | 1/2" | Mill |
| KHMNS-MA | Side Microinverter Mount - Small | 1/2" | Mill |