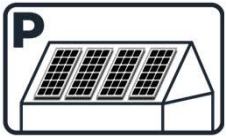


Kinetic Solar K-Flash™



ONE TOOL
INSTALLATION



The Kinetic Solar K-Flash like all Kinetic products is created with the installer in mind. The K-Flash™ is an innovative, 100% watertight flashing system made by Kinetic Solar Racking and Mounting. The K-Flash™ is a part of the ever-expanding K-Rack™ line of products, which have become known in the solar racking industry for their superb quality and features.

Material

Hardware	Stainless Steel
Flashing	Malleable Aluminum
Mounting Plate	Aluminum (Mill Finish)
Seal	Mechanical + Liquid Sealant

Warranty

The Kinetic Solar K-Flash is part of the K-Rack product line which is covered by a 20-year limited warranty. See the warranty document on our website for more details.

Certifications

*The K-Flash is part of the K-Rack product line which is covered by the certifications below.



LTR AE-001-2012
UL 2703

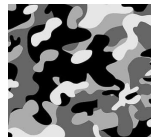
Key Benefits

Water Tight Seal



The unique raised channel provides an ideal place for sealant application on the underside while also diverting water off the top of the flashing.

Aesthetic



Made from lightweight, malleable aluminum, the flashing can easily be formed around gables or troughs. The textured, powder-coated flashing blends well with all asphalt roofs.

Fast & Secure



The baseplates can be secured to the roof with up to four self-drilling screws and have a separate blind stud on top for L-Bracket attachment, eliminating the through-holes that may cause water leakage and lead to dry rot. It easily slides under shingles during installation.



1+ 416-655-3755

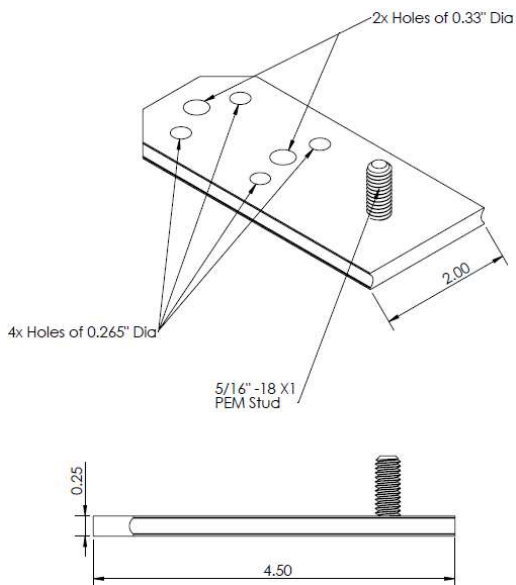
65 Martin Ross Ave Unit #1,
North York, ON M3J 2L6

kineticsolar.com

Product Name	SKU	Structural Member Attachment:			Qt	Included Components
		Strapping	Trusses	Decking		
Flashing Kit with Two 4" Self Drilling Lag Bolts	 KFLK-42S				2	5/16" x 4" Self-Drilling Screws (Coated Steel)
					1	Baseplate & Serrated Nut
					1	K-Flash
Flashing Kit with Two 4" Self Drilling Lag Bolts and Riser	 KFLR-415				2	5/16" x 4" Self-Drilling Screws (Coated Steel)
					1	Baseplate, Serrated Nut & Riser Block
					1	K-Flash
Flashing Kit with Single 4" Self Drilling Lag Bolt	 KFLK-4S				1	5/16" x 4" Self-Drilling Screws (Coated Steel)
					1	Baseplate & Serrated Nut
					1	K-Flash
Flashing Kit with Four Self Drilling Screws	 KFLK-44S				4	1/4" x 2" Self-Drilling Screws
					1	Baseplate & Serrated Nut
					1	K-Flash
* Flashing Kit with No Mounting Hardware	 KFLK-NL				1	Baseplate & Serrated Nut
					1	K-Flash

* When supplying your own attachment hardware, ensure that it can support the required loads for your project.

Baseplate



Kinetic Solar

Kinetic Solar is an Ontario-based solar racking and mounting manufacturer with 40+ years of experience. Our signature K-Rack product line is recognized within the industry for its ease of installation, superior quality, and useful features. Kinetic Solar is the trusted choice for any solar system.



The Specifications and key features contained in this datasheet may deviate slightly from our actual products due to ongoing innovation and product enhancement. Kinetic Solar reserves the right to make necessary adjustments to the information described here at any time. We ask that any K-Rack product should be handled by qualified professionals during installation and that all installation instructions are followed as per our installation guide.

© February 2023. All rights reserved, K-Flash Cut Sheet Revision 1