

# Universal L Mount



**K**  
RACK



The Universal L Mount, like all products in the ever expanding K-Rack line, is created with the installer in mind. The Universal L offers installers a faster installation, pre-installed butyl that offers a water tight seal and a versatility that lives up to the Universal in its name. The result? A mount with a high degree of flexibility without any compromise to its strength.

## Material

Hardware	Stainless Steel
Mount Body	Aluminum (Mill Finish)
Gasket	Butyl

## Warranty

The Universal L is part of the K-Rack product line which is covered by a 20 year limited warranty. See the warranty document on our website for more details.

## Certifications

\*The Universal L is part of the K-Rack product line which is covered by the certifications above.



LTR AE-001-2012  
UL 2703

US  
274725



1+ 416-655-3755

65 Martin Ross Ave Unit #1,  
North York, ON M3J 2L6

[kineticsolar.com](http://kineticsolar.com)

## Key Benefits

### Faster Install



The Universal L Mount requires as little as one bolt cutting both installation time and material costs.

### Water Tight Seal



The pre-installed Butyl seals the mount to the roof surface to prevent leaks. A retaining lip prevents the Butyl from spreading away from the fastener.

### Truly Universal



With a simple design and 4 different hardware options available, the Universal L mount can mount to most shingled and metal roofs.

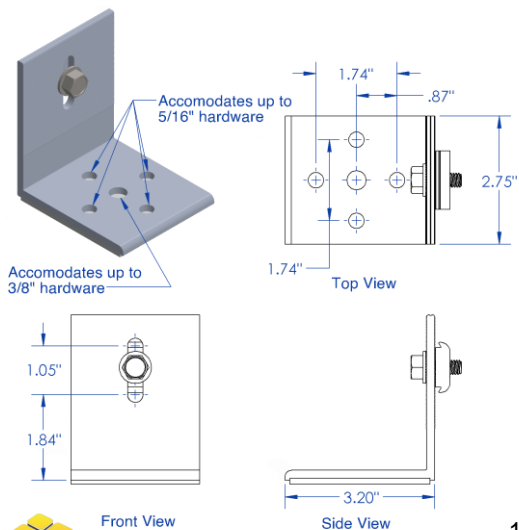


Kit Name	Kit SKU	Strapping	Trusses	Decking	Qty	Components
Universal L Mount Kit with 3" Lag Bolts	KVLM-3-MM				2	5/16" x 3" lag bolts (KHLB5-30)
					1	Pre-installed butyl gasket
					1	Pre-installed L-Bracket Attachment Kit
Universal L Mount Kit with 4" Lag Bolts	KVLM-4-MM				2	5/16" x 4" lag bolts (KHLB5-40)
					1	Pre-installed butyl gasket
					1	Pre-installed L-Bracket Attachment Kit
Universal L Mount Kit with One Self Drilling 4" Bolt and Neoprene Washer	KVLM-4S-MM				1	Kinetic 4" self drilling screw (KHL5S-40)
					1	Pre-installed Butyl gasket
					1	Pre-installed L-Bracket Attachment Kit
Universal L Mount Kit with Four 1 1/2" Self Drilling Screws and Neoprene Washer	KVLM-6N-MM				4	1/4" x 1 1/2" self drilling screws. (KHL6N-35)
					1	Pre-installed butyl gasket
					1	Pre-installed L-Bracket Attachment Kit
Universal L Mount- No Mounting Hardware †	KVLM-NH-MM				1	Pre-installed butyl gasket
					1	Pre-installed L-Bracket Attachment Kit

\* When supplying your own attachment hardware, ensure that it has sufficient pull out strength for your project.

† Requires use of any one of the above hardware configurations or 1 3/8" x3" Lag Bolt into truss/joist

## Critical Dimensions



## Kinetic Solar

Kinetic Solar is an Ontario based solar racking and mounting manufacturer with 40+ years of experience. Our signature K-Rack product line is recognized within the industry for its ease of installation, superior quality and useful features. With over \_\_\_ K-Rack systems sold generating \_\_\_ GW, Kinetic Solar is the trusted choice for any solar array.

The Specifications and key features contained in this datasheet may deviate slightly from our actual products due to ongoing innovation and product enhancement. Kinetic Solar reserves the right to make necessary adjustments to the information described here at any time.

We ask that any K-Rack product should be handled by qualified professionals during installation and that all installation instructions are followed as per our installation guide.

1+ 416-655-3755

65 Martin Ross Ave Unit #1,  
North York, ON M3J 2L6

