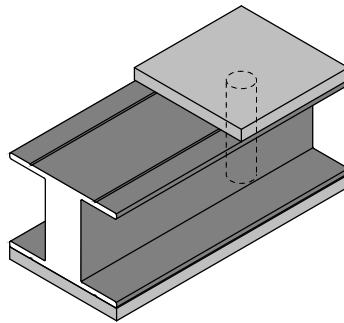


May/2023

INSTALLATION MANUAL

Conduit Mount



10620 Treena St, Suite 230
San Diego, California 92131
TEL (858) 935-6064
www.roof-tech.us

INSTALLATION MANUAL

Contents

Introduction

Introduction	1
Tools & Supplies Required for Assembly	2

Installation Safety

Moisture Content	3
Installation Safety	4

Materials	5
-----------------	---

Mount Installation

Installation on a Asphalt Shingles	6
Installation on a Metal Roofing	8
Installation on a Composite Slate	10
Installation of on Other Roofing Materials	13
Installation of Conduit Mount	
1) For a conduit strap,	14
2) For a conduit hanger,	17
3) Butyl or Sealant application	19
4) Other	20

Introduction

Please review this manual thoroughly before installing your Roof-Tech system.

Roof Tech products shall be installed on a roof with wood decking of plywood or OSB.

Installation on plank or skip sheathing roof deck is not recommended. Maintaining the waterproof integrity of the roof.

Attention

To maintain the flashing performance, avoid installation when the ambient temperature is below 22F or above 176F. RT Butyl must be installed on a dry surface.

Attention

Use caution not to catch your foot on the conduit. Conduit and/or screw may come off from the Mount.

Tools & Supplies Required for Assembly

- Hex socket 5/16" or 8mm (for the Screw)
- Drill Bit 1/4" or ϕ 6.5mm (for the Composite Slate)
- Measuring tape
- Chalk line
- Center punch
- Hammer
- Caulking gun

Moisture Content

RT Butyl Flexible Flashing is to be installed on dry mounting surfaces.

Determining how wet is too wet:

First, remove the protective paper from an RT product exposing the clean RT Butyl.

Second, press the base, RT Butyl side down against the surface.

Third, pick up the base. If the base adheres to the roof, the roof is suitably dry for installation.

For Metal, EPDM and TPO remove water from the installation area with a cloth squeegee before placing and affixing the base.

A heat gun, Sodium Chloride, or alcohol is suitable to remove ice from the roof surface.

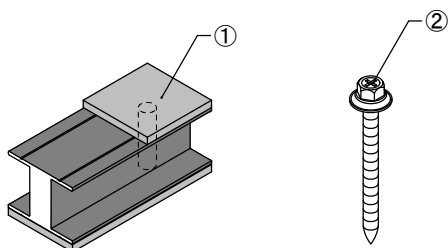
Installation Safety

The installation process requires working on sloped and elevated building surfaces, in outdoor weather conditions, using tools and heavy components designed for the generation of electricity.

- Use properly anchored fall protection equipment.
- Use caution to prevent objects from falling or dropping off the roof area.
- Cordon off ground areas directly beneath the roof work area when possible.
- Always use personal protection equipment such as safety glasses, gloves, etc.
- Do not perform installation in excessively wet, windy, or inclement weather conditions.
- When working in hot weather, work crews should take care to prevent symptoms of over-heating or dehydration.
- Use proper lifting and carrying techniques when handling heavy components at the job site.
- Follow best practices when working around high-voltage electrical equipment.
- Do not anchor fall protection equipment to roof mounts, or any other inappropriate roof structure.

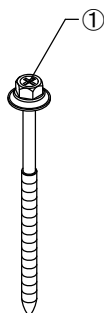
① Conduit Mount Set

	Part Name	QTY/BOX
①	Conduit Mount	20
②	Screw 5.0×60	20



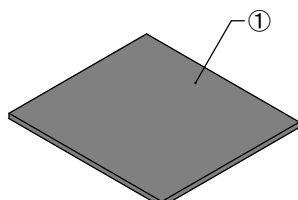
② Screw (Optional)

	Part Name	QTY/BOX
①	Screw 5.0×90	1,000



③ Butyl (Optional)

	Part Name	QTY/BOX
①	RT-Butyl	10

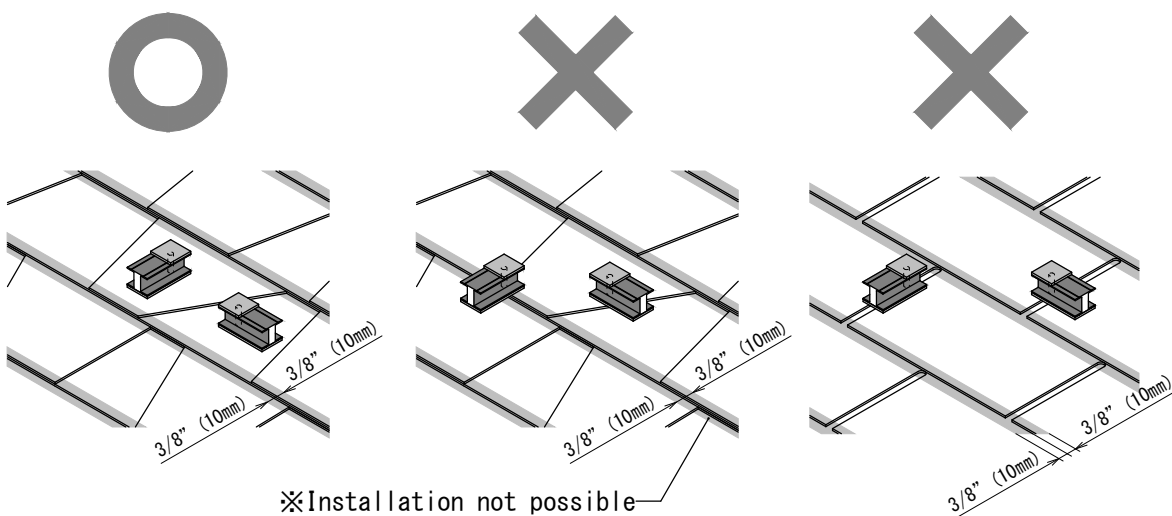


※Conduit clamps, conduits, and roof sealants not included.
 ※Suitable for 1", 3/4", or 1/2" conduit clamps.

Installation on a Asphalt Shingles

! Attention

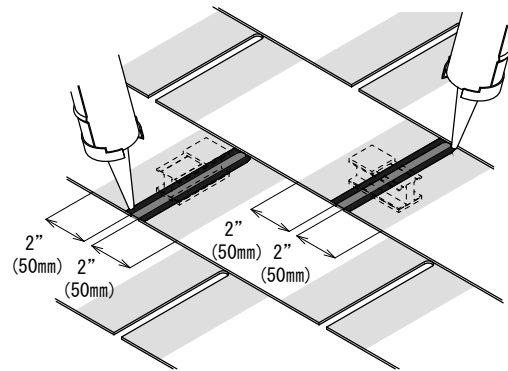
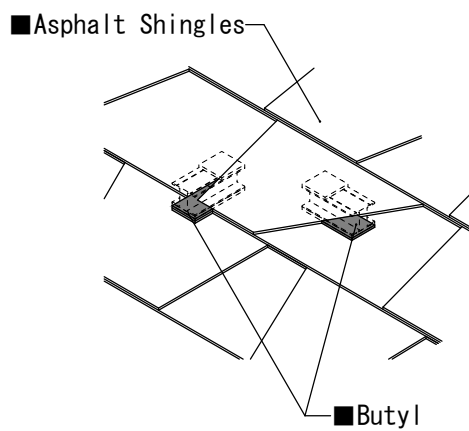
Install the Conduit Mount on a flat surface of the Asphalt Shingles.
Please do not install over a slit or uneven roof surfaces.
Minimum clearance between mounting screws and the edge of the Asphalt Shingles shall be 3/8" (10 mm).



! Attention

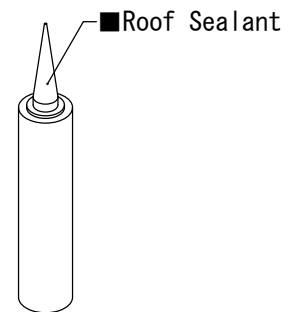
For installation across steps, use butyl or sealant to align the height of the roofing material.

For installation within 50 mm of a gap or crevice, the gap to be filled with butyl or sealant



【Roof sealant recommended products】

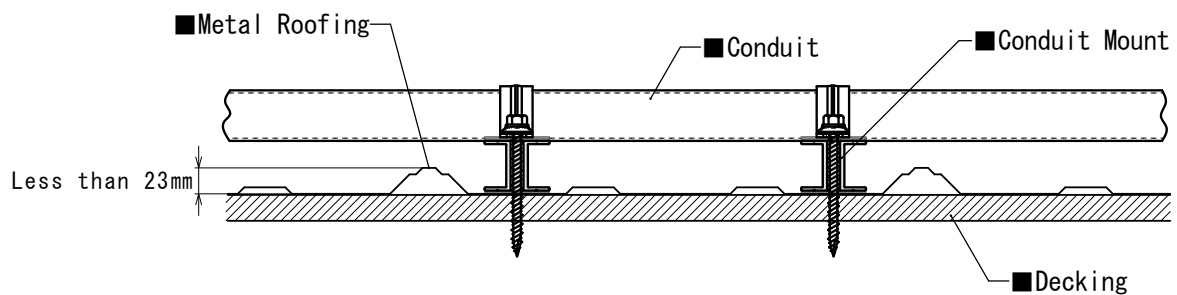
- Henry : 208R, 209, 925 (Black)
- Geocel: S2, S4 (Black)
- Sashco : Through the Roof
- Boss : 125 (Black)
- Top Industrial: Rain Buster 850, 900
- Chem Link: M1
- NPC Solar Seal 900
- GE All Purpose 100% Silicone



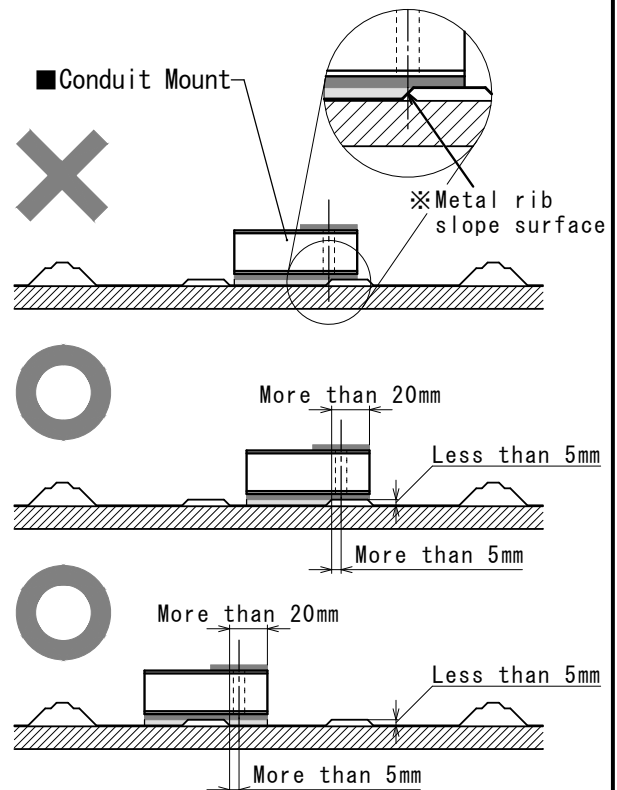
Installation on a Metal Roofing

! Attention

Can be installed on metal roofs with decks.
Seam height of metal roofing shall be less than 23mm.

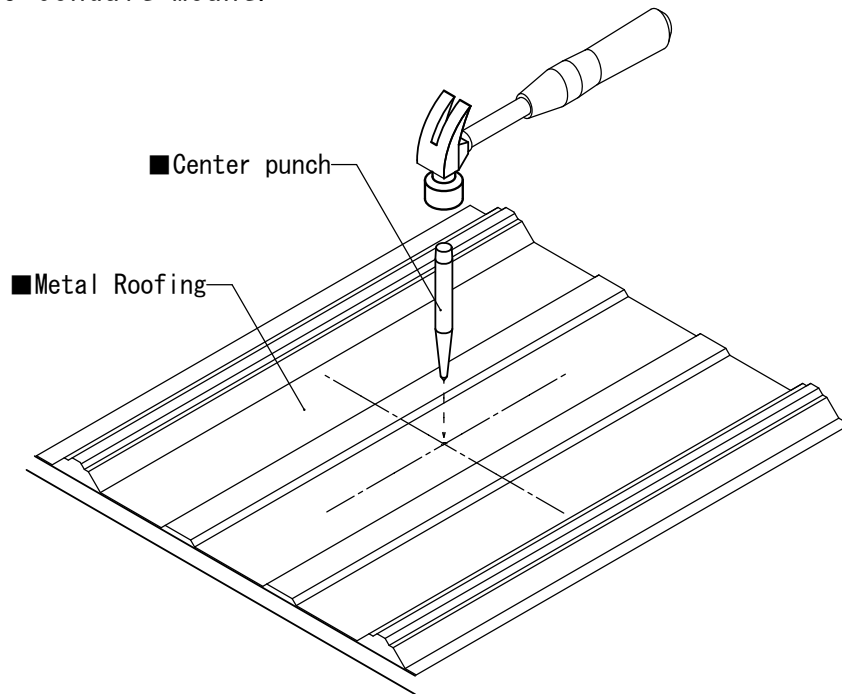


The Conduit Mount must be mounted on the flat surface. Please make sure the location is not on slope surface of metal ribs. Screw must be fixed to the flat surface. Also, its center must clear 5mm from the edges (Please refer to the 3 pictures on the right.) 20mm from the mounting edge of the conduit mount clears the 5mm from the center of the screw to the edge of the metal rib profile. When crossing over ribs, the height of the ribs is 5mm or less.

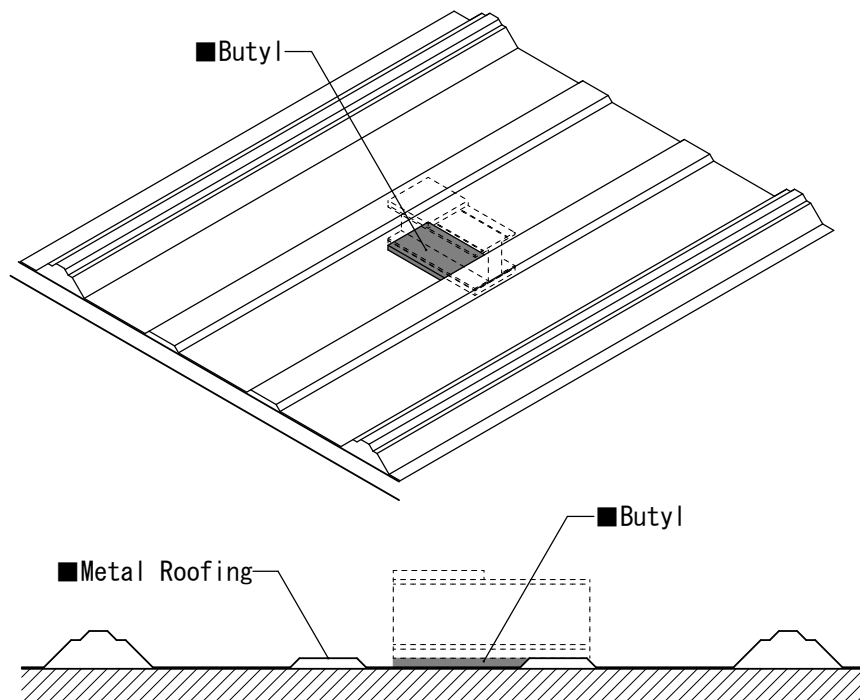


Mount Installation Installation on a Metal Roofing

- ① Use center punch to make a pilot hole at the mounting location of the Conduit Mount.



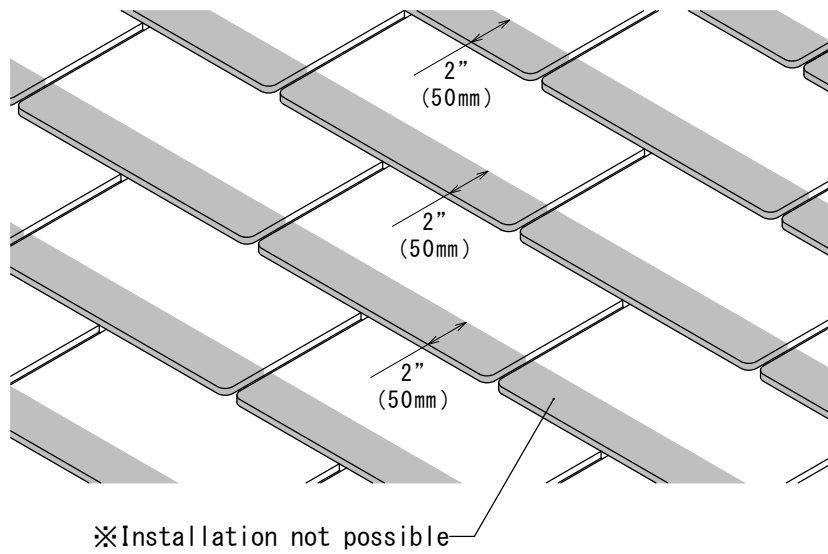
- ② If the Conduit Mount overlaps the roof ribs, modify and use the height-adjusting butyl to fill the recess. Butyl should be cut and used.



Installation on a Composite Slate

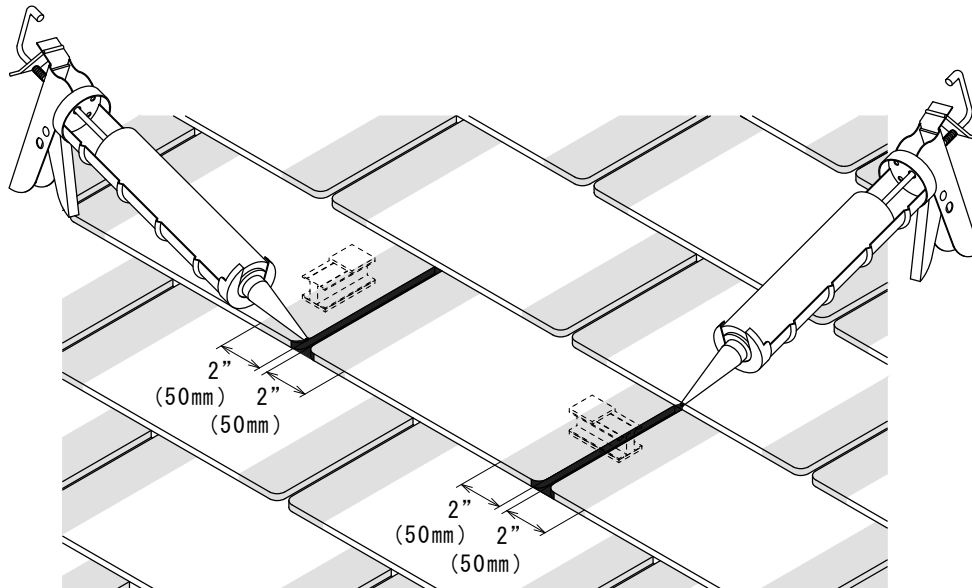
! Attention

Minimum clearance between mounting screws and the edge of the Composite Slate shall be 2" (50 mm).



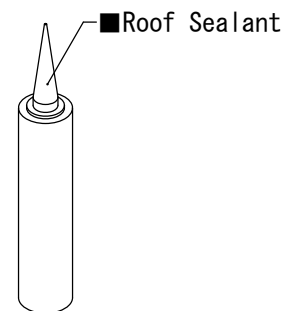
! Attention

If the Conduit Mount is installed within 2" (50 mm) of a gap or crevice in the roof surface, the gap has to be filled with sealant or butyl as shown in an image below.



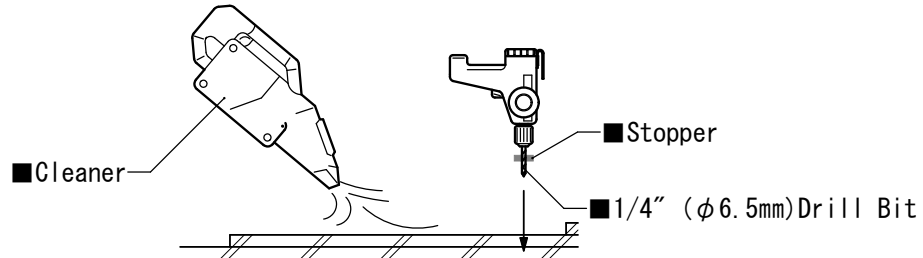
【Roof sealant recommended products】

- Henry : 208R, 209, 925 (Black)
- Geocel: S2, S4 (Black)
- Sashco : Through the Roof
- Boss : 125 (Black)
- Top Industrial: Rain Buster 850, 900
- Chem Link: M1
- NPC Solar Seal 900
- GE All Purpose 100% Silicone



Mount Installation Installation on a Composite Slate

① Drill a $\phi 1/4''$ ($\phi 6.5$ mm) pilot hole at the mounting location.



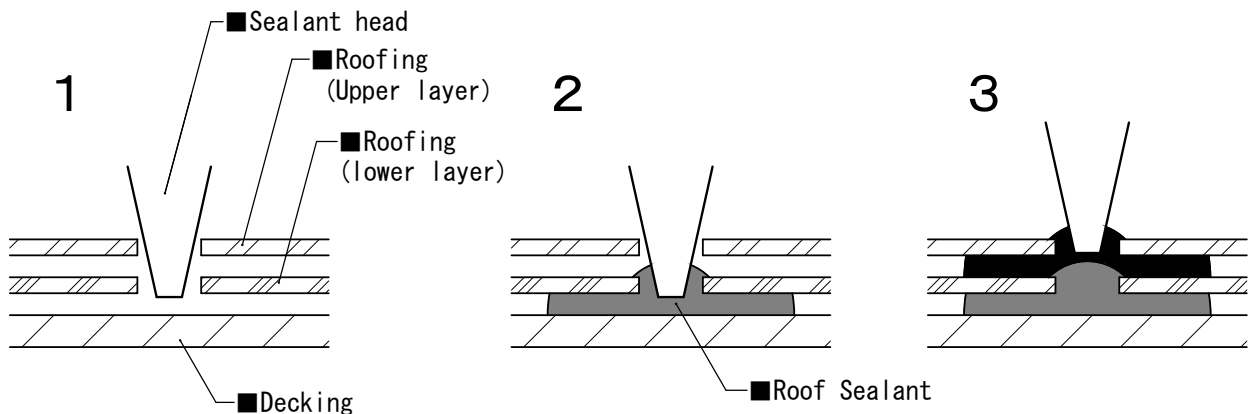
Note : It is easier to manage drill depth by using any stopper on the drill bit. Please make sure to use stopper to drill through the layer of roofing material only. Do not to drill all the way to the wood deck or underlayment.

! Attention

You must avoid drilling into the wood underneath it.

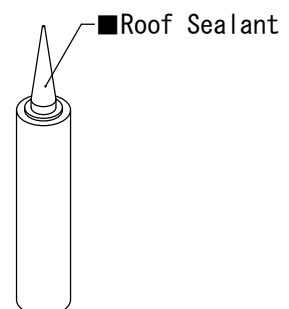
② Fill the cavity with a sealant.

The sealant must be flush with the slate surface.



【Roof sealant recommended products】

- Henry : 208R, 209, 925 (Black)
- Geocel: S2, S4 (Black)
- Sashco : Through the Roof
- Boss : 125 (Black)
- Top Industrial: Rain Buster 850, 900
- Chem Link: M1
- NPC Solar Seal 900
- GE All Purpose 100% Silicone



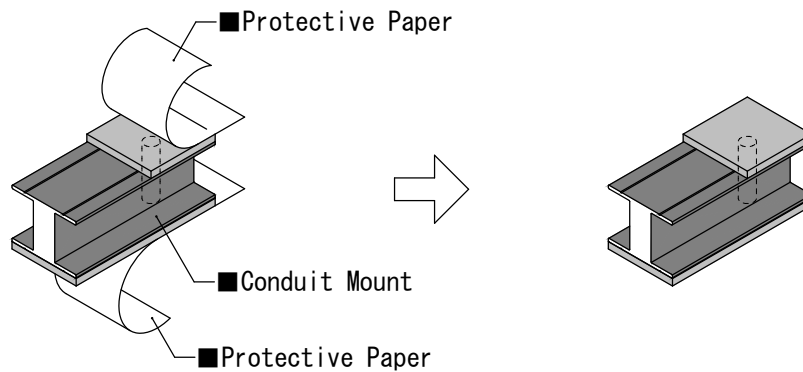
Installation of on Other Roofing Materials

The Conduit Mount can also be installed on single ply membranes (SBS, EPDM, TPO) with wooden decking.

Installation of Conduit Mount

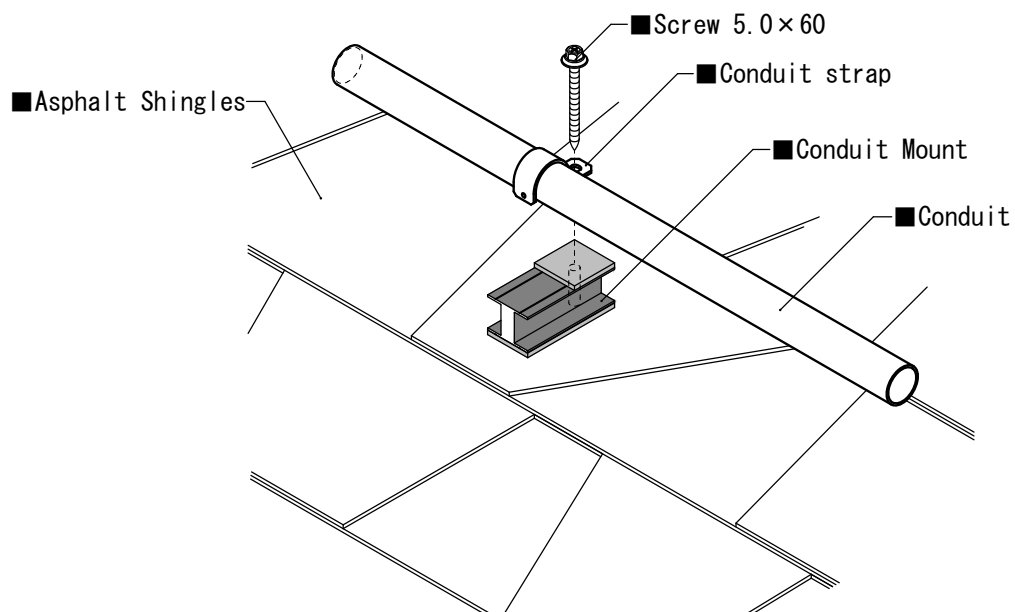
1) For a conduit strap,

① Peel off the protective papers from the Conduit Mount.



② Attach a conduit to the conduit strap, and fasten the strap to the Conduit Mount with Screw 5.0 × 60.

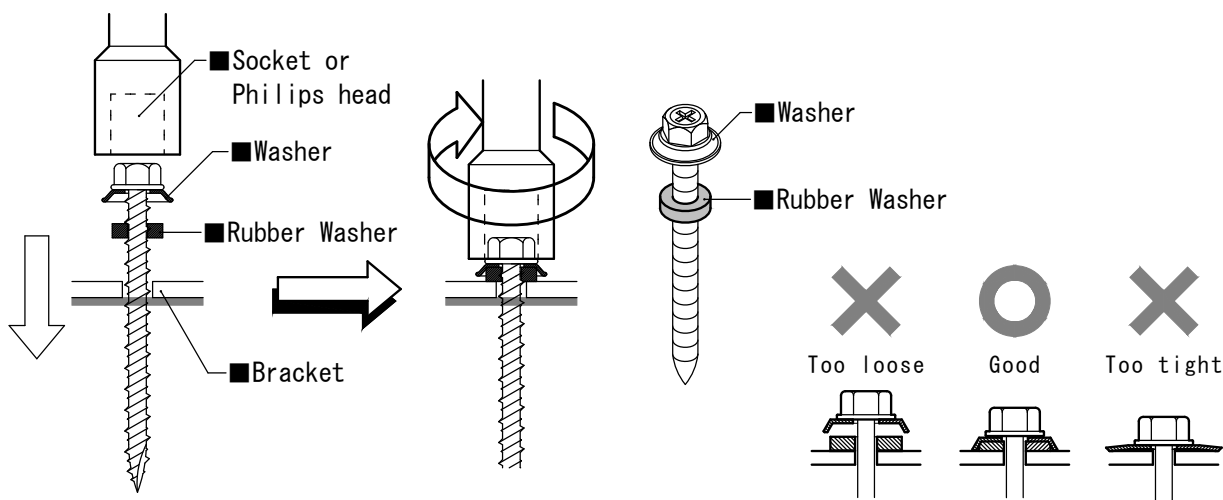
※ There is a mounting hole underneath the center of the top butyl.



! Attention

Note: Proper torque values for the Screw 5.0×60 will vary depending on the rafter's and/or the deck's characteristics; hardness, age, and moisture of the wood.

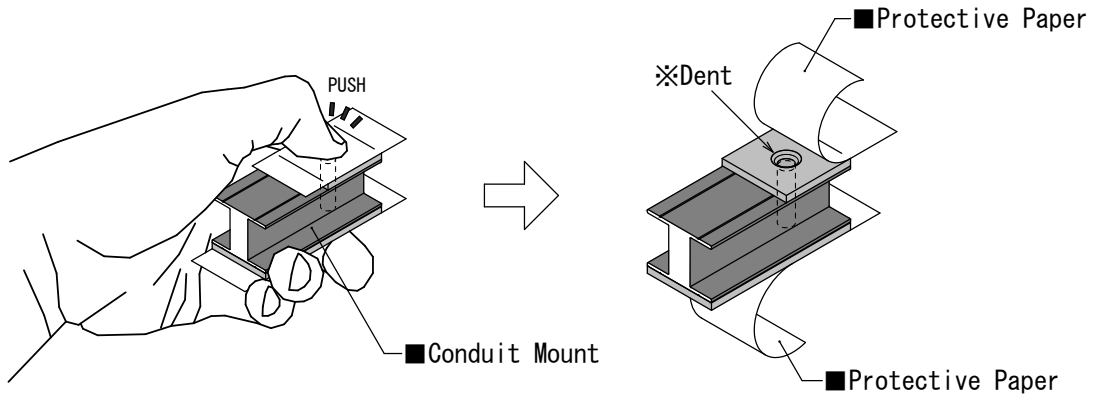
Tighten until the washer stops rotating freely.



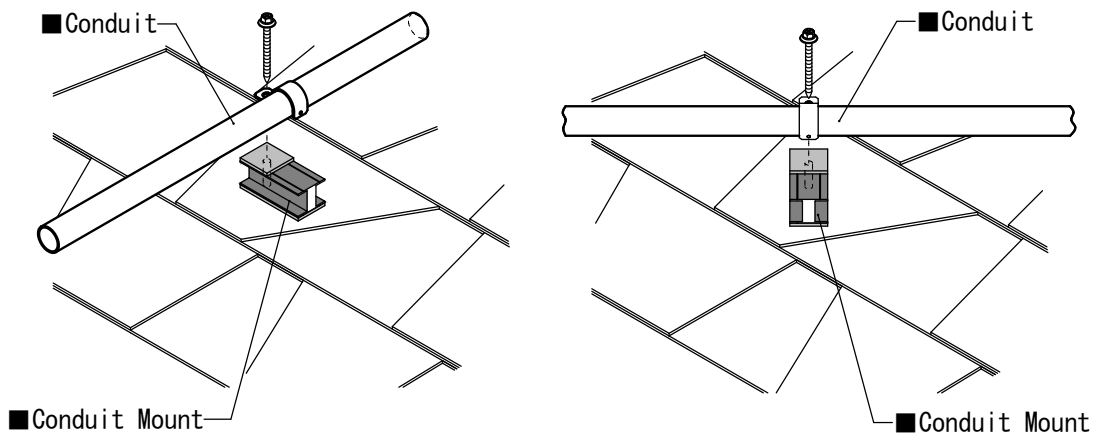
Avoid using an impact driver as it can over torque the screws or even snap off the head.

! Attention

If the hole cannot be located, then push the center of the top butyl with a finger to locate the hole.



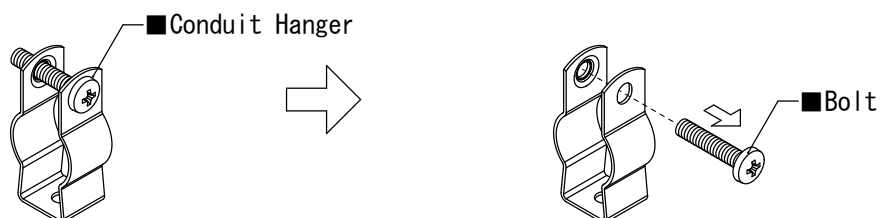
Make sure the Conduit Mount properly aligns with the conduit.



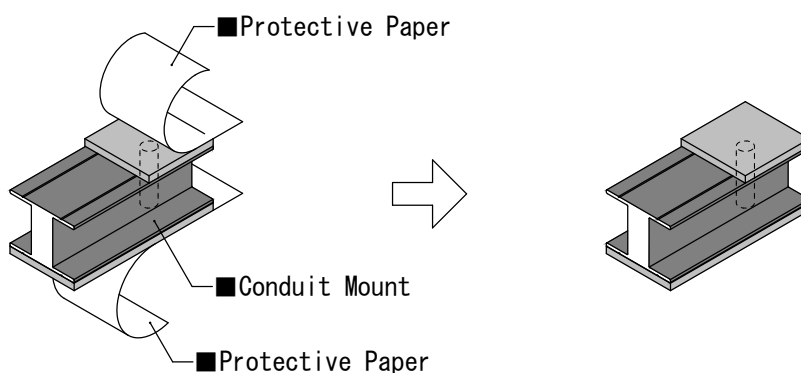
Mount Installation Installation of Conduit Mount

2) For a conduit hanger,

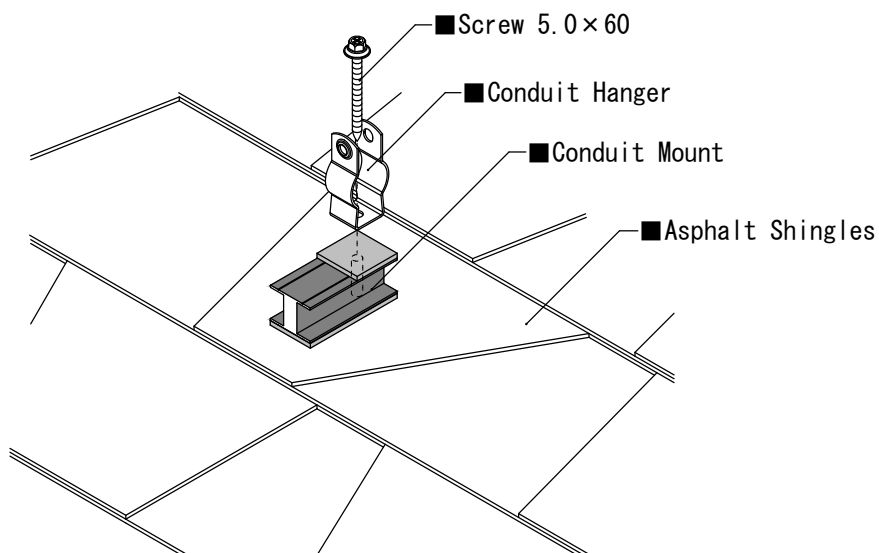
① Remove the bolt from the conduit hanger.



② Peel off the protective papers from the Conduit Mount.

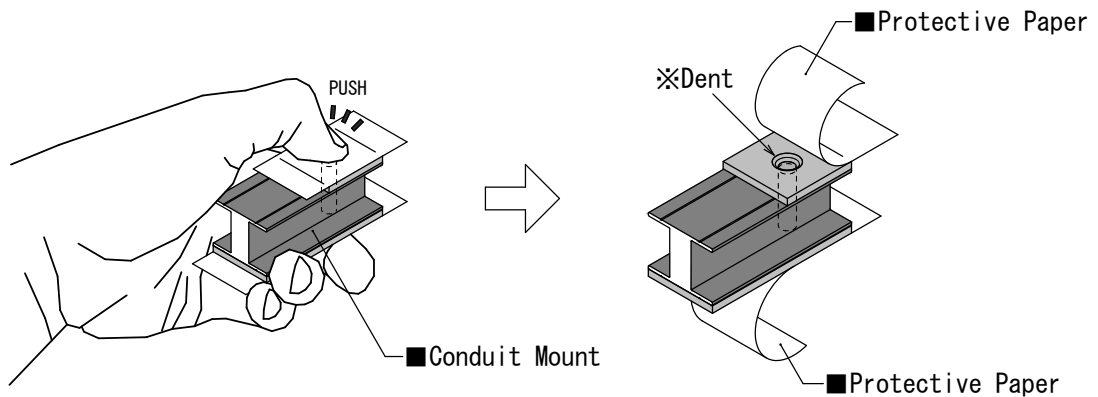


③ Fasten the conduit hanger and Conduit Mount with Screw 5.0 × 60.
Refer to page 15 regarding the torque of the screw.

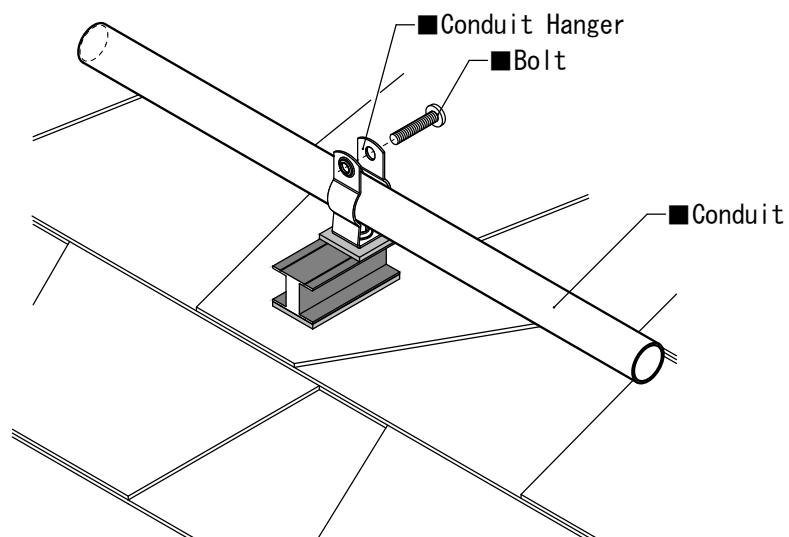


! Attention

If the hole cannot be located, then push the center of the top butyl with a finger to locate the hole.



④ Place a conduit in the conduit hanger, and fasten with a bolt.

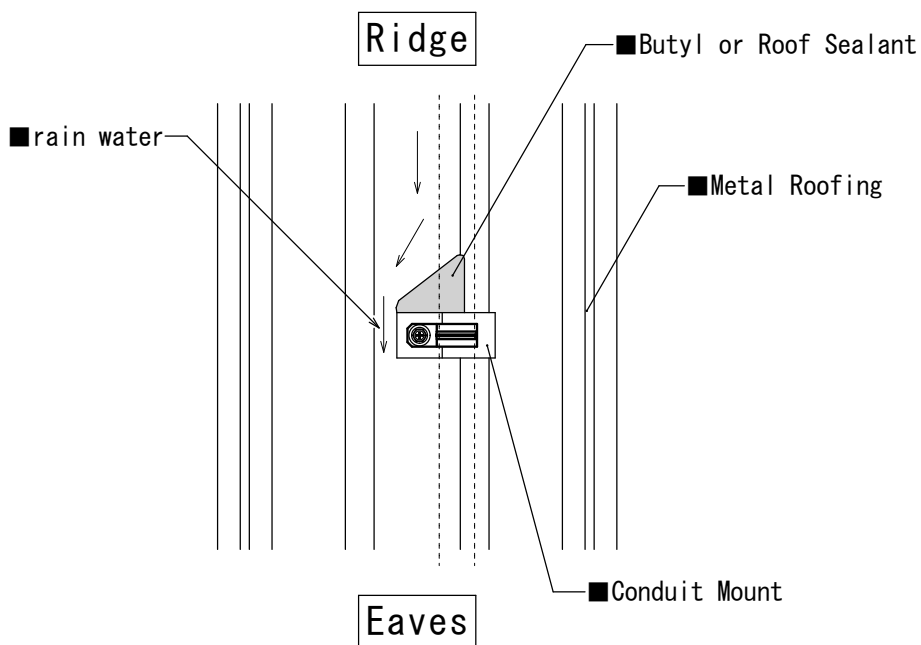
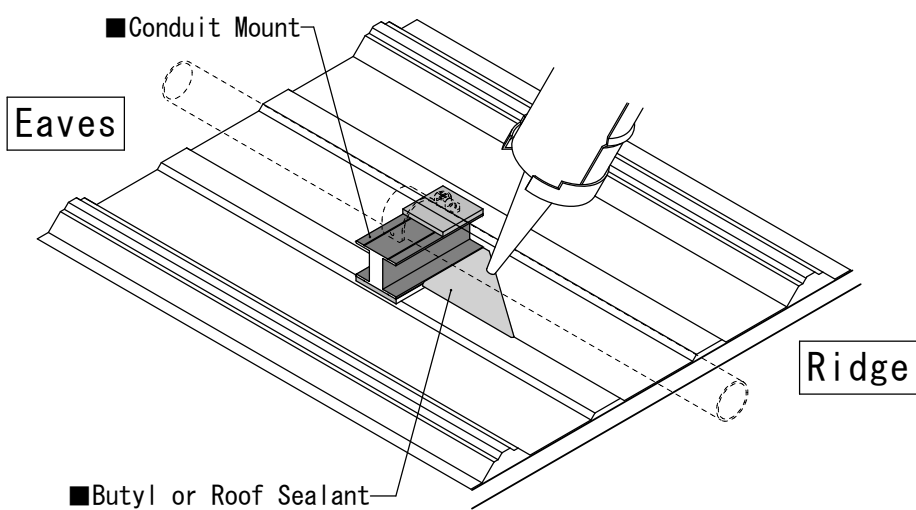


3) Butyl or Sealant application

If the Conduit Mount overlapped metal roof ribs, apply butyl or roof sealant on the ridge side of the Conduit Mount to form a roof cricket.

Optional is the sealant to each side of Conduit Mount.

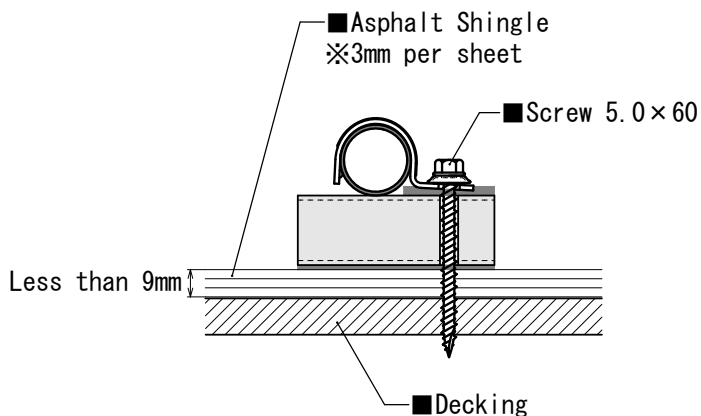
Do not apply butyl or sealant to the bottom of the Conduit Mount.



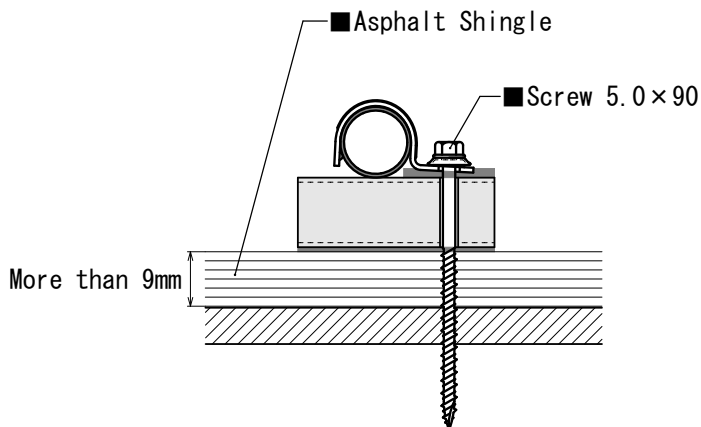
Mount Installation Installation of Conduit Mount

4) Other

- One Asphalt Shingle is 3mm. It can be used up to total of 9mm.



- If the total Asphalt Shingle thickness exceeds 9mm, then use Screw 5.0 × 90.



- If the Conduit Mount is attached to a rafter, then use Screw 5.0 × 90.

