

The right way to attach almost anything to metal roofs!

S-5![®]

The Right Way!

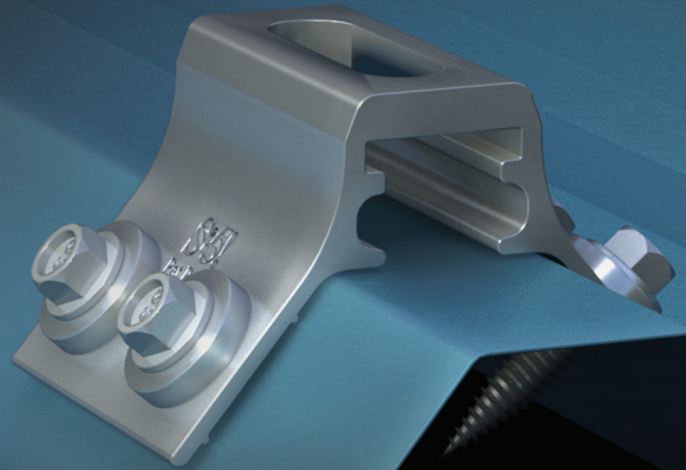
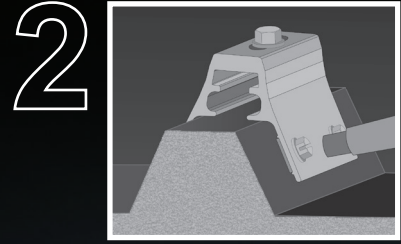
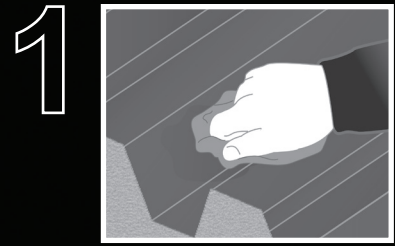
RibBracket[™]

RibBracket[™] can be used to mount almost anything onto the most common exposed-fastened, trapezoidal roof profiles marketed in North America today. No messy sealants to apply! No chance for leaks! The RibBracket comes with a factory-applied EPDM rubber gasket seal already on the base, and the S-5![®]-patented reservoir conceals the EPDM from UV exposure, preventing drying and cracks.

Installation is simple! The RibBracket is mounted directly onto the crown of the panel, straddling the profile. No surface preparation is necessary; simply wipe away excess oil and debris, align, and apply. Secure through the pre-punched holes using the appropriate fasteners or Bulb-tite rivets for the supporting roof material.

RibBracket is the perfect match for our S-5-PV Kit, or any other ancillary application, without worrying about cold bridging! RibBracket is extremely economical and facilitates quick and easy installation.

The slotted top hole, which accommodates standard M8 nuts and bolts, simplifies alignment and maximizes flexibility in attaching ancillaries.



S-5![®] RibBracket[™] is the right way to attach almost anything to select exposed-fastened, trapezoidal roof profiles, including PV through DirectAttached[™] or rail methods.

888-825-3432 | www.S-5.com |  RibBracket[™] and RibBracket[™] Mini

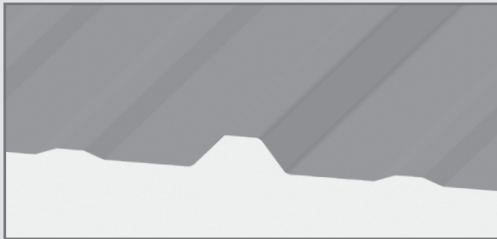
S-5![®]

The Right Way!

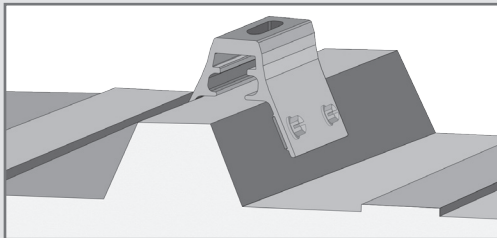
RibBracket™ is the perfect attachment solution for specific North American trapezoidal, exposed-fastened metal roofs! It can be used for almost any attachment need. No messy sealants to apply. The factory-applied EPDM rubber gasket weather-proofs and makes installation easy!

Each RibBracket™ comes with a factory-applied EPDM rubber gasket on the base. A structural aluminum attachment bracket, RibBracket is compatible with most common metal roofing materials and many North American trapezoidal profiles. For design assistance, ask your distributor, or visit www.S-5.com for the independent lab test data that can be used for load-critical designs and applications. Also, please visit our website for more information including metallurgical compatibilities and specifications. S-5![®] holding strength is unmatched in the industry.

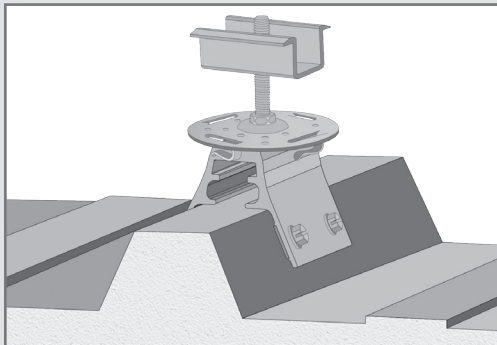
Example Profile



Example Applications

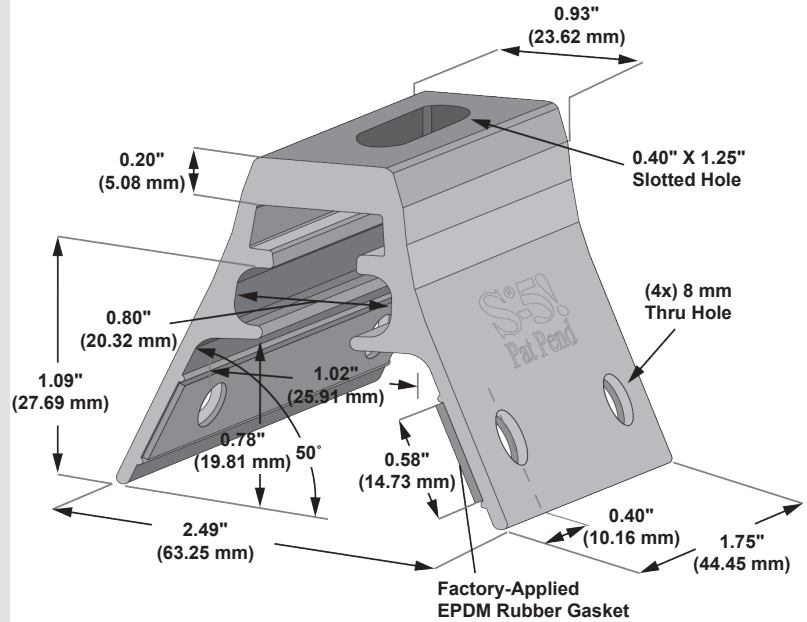


All pre-punched holes must be used to achieve tested strength. Fasteners included.

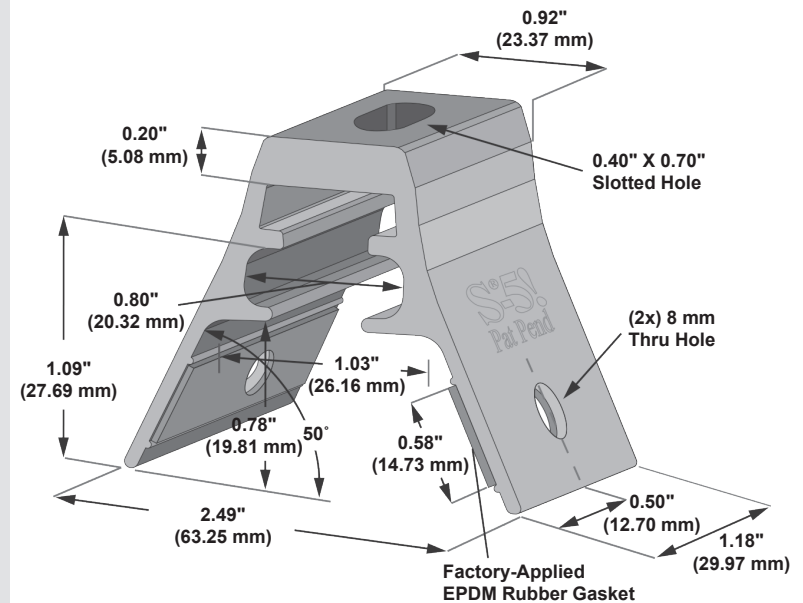


The above illustration demonstrates the RibBracket with the S-5-PV Kit attached.

RibBracket™



RibBracket™ Mini



S-5![®] Warning! Please use this product responsibly!

Products are protected by multiple U.S. and foreign patents. For published data regarding holding strength, fastener torque, patents, and trademarks, visit the S-5! website at www.S-5.com.

Copyright 2015, Metal Roof Innovations, Ltd.
S-5! aggressively protects its patents, trademarks, and copyrights. Version 040716.

Distributed by



BayWa r.e. Solar Systems Inc.

4703-101 Street NW, T6E 5C6
Edmonton, AB

Tel: +1 844 851 2390

solardistribution@baywa-re.ca