

FOM SE-A2

External Datalogger/Gateway

Features:

- Simultaneous connection to the Solis O&M cloud and third-party controller
- Up to 32 hardware connections
- Connection to external meters and weather sensors
- Built-in energy meter with SE-A2-E
- Reserved space and wiring for WattNode RGM^(a)
- Export Power Management (EPM) ready
- MODBUS RTU and TCP/IP connections
- Built-in Ethernet and WiFi connectivity
- Optional 4G Cellular connectivity with SE-A2 USCell-532
- NEMA 4X Enclosure for outdoor installations



Models:

- FOM SE-A2
- FOM SE-A2-E⁽¹⁾
- SE-A2 USCell-532⁽²⁾

⁽¹⁾ With EPM kit

⁽²⁾ With 5 year 4G cellular plan

^(a) WattNode RGM supplied by the customer

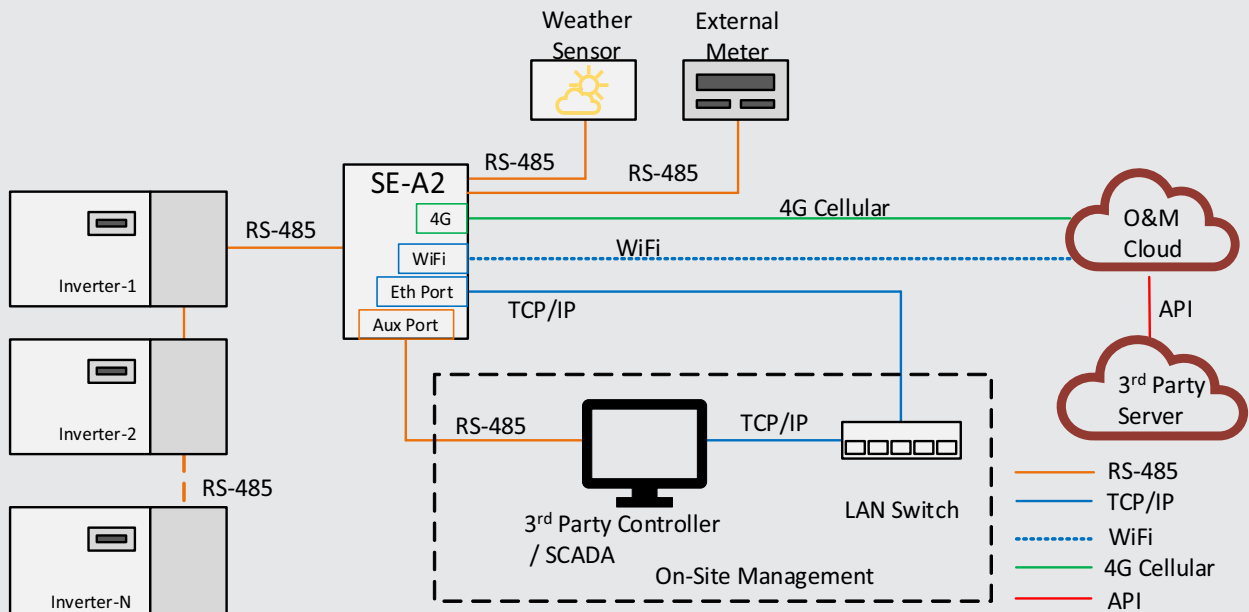


Diagram shows the SE-A2 with an external meter connection. SE-A2-E comes with a built-in energy meter

DATASHEET

Models	FOM SE-A2
Input AC	
Input Voltage Range	2P2W-277VAC / 3P4W-480VAC
Input Wire Size	16-22 AWG
RS485 HUB	
Number of Ports	1 (5- pole terminal block)
Number of Connected Hardware	Up to 32
Protocol / Mode	MODBUS RTU / Master
Termination for Rs485	120 ohms
Isolation	5 kV
Aux Interface	
Number of Ports	1 (3 - pole terminal block)
Protocol / Mode	MODBUS RTU / Slave (RS485 pass-thru)
Termination for RS485	120 ohms
Isolation	5 kV
MODBUS TCP	
Mode	Server (Slave)
Max Number of Clients	10
Ethernet Interface	
10/100 Base TX Ports	1 (RJ45 connector)
Protocol for Cloud Applications	MQTT
SCADA controllers on the Same LAN Subnet	MODBUS TCP
WLAN Interface	
WLAN Standards	802.11 b/g/n
Frequency Band	2.4 Ghz
Wireless Security	WEP, WPA/WPA2
Antenna	Built-in
Bluetooth Interface	
Bluetooth Standard	BLE 4.2
Antenna	Built-in
Optional Cellular Interface	
Cellular Standards	LTE-FDD/LTE-TDD
Number of SIM Slots	1
Cellular Antenna Connectors	1 SMA female
Data Plan	5-year standard

DATASHEET

Models	FOM SE-A2
Other Features	
Export Power Management Function	Yes
Built-in Energy Meter - EPM Kit	Yes (SE-A2-E option only)
External Meter Connection	Yes
External Weather Sensor Connection	Yes
Environmental	
Operating Temperature	-30 C to 85 C, Natural convection
Storage Temperature	-40 C to 85 C
Ambient Relative Humidity	5 to 85% (Non-condensing)
Environment Rating	NEMA Type 4X
Mechanical	
Dimensions (L x W x D)	23.62 x 14.57 x 7.48 in (600 x 370 x 190 mm)
Weight	30.86 lb (14 kg)
Installation Options	Wall or Pole Mounting
Compliance	
RoHS	IEC 62321, (EU) 2015/863
CE-EMC	EN 55032 / 55035, EN 6100-3-2/-3-3
CE-RED	EN 301 908 / 300 328, EN 301 489-1/-17/-52, EN 62368-1
CE-LVD	EN 62368-1
FCC	SDoC Part 15B, ID Part 15C
Production Metering (EPM Kit)	ANSI C12.20 accuracy class 0.5
Consumption Metering (EPM Kit)	Accuracy class 2.5