

Check the site for pole or wall mounted installation.

1

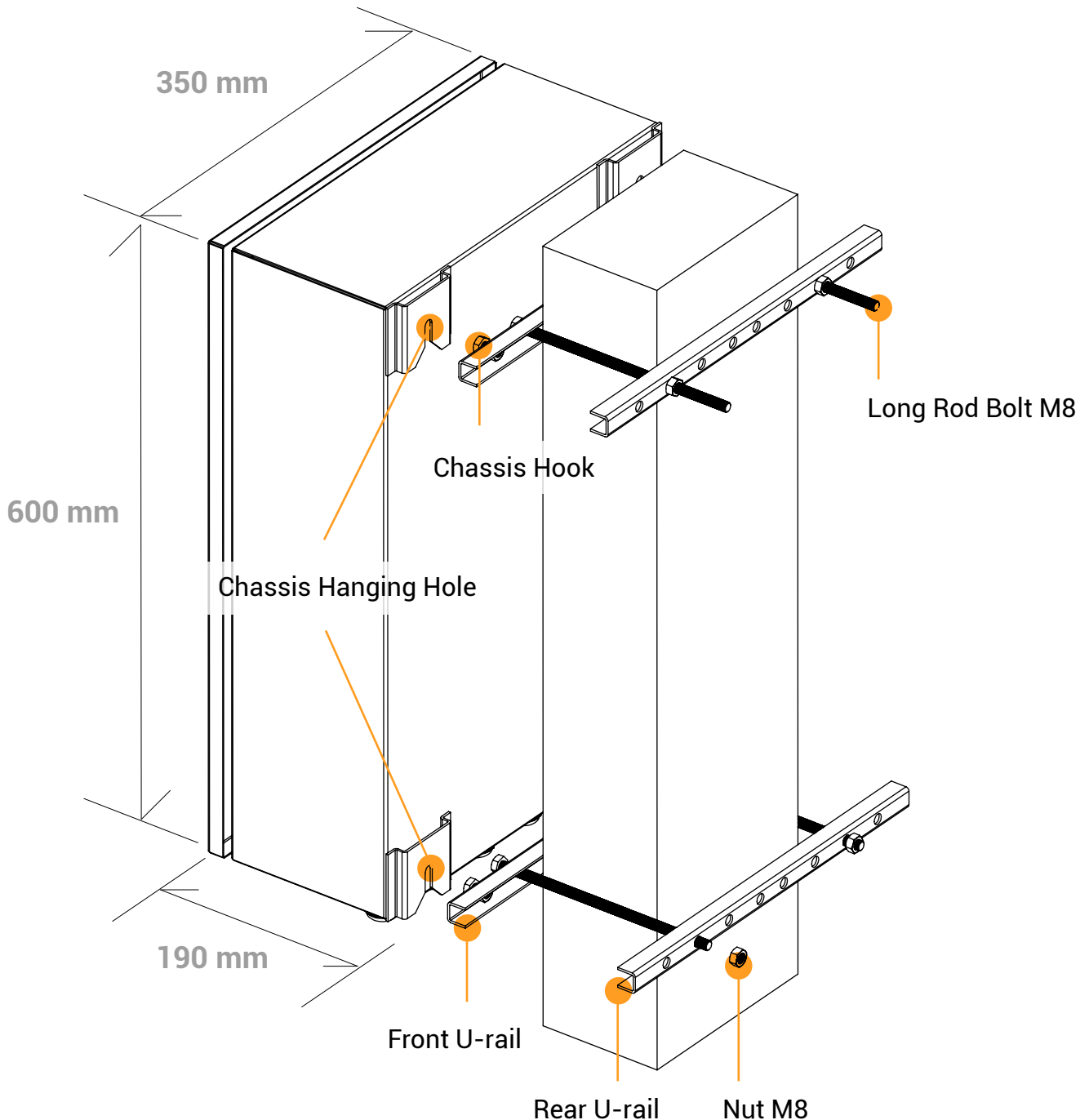
Pole mounting requires two U-Rails, front and rear, secured by Long Rod Bolt.

## How to Install Chassis SE-A2-E (Packing List)

Revision 24.9



FOMware

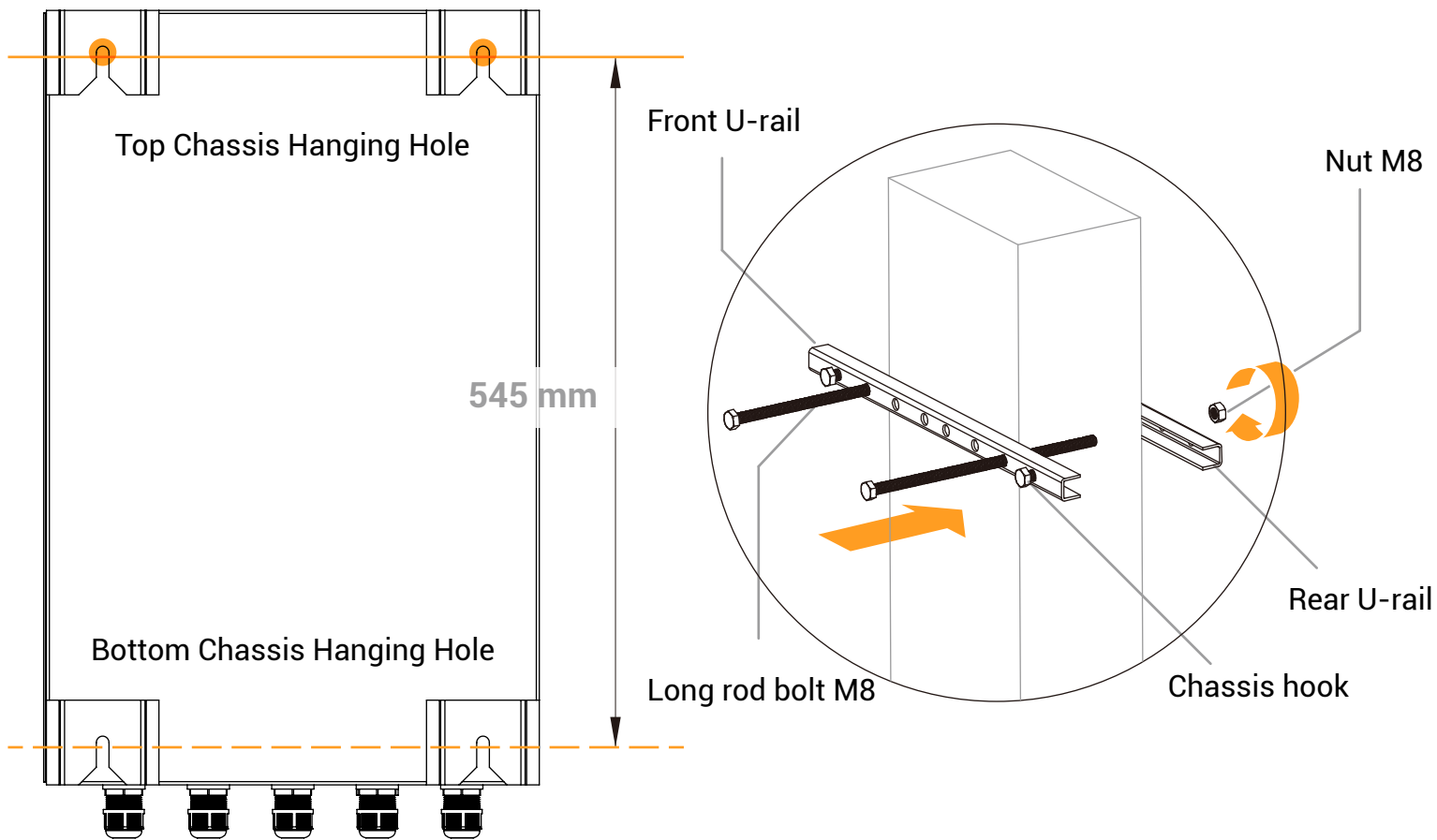


### Safety Precautions

Before proceeding, read through the information in these instructions and recommendations and observe all precautions to prevent accidents.

The safety precautions provided in this document do not cover all safety precautions.

FOMware assumes no responsibility for the consequences of violating safety practices and design, production, and use standards.

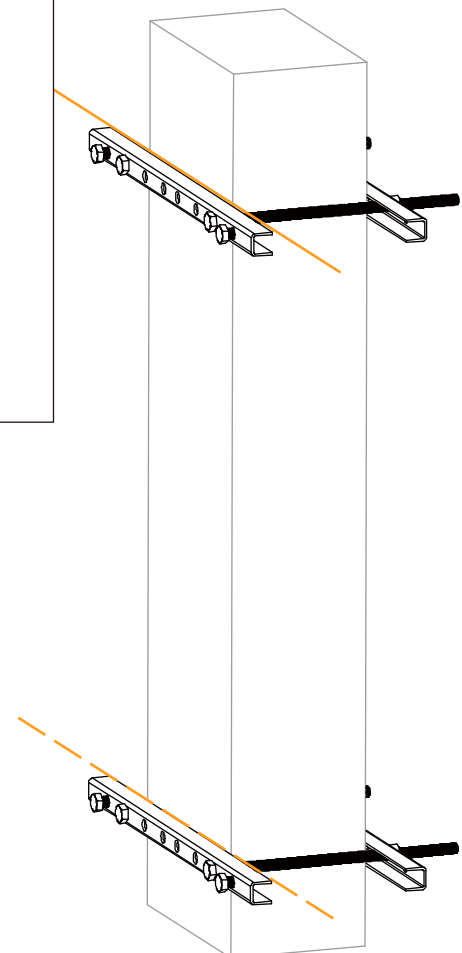
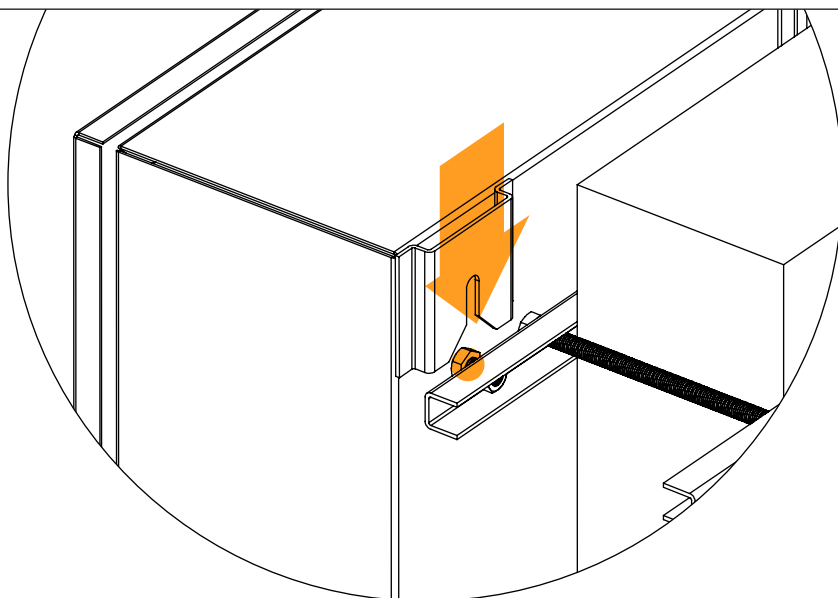


Determine the mounting height of the top Chassis Hanging Hole, then secure the front and rear U-rail to the target location.

The bottom chassis hanging hole is approximately 545mm from the top.

Align the Chassis Hanging Hole with the Chassis Hook on the U-rail. then hang the chassis on the mounting bracket.

2



External Hex Drive Washer Head Screws  
+ Metal Gasket



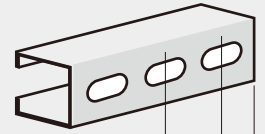
HEX Bolts 1/4 inches



Spring Nut



Half Slot Channel 1<sup>5</sup>/<sub>8</sub> X 1<sup>5</sup>/<sub>8</sub> inches



2 inches

3.9 inches



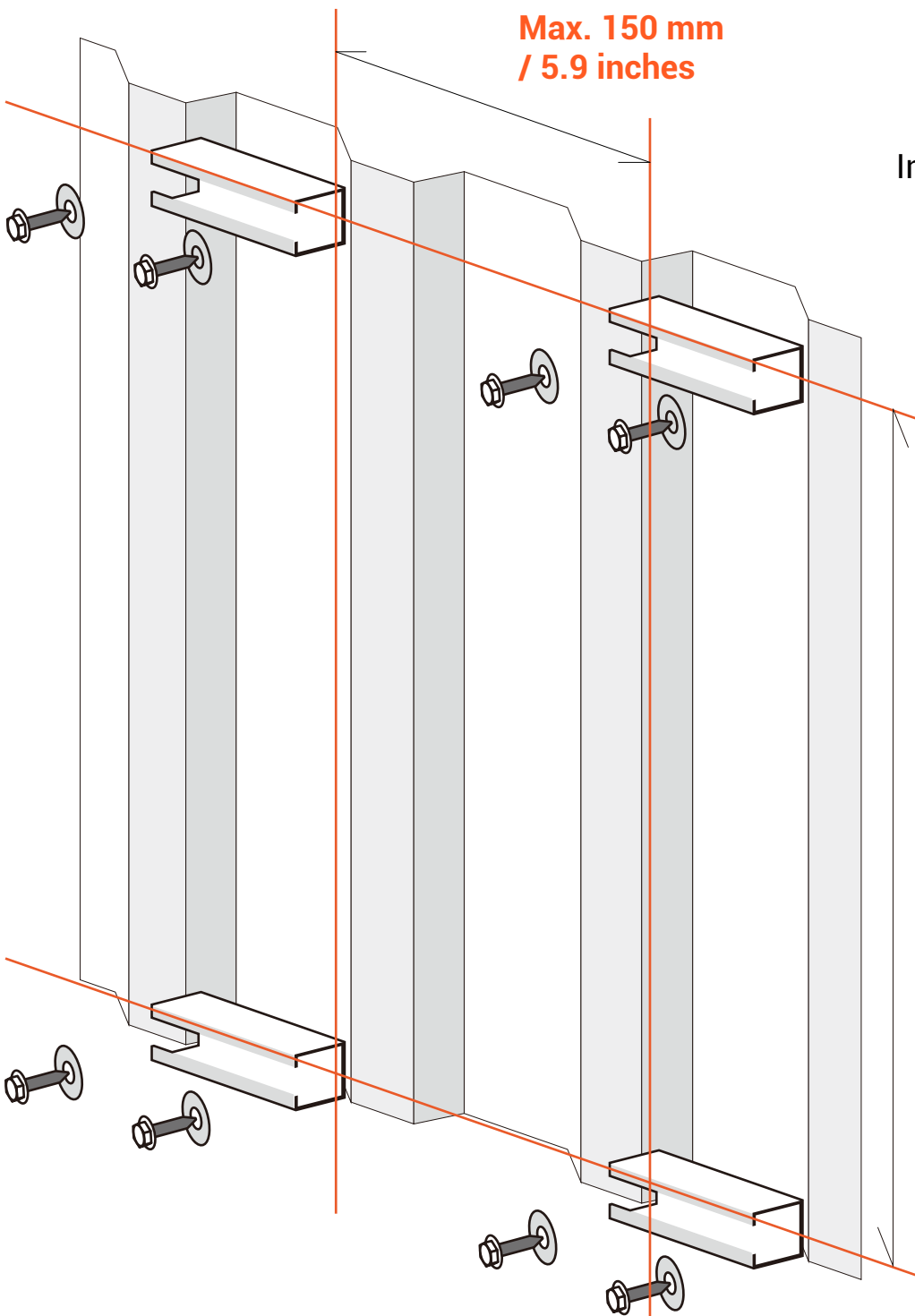
Recommended installation method.

The materials shown in this picture need to be prepared by the installer.

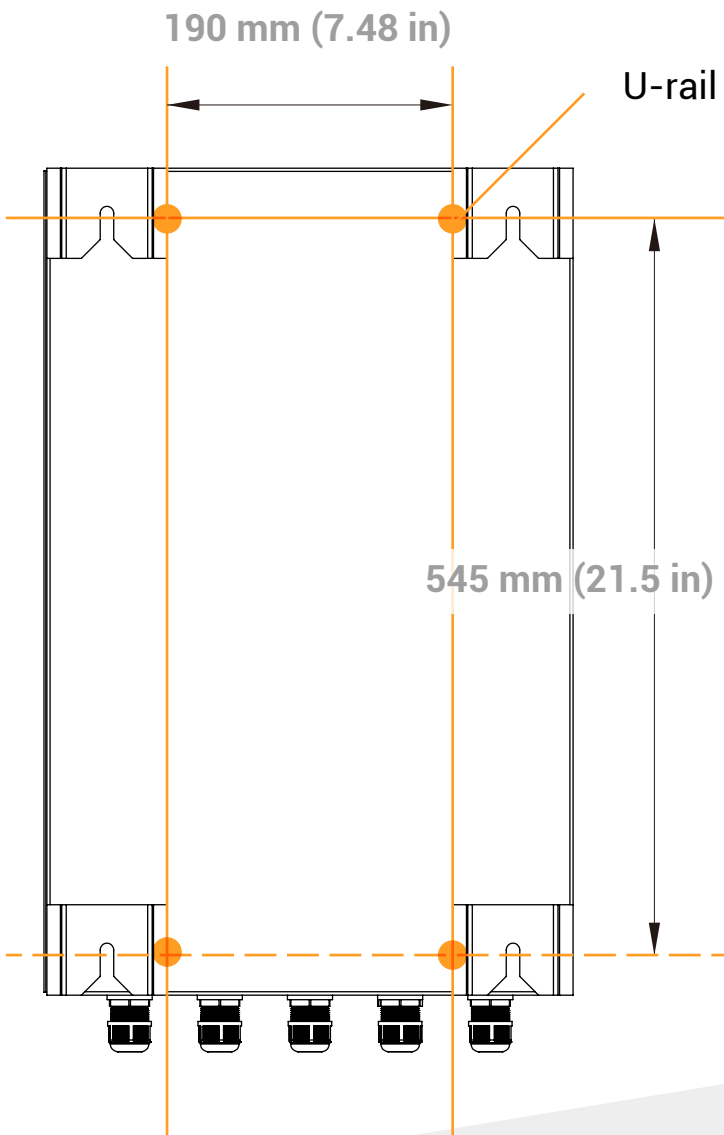
Max. 150 mm  
/ 5.9 inches

Wall Mount- 1

Installing the slot channel



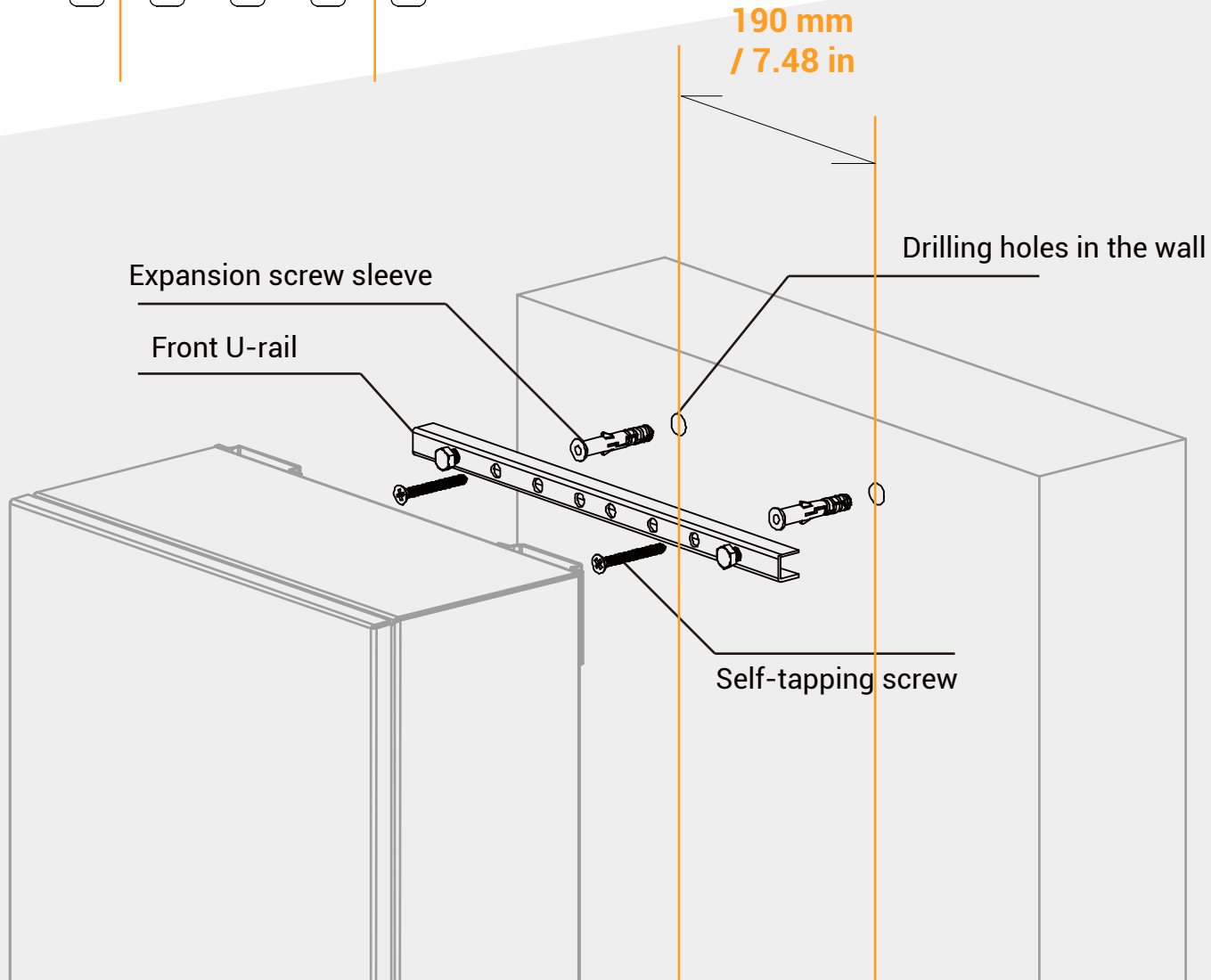
545 mm  
/ 21.5 inches

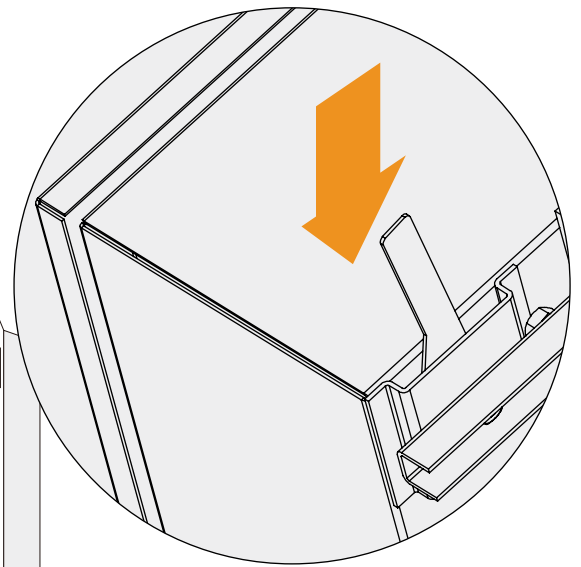
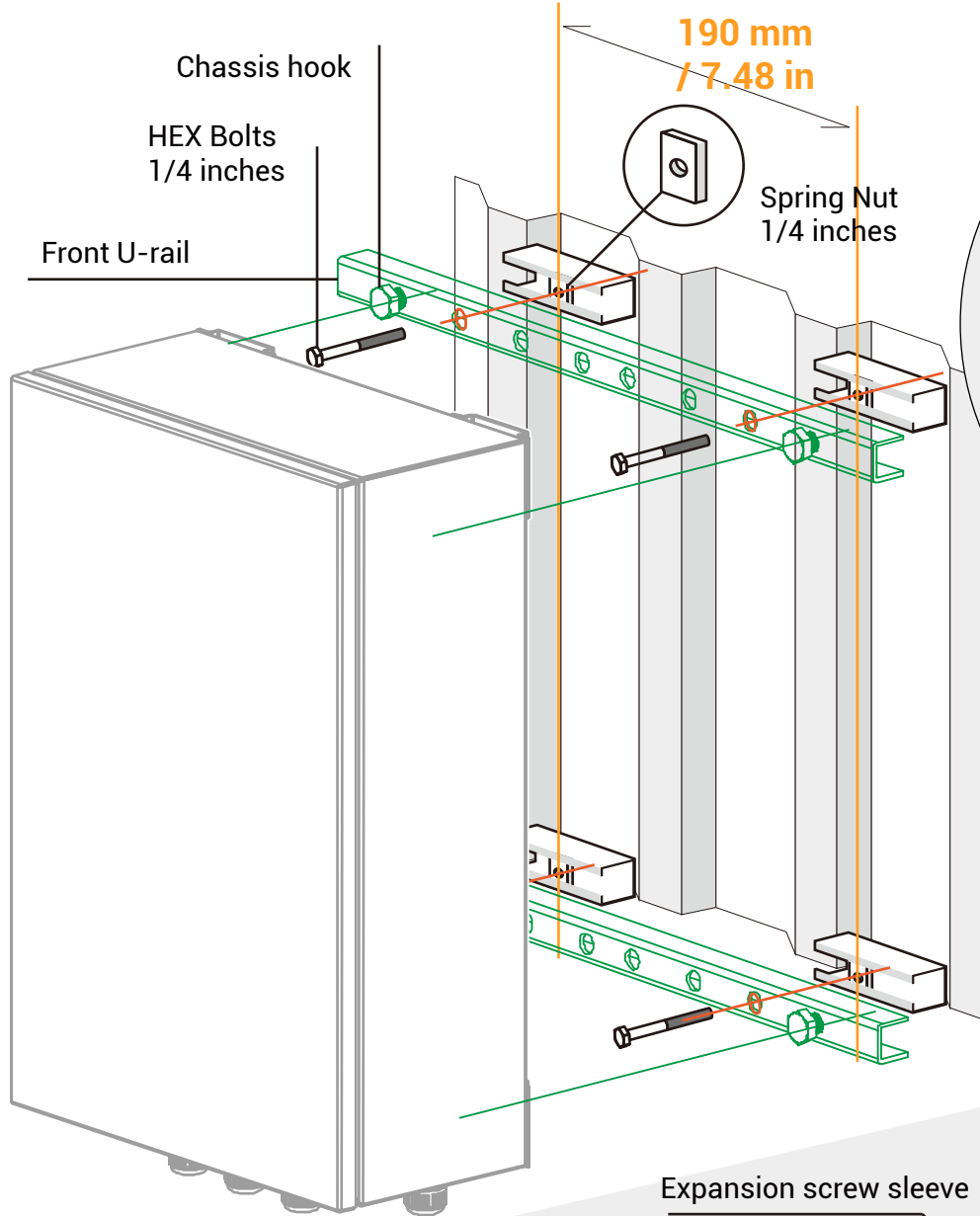


The U-rail can be used as a tool for determining the position of openings.

Drilling holes in concrete walls

**Wall Mount- 2**





Use a wrench to adjust the hook screw to fasten the chassis to the bracket.

3

Align the Chassis Hanging Hole with the Chassis Hook on the U-rail. then hang the chassis on the mounting bracket.

