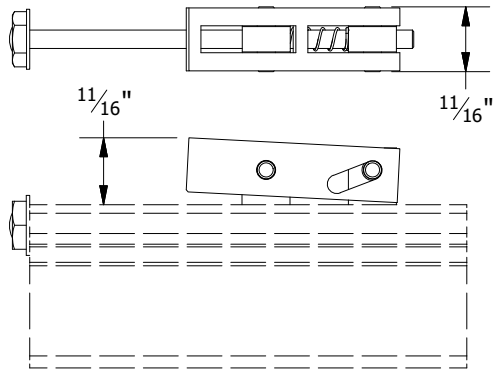
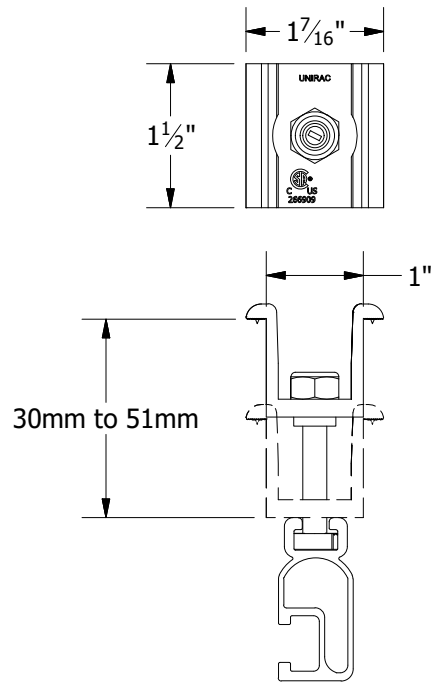


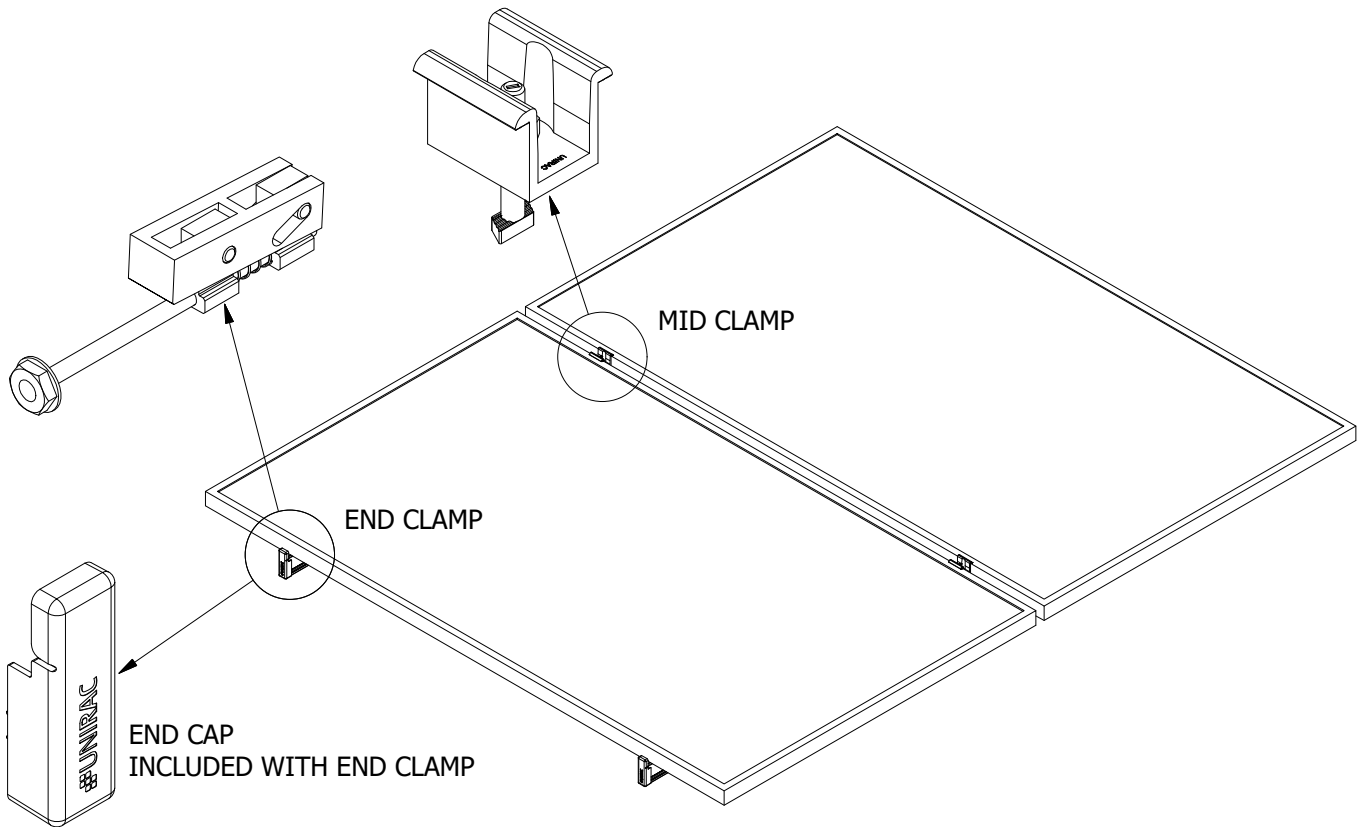
**PRO SERIES END CLAMP**



**PRO SERIES MID CLAMP**



PART # TABLE	
P/N	DESCRIPTION
302035M	SM END CLAMP ASSEMBLY, MILL
302030M	MID CLAMP ASSEMBLY, MILL
302030D	MID CLAMP ASSEMBLY, DRK



1411 BROADWAY BLVD. NE  
 ALBUQUERQUE, NM 87102 USA  
 PHONE: 505.242.6411  
 WWW.UNIRAC.COM

PRODUCT LINE:	SOLARMOUNT
DRAWING TYPE:	PART & ASSEMBLY
DESCRIPTION:	BONDING CLAMPS
REVISION DATE:	9/14/2017

DRAWING NOT TO SCALE  
 ALL DIMENSIONS ARE  
 NOMINAL

PRODUCT PROTECTED BY  
 ONE OR MORE US PATENTS  
 LEGAL NOTICE

**SM-A07**

SHEET