

June 29, 2020

END OR MID CLAMP

Ø5/16 HEX HEAD BOLT

Solar Module

RAPID RAIL

K-NUT

Ø5/16 SS WASHER 4x

Ø5/16 SS LOCK WASHER 4x

Ø5/16-18 x 7/8" HEX HEAD SS BOLT

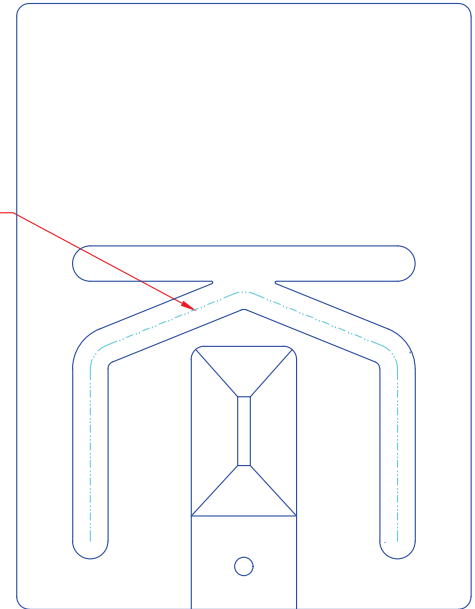
"L" BRACKET

Ø5/16-18 SS HEX NUT

K-FLASH™

BASE PLATE

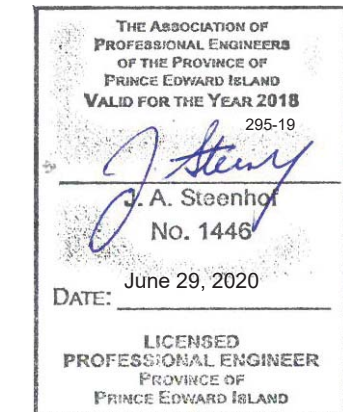
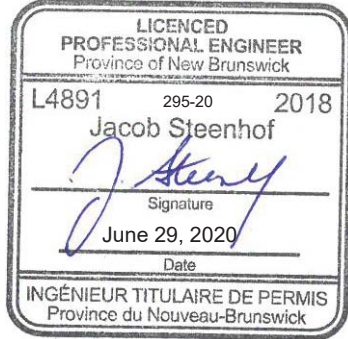
APPLY A BEAD OF 925 BES SEALANT TO UNDERSIDE



K-FLASH™ TOP VIEW

ASHPHALT SHINGLE

Engineer's Seal below applicable to solar racking only



EXISTING ROOF SHEATHING

EXISTING RAFTER, TRUSS OR REINFORCING MEMBER

4" EJOT Self Drilling Screw ST-031-10 or equivalent



K-RACK™ typical attachment point for asphalt shingle roof mount up to 48" rafter centers with K-FLASH™

Address: 1-65 Martin Ross Ave.	
Toronto, Ontario, M3J 2L6	
Phone: 416-665-3755	Date: JUN 2020
Installed by:	Drawn by: JOSH W.

Note: This assembly sketch is for illustration purposes only. Please contact your P.Eng for exact number of attachment points.